

# *Mobile Commode chair*



Yes, you can.®



### Invacare **H720T**

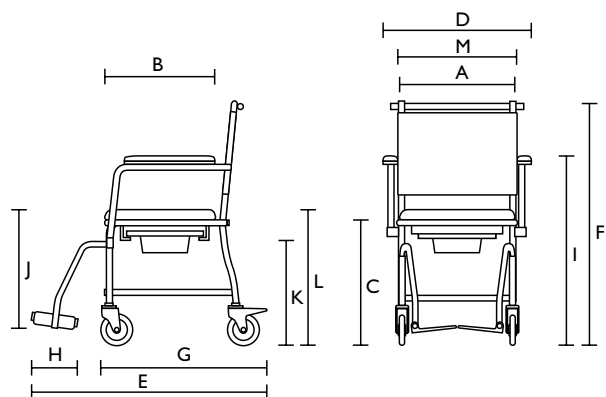
- Stable, robust frame made from powder-coated steel tube
- High corrosion protection
- Space-saving push bar for optimal positioning over the toilet
- Swing-away armrests and swing-away, detachable footrests make conversion easy
- Stable commode seat with integrated toilet pan holder

## Technical data

For more comprehensive pre-sales information about this product, including the product's user manual, please see your local Invacare website.

Order numbers	Invacare <b>H720T</b>
Commode chair, mobile	1525770

Dimensions	
Seat width	450 mm (A)
Seat depth	450 mm (B)
Seat height	480 mm (C)
Total width	575 mm (D)
Total depth	810 mm (E)
Total height	945 mm (F)
Depth without footrests	545 mm (G)
Footplate depth	155 mm (H)
Height to armrests	755 mm (I)
Height, footrests to seat	345 - 460 mm (J)
Height, ground to lower seat edge:	
with holder for toilet pan	420 mm (K)
without holder for toilet pan	-
Height, floor to cover plate	525 mm (L)
Width between the armrests	470 mm (M)
Width, cut out in seat plate	220 mm
Depth, cut out in seat plate	260 mm
Ø Castors	5" (127 mm)



More info	
Weight	12,8 kg
Load capacity	135 kg
Colour	Black anthracite

Tel: +41 61 487 70 70  
 hqeuropa@invacare.com  
 www.invacare.eu.com

Invacare International GmbH  
 Neuhofweg 51  
 4147 Aesch BL  
 Switzerland



**Yes, you can.®**