

**Invacare® Perfecto2™ Series**  
IRC5PO2AW, IRC5PO2VAW

en HomeFill® System Compatible Oxygen Concentrators with SensO<sub>2</sub> User Manual ..... 3

nl HomeFill® System Compatibel Oxygen Concentrators met SensO<sub>2</sub> Gebruiksaanwijzing ..... 35

fr Système HomeFill® compatibles concentrateurs d'oxygène avec SensO<sub>2</sub> Manuel d'utilisation ..... 69

el Σύστημα HomeFill® Συμβατό με Συμπυκνωτή Ήξ Οξυγόνου με SensO<sub>2</sub> Εγχειρίδιο χρήσης ..... 103


it Sistema HomeFill® concentratori di ossigeno compatibili con SensO<sub>2</sub> Manuale d'uso ..... 141

pt Sistema HomeFill® concentradores de oxigénio compatível com SensO<sub>2</sub> Manual de utilização ..... 173

es Sistema HomeFill® concentradores de oxígeno compatibles con SensO<sub>2</sub> Manual del usuario ..... 205

CE 0120

This manual MUST be given to the user of the product. BEFORE using this product, read this manual and save for future reference.



Invacare Corporation


USA  
One Invacare Way  
Elyria, Ohio USA  
44035  
440-329-6000  
800-333-6900  
Technical Services  
440-329-6593  
800-832-4707  
www.invacare.com

Manufacturer:  
Invacare Corporation  
2101 E. Lake Mary Blvd.  
Sanford, FL USA 32773  
407-321-5630


EC REP

Invacare Deutschland GmbH  
Kleiststraße 49  
D-32457 Porta Westfalica  
Germany  
Tel: (49) (0) 5731 754 0  
Fax: (49) (0) 5731 754 52191


CE 0120



1195657-A 2017-04-18



Making Life's Experiences Possible®



NOTES:

1. Page Count: 240
2. Page Formatted For: A5 or 5.50 x 8.50 inches
3. Orientation: Landscape
4. Color: Black and White
5. Special Instructions:  
DO NOT PRINT THIS DRAWING.  
This drawing is for informational purposes only.  
See attached document.

APPROVED ORIGINAL

*Parag Wunder*

04/24/17

*This document was released at Pre-Release 00.*

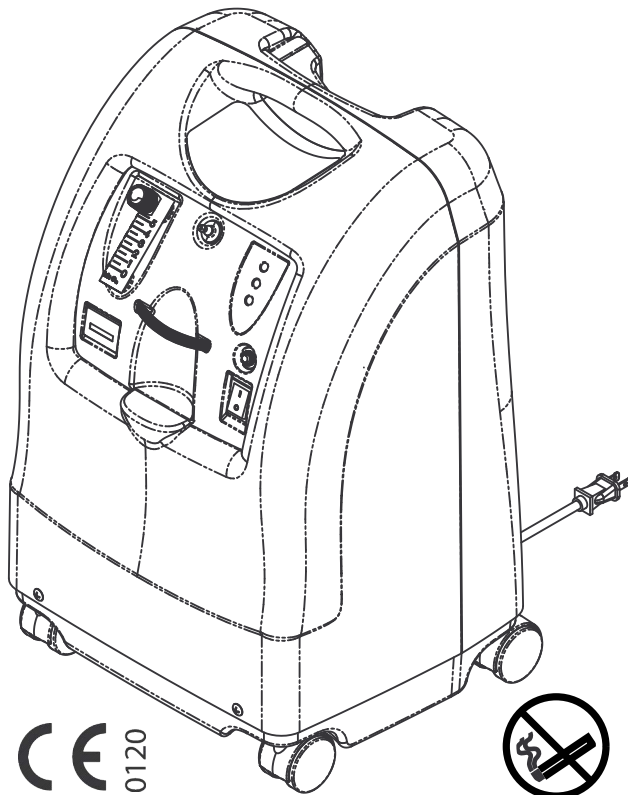
TITLE:  
**MANUAL, OWNERS PERFECTO2 230 V SOUTHERN**

PART NUMBER: <b>1195657</b>	REV: <b>A</b>	SHEET: <b>1 of 1</b>
--------------------------------	------------------	-------------------------

ALL DIMENSIONS ARE IN INCHES UNLESS OTHERWISE SPECIFIED  
TOLERANCES (UNLESS OTHERWISE SPECIFIED):

INCHES	METRIC
DECIMALS: ____ X = N/A	X = ± 3mm
.X = ± .1	.X = ± .5mm
.XX = ± .02	.XX = ± .13mm
.XXX = ± .005	.XXX = ± N/A
FRACTIONS: ____ ± 1/64	± 1/64
ANGLES: ____ ± .5°	± .5°

NATIVE FILES CONTROLLED BY INVACARE  
TECHNICAL WRITING ONLY



This manual **MUST** be given to the user of the product.  
**BEFORE** using this product, read this manual and save for future reference.

# Invacare® Perfecto<sub>2</sub>™ Series

IRC5PO2AW, IRC5PO2VAW

en	<b>HomeFill® System Compatible Oxygen Concentrators with SensO<sub>2</sub></b> User Manual . . . . .	3
nl	<b>HomeFill® System Compatibel Oxygen Concentrators met SensO<sub>2</sub></b> Gebruiksaanwijzing . . . . .	35
fr	<b>Système HomeFill® compatibles concentrateurs d'oxygène avec SensO<sub>2</sub></b> Manuel d'utilisation . . . . .	69
el	Σύστημα <b>HomeFill®</b> Συμβατό ó Συμπυκνωτή έξ Οξυγόνου με <b>SensO<sub>2</sub></b> Έγχειρίδιο χρήσης . . . . .	103
it	<b>Sistema HomeFill® concentratori di ossigeno compatibili con SensO<sub>2</sub></b> Manuale d'uso . . . . .	141
pt	<b>Sistema HomeFill® concentradores de oxigênio compatível com SensO<sub>2</sub></b> Manual de utilização . . . . .	173
es	<b>Sistema HomeFill® concentradores de oxígeno compatibles con SensO<sub>2</sub></b> Manual del usuario . . . . .	205



**Yes, you can.®**

© 2017 Invacare Corporation

All rights reserved. Republication, duplication or modification in whole or in part is prohibited without prior written permission from Invacare. Trademarks are identified by ™ and ®. All trademarks are owned by or licensed to Invacare Corporation or its subsidiaries unless otherwise noted.

Pine-sol and Lestoil are trademarks of The Clorox Company.

Dawn is a trademark of The Proctor and Gamble Company.

Making Life's Experiences Possible is a registered trademark in the U.S.A.

---

# Contents

---

This manual **MUST** be given to the user of the product.  
**BEFORE** using this product, read this manual and save for future reference.

<b>I General</b> .....	<b>4</b>
1.1 Symbols .....	4
1.2 Intended Use .....	6
1.3 Description .....	7
1.4 Contraindications .....	7
<b>2 Safety</b> .....	<b>8</b>
2.1 Label Locations .....	8
2.2 General Guidelines .....	9
2.3 Radio Frequency Interference .....	12
<b>3 Components</b> .....	<b>13</b>
3.1 Component Identification .....	13
<b>4 Accessories</b> .....	<b>15</b>
4.1 Optional Accessories .....	15
<b>5 Setup</b> .....	<b>16</b>
5.1 Unpacking .....	16
5.2 Inspection .....	16
5.3 Storage .....	16
<b>6 Usage</b> .....	<b>17</b>
6.1 Introduction .....	17
6.2 Select a Location .....	17
6.3 Setting Up the Concentrator .....	18
6.3.1 Setting Up the Humidifier .....	18
6.3.2 Turning the Concentrator On .....	21
6.3.3 Flowrate .....	22

6.3.4 SensO <sub>2</sub> Oxygen Purity Indicator .....	22
6.3.5 Initial Startup of the Concentrator .....	22
6.3.6 Explanation of Oxygen Purity Indicator Lights .....	23
6.3.7 Elapsed Time Meter (Hour Meter) .....	23

<b>7 Maintenance</b> .....	<b>24</b>
7.1 Cleaning the Cabinet .....	24
7.2 Cleaning the Cabinet Filter .....	25
7.3 Humidifier Cleaning and Thermic Disinfection .....	26
7.4 Cleaning and Disinfection Between Patients .....	26
7.5 Preventive Maintenance Checklist .....	27
<b>8 After Use</b> .....	<b>28</b>
8.1 Recycling Information .....	28
8.2 Wear and Tear .....	28
<b>9 Troubleshooting</b> .....	<b>29</b>
9.1 Troubleshooting .....	29
<b>10 Technical data</b> .....	<b>31</b>
10.1 Typical Product Parameters .....	31

# I General

## I.1 Symbols

Signal words are used in this manual and apply to hazards or unsafe practices which could result in personal injury or property damage. See the information below for definitions of the signal words.



### **DANGER!**

– Danger indicates an imminently hazardous situation which, if not avoided, will result in death or serious injury.



### **WARNING!**

– Warning indicates a potentially hazardous situation which, if not avoided, could result in death or serious injury.



### **CAUTION!**

– Caution indicates a potentially hazardous situation which, if not avoided, may result in property damage or minor injury or both.



Gives useful tips, recommendations and information for efficient, trouble-free use.

## Symbols in Documentation



Read manual



No Smoking



No Open Flame



Class II, Double Insulated



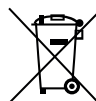
Alternating Current



Type BF equipment



Recycle



DO NOT dispose of in household waste



Electrical Hazard



Keep dry



EC Representative



Manufacturer



Call supplier



This product complies with Directive 93/42/EEC concerning medical devices.

The launch date of this product is stated in the CE declaration of conformity.

For more details about CE marks, refer to Typical Product Parameters.

**Symbols on Product**





Unit running



Unit not running

**O<sub>2</sub> Indicators**

Symbol	O <sub>2</sub> Purity	Indicator Lights (LED)
O <sub>2</sub>	SYSTEM OKAY O <sub>2</sub> over 85%	GREEN Indicator Light
	O <sub>2</sub> between 73% to 85%	YELLOW Indicator Light A. YELLOW Solid B. YELLOW Flashing Sensor Failure Call a qualified technician
	SYSTEM FAILURE O <sub>2</sub> Below 73%	RED Indicator Light Continuous Audible Alarm Sire — GARD™ Compressor Shutdown

## 1.2 Intended Use

Your oxygen concentrator is intended for individual use by patients with respiratory disorders who require supplemental oxygen. The device is not intended to sustain or support life. The concentrator is intended for use within a home or institutional environment.



### **DANGER!**

#### **Risk of Injury or Death**

This product is to be used as an oxygen supplement and is not intended to be life-supporting or life-sustaining. **ONLY** use this product if the patient is capable of spontaneous breath, able to inhale and exhale without the use of a machine.

- **DO NOT** use in parallel or series with other oxygen concentrators or oxygen therapy devices.



### **DANGER!**

#### **Risk of Injury or Death**

Depending on their medical condition, patients on flow rates greater than 5 l/m may be at an increased risk for serious injury or death in the event of failure.

- **ALWAYS** discuss this increased risk with your health care provider **BEFORE** using this product if you are prescribed a flow rate greater than 5 l/m.



### **DANGER!**

#### **Risk of Injury or Death**

While Invacare strives to produce the best oxygen concentrator in the market today, this oxygen concentrator can fail to produce oxygen due to power failure or device malfunction.

- **ALWAYS** have a backup source of oxygen readily available.
- In the event the concentrator fails to produce oxygen, the concentrator will briefly alarm signaling the patient to switch to their backup source of oxygen. Refer to Troubleshooting for more detail.



### **WARNING!**

#### **Risk of Injury or Damage**

Use of this product outside of the intended use and product parameters has not been tested and may lead to product damage, loss of product function, or personal injury.

- **DO NOT** use this product in any way other than described in the product parameters and intended use sections of this manual.

### 1.3 Description

The Invacare Perfecto<sub>2</sub> concentrator is used by patients with respiratory disorders who require supplemental oxygen. The device is not intended to sustain or support life.

The oxygen concentration level of the output gas ranges from 87% to 95.6%. The oxygen is delivered to the patient through the use of a nasal cannula.

The Invacare Perfecto<sub>2</sub> concentrator uses a molecular sieve and pressure swing adsorption methodology to produce the oxygen gas output. Ambient air enters the device, is filtered and then compressed. This compressed air is then directed toward one of two nitrogen adsorbing sieve beds.

Concentrated oxygen exits the opposite end of the active sieve bed and is directed into an oxygen reservoir where it is delivered to the patient.

The Invacare Perfecto<sub>2</sub> concentrator is capable of operation by the patient in a home environment or in an institutional environment. Device operates at a nominal 230 VAC/50 Hertz supply.



Both concentrator models (IRC5PO2AW and IRC5PO2VAW) have identical operating parameters with the exception of the product weight and power consumption. Refer to typical product parameters.

Service information will be available upon request to qualified technical personnel only.

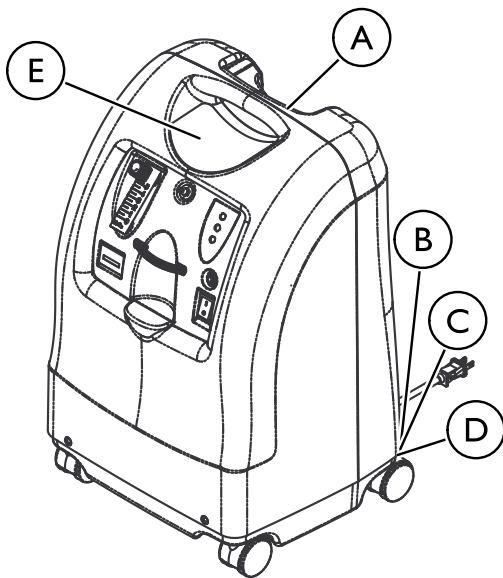
### 1.4 Contraindications

Invacare is not aware of any contraindications for the Invacare Perfecto<sub>2</sub> Concentrator Series.



## 2 Safety

### 2.1 Label Locations



A	Serial number label is located on the resonator intake assembly.
B	Specification Label is located on the back of the concentrator at the base.
C	EU Representative label is located on the base.

D	Phthalate label is located on the base.
E	<div style="border: 1px solid black; border-radius: 15px; padding: 10px; margin-bottom: 10px;"> <p style="text-align: center;"><b>Perfecto<sub>2</sub>™</b></p> <p style="text-align: center;">SEE USER MANUAL OR CONTACT YOUR HOME EQUIPMENT PROVIDER FOR SAFE OPERATING INSTRUCTIONS, ALARMS, AUDIBLE ALERTS AND USE OF ACCESSORIES.</p> <hr/> <p><b>⚠ DANGER</b> RISK OF FIRE - NO SMOKING, OPEN FLAME OR IGNITION SOURCES</p> <p style="text-align: center;">Keep ALL sources of ignition out of the room in which this product is located and away from areas where oxygen is being delivered. Textiles, oil and other combustibles are easily ignited and burn with great intensity in oxygen enriched air.</p> <p><b>⚠ DANGER</b> RISK OF ELECTRIC SHOCK  DO NOT remove cover. Refer servicing to qualified service personnel.</p> <p style="text-align: center;">HomeFill® Compatible</p> </div> <div style="border: 1px solid black; border-radius: 15px; padding: 10px;"> <p style="text-align: center;"><b>Perfecto<sub>2</sub>™ V</b></p> <p style="text-align: center;">SEE USER MANUAL OR CONTACT YOUR HOME EQUIPMENT PROVIDER FOR SAFE OPERATING INSTRUCTIONS, ALARMS, AUDIBLE ALERTS AND USE OF ACCESSORIES.</p> <hr/> <p><b>⚠ DANGER</b> RISK OF FIRE - NO SMOKING, OPEN FLAME OR IGNITION SOURCES</p> <p style="text-align: center;">Keep ALL sources of ignition out of the room in which this product is located and away from areas where oxygen is being delivered. Textiles, oil and other combustibles are easily ignited and burn with great intensity in oxygen enriched air.</p> <p><b>⚠ DANGER</b> RISK OF ELECTRIC SHOCK  DO NOT remove cover. Refer servicing to qualified service personnel.</p> <p style="text-align: center;">HomeFill® Compatible</p> </div>

## 2.2 General Guidelines

In order to ensure the safe installation, assembly and operation of the concentrator these instructions **MUST** be followed.



### **DANGER!**

#### **Risk Of Death, Injury, Or Damage**

Improper use of the product may cause death, injury or damage. This section contains important information for the safe operation and use of this product.

- DO NOT use this product or any available optional equipment without first completely reading and understanding these instructions and any additional instructional material such as user manuals, service manuals or instruction sheets supplied with this product or optional equipment.
- If you are unable to understand the warnings, cautions or instructions, contact a healthcare professional, dealer or technical personnel before attempting to use this equipment.
- Check ALL external components and carton for damage. In case of damage, or if the product is not working correctly, contact a technician or Invacare for repair.
- THE INFORMATION IN THIS DOCUMENT IS SUBJECT TO CHANGE WITHOUT NOTICE.



### **DANGER!**

#### **Risk Of Death, Injury, Or Damage From Fire**

Textiles, oil or petroleum substances, grease, greasy substances and other combustibles are easily ignited and burn with great intensity in oxygen enriched air and when in contact with oxygen under pressure. To avoid fire, death, injury or damage:

- DO NOT SMOKE while using this device.
- DO NOT near OPEN FLAME or IGNITION SOURCES.
- DO NOT use any lubricants on concentrator unless recommended by Invacare.
- NO SMOKING signs should be prominently displayed.
- Avoid creation of any spark near oxygen equipment. This includes sparks from static electricity created by any type of friction.
- Keep all matches, lighted cigarettes or other sources of ignition out of the room in which this concentrator is located and away from where oxygen is being delivered.
- Keep the oxygen tubing, cord, and concentrator out from under such items as blankets, bed coverings, chair cushions, clothing, and away from heated or hot surfaces including space heaters, stoves, and similar electrical appliances.



### **CAUTION!**

Federal (statutory) law restricts this device sale to or on the order of a medical practitioner licensed by a governmental agency where he/she practices.

- ONLY a licensed medical practitioner may order the purchase or use of this device.



**DANGER!**

**Risk of Death, Injury, from Electric Shock**

To reduce the risk of burns, electrocution, death or injury to persons:

- DO NOT disassemble. Refer servicing to qualified service personnel. There are no user serviceable parts.
- Avoid using while bathing. If continuous usage is required by the physician's prescription, the concentrator must be located in another room at least 7ft (2.5m) from the bath.
- DO NOT come in contact with the concentrator while wet.
- DO NOT place or store concentrator where it can drop into water or other liquid.
- DO NOT reach for concentrator that has fallen into water. Unplug IMMEDIATELY.
- DO NOT use frayed or damaged AC adapter cords.



**WARNING!**

**Risk Of Injury Or Damage**

- Invacare products are specifically designed and manufactured for use in conjunction with Invacare accessories. Accessories designed by other manufacturers have not been tested by Invacare and are not recommended for use with Invacare products.
- There are many different types of humidifiers, oxygen tubing, cannulas and masks that can be used with this device. You should contact your local home care provider for recommendations on which of these devices will be best for you. They should also give you advice on the proper usage, maintenance, and cleaning.



**DANGER!**

**Risk of Injury or Death**

To avoid choking or ingestion of chemicals from airway contamination:

- DO NOT use the concentrator in the presence of pollutants, smoke, fumes, flammable anesthetics, cleaning agents, or chemical vapors.



**WARNING!**

**Risk of Injury or Death**

To prevent injury or death from product misuse:

- Closely supervise when this concentrator is used by or near children or physically-challenged individuals.
- Monitor patients using this device who are unable to hear or see alarms or communicate discomfort.



**WARNING!**

**Risk of Injury or Death**

To avoid choking and/or strangulation from tubing entanglement:

- Keep children and pets away from nasal cannula and tubing.
- Close supervision is necessary when the nasal cannula is used by or near children and/or disabled persons.



**WARNING!**

**Risk of Injury or Death**

To reduce the risk of injury or death from illness:

- Replace the nasal cannula on a regular basis. Check with your equipment provider or physician to determine how often the cannula should be replaced.
- DO NOT share cannulas between patients.

**WARNING!****Risk of Injury**

A change in altitude may affect total oxygen available to you. To prevent oxygen deprivation:

- Consult your physician before traveling to higher or lower altitudes to determine if your flow settings should be changed.

**WARNING!****Risk of Injury or Damage**

To prevent injury or damage from cord misuse:

- DO NOT move or relocate concentrator by pulling on the cord.
- DO NOT use extension cords with AC power adapters provided.
- Properly store and position electrical cords and/or tubing to prevent a tripping hazard.

**WARNING!****Risk of Injury or Damage**

To prevent injury or damage from misuse:

- NEVER leave concentrator unattended when plugged in.
- Make sure concentrator is off when not in use.

**WARNING!****Risk of Injury or Damage**

Invacare oxygen concentrators are specifically designed to minimize routine preventive maintenance. To prevent injury or damage:

- Only professionals of the healthcare field or persons fully conversant with this process such as factory trained personnel should perform preventive maintenance or performance adjustments on the oxygen concentrator, except for tasks described in this manual.
- Users should contact your dealer or Invacare for service.

**CAUTION!****Risk of Damage**

To prevent damage from liquid ingress:

- If the concentrator is not working properly, if it has been dropped or damaged, or dropped into water, call equipment provider/qualified technician for examination and repair.
- NEVER drop or insert any object or liquid into any opening.
- Invacare recommends the concentrator not be used in the rain.

## 2.3 Radio Frequency Interference



### **WARNING!**

#### **Risk of Injury or Damage**

To reduce the risk of injury or product damage from interference with wireless equipment:

- Keep concentrator at least 9.8 ft (3.0 m) away from wireless communication equipment such as wireless home network devices, mobile phones, cordless phones and base stations, walkie-talkies, etc.

This equipment has been tested and found to comply with EMC limits specified by IEC/EN 60601-1-2. These limits are designed to provide a reasonable protection against electromagnetic interference in a typical medical installation.

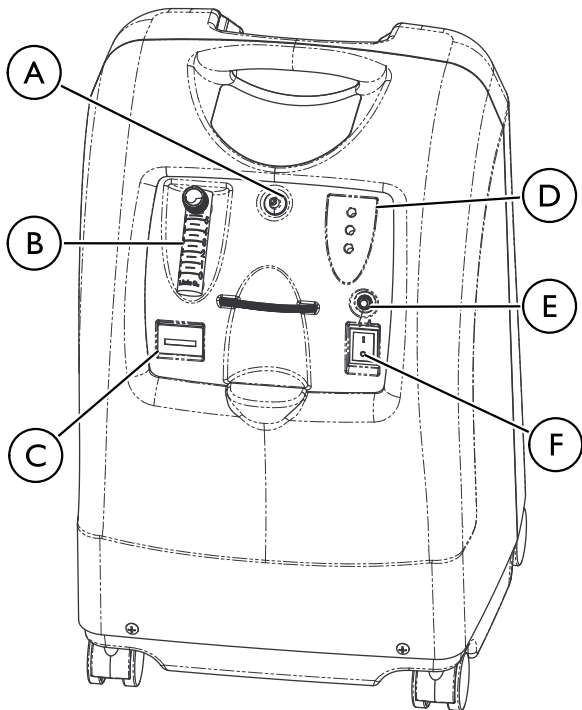
Other devices may experience interference from even the low levels of electromagnetic emissions permitted by the above standards.

To determine if the emissions from the concentrator are causing the interference, turn the concentrator Off. If the interference with the other device(s) stops, then the concentrator is causing the interference. In such rare cases, interference may be reduced or corrected by one of the following measures:

- Reposition, relocate, or increase the separation between the equipment.
- Connect the equipment into an outlet on a circuit different from that to which the other device(s) is connected.

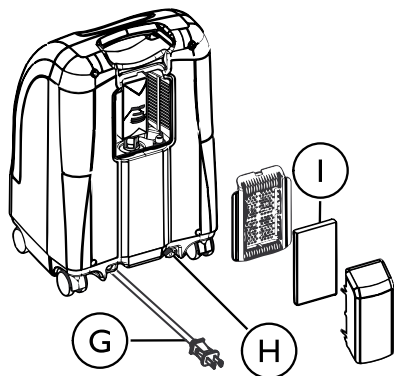
## 3 Components

### 3.1 Component Identification



(A)	Oxygen Outlet
(B)	Flowmeter
(C)	Elapsed Time Meter
(D)	Oxygen Purity Indicator Lights/Fault and Power Indicator Lights
(E)	Circuit Breaker
(F)	Power Switch

## Rear View



Ⓒ	Power Cord
Ⓗ	HomeFill Outlet Fitting
Ⓘ	Cabinet Filter

**i** The HomeFill outlet fitting **Ⓗ** is to be used only for filling oxygen cylinders with the HomeFill home oxygen compressor. The outlet fitting does not affect concentrator performance. Refer to the HomeFill user manual for connection and operating instructions.

When not in use, the plug provided with the concentrator should be inserted into the outlet fitting. For more information about the HomeFill, contact your Invacare dealer.

---

## 4 Accessories

---

### 4.1 Optional Accessories

There are many different types of humidifiers, oxygen tubing, cannulas and masks that can be used with this device. You should contact your local home care provider for recommendations on which of these devices will be best for you. They should also give you advice on the proper usage, maintenance, and cleaning.

The supply accessories (nasal cannula, mask, tubing, humidifier, etc.) used to deliver oxygen to the patient need to include a means to reduce the propagation of fire in the accessories for the safety of the patient and others. If a commercially available, fire-activated flow stop device is used in the accessories setup, it should be placed as close to the patient as practicable.

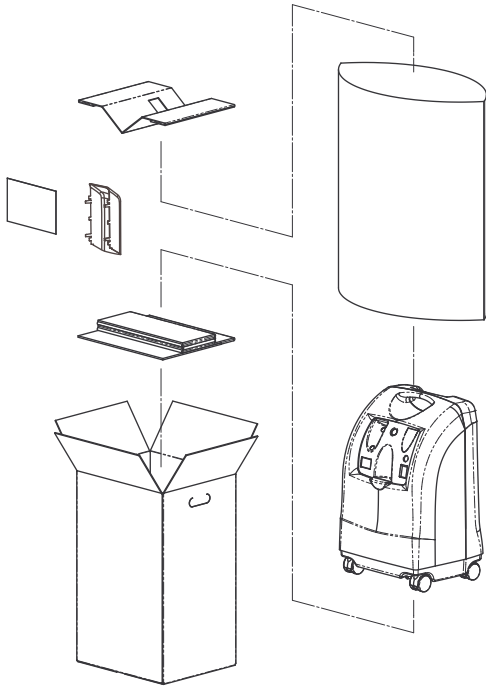
The following optional accessories and replacement parts (listed below) are also available:

- Standard Adult Nasal Cannula, 2.1 m (7 feet) - M3120
- Standard Humidifier - Invacare Part #1155719
- PreciseRX™ Pediatric Humidifier/Flowmeter Accessory - IRCPF16AW
- HomeFill home oxygen compressor - IOH200AW
- Humidifier Bottle Holder - M1521
- Oxygen Supply Tubing 2.1 m (7 feet) - MS4107
- Oxygen Supply Tubing 6.3 m (21 feet) - MS4121
- Oxygen Tubing Connector - MS4301



## 5 Setup

### 5.1 Unpacking



1. Check for any obvious damage to the carton or its contents. If damage is evident, notify the carrier, or your local dealer.
2. Remove all loose packing from the carton.
3. Carefully remove all the components from the carton.



Unless the oxygen concentrator is to be used **IMMEDIATELY**, leave concentrator in its packaging for storage until use is required.

### 5.2 Inspection

1. Inspect/examine exterior of the concentrator for nicks, dents, cracks, scratches or other damage.
2. Inspect all components.

### 5.3 Storage

1. Store the repackaged oxygen concentrator in a dry area. Refer to Typical Product Parameters for storage temperature parameters.
2. **DO NOT** place objects on top of repackaged concentrator.

## 6 Usage

### 6.1 Introduction

Your oxygen concentrator is intended for individual use indoors. It is an electronically operated device that separates oxygen from room air. It provides high concentration of oxygen directly to you through a nasal cannula. Clinical studies have documented that oxygen concentrators are therapeutically equivalent to other types of oxygen delivery systems.

Your provider will show you how to use your oxygen concentrator. He/She should be contacted with any questions or problems regarding your oxygen concentrator. This user manual will tell you about your concentrator and will serve as a reference as you use your concentrator.

### 6.2 Select a Location



#### **WARNING!**

##### **Risk of Injury or Damage**

To avoid injury or damage from airborne pollutants and/or fumes and for optimal performance:

- Locate and position the concentrator in a well ventilated space so that the air intake and the air exhausts are not obstructed.
- NEVER block the air openings of the concentrator or place it on a soft surface, such as a bed or couch, where the air opening may be blocked.
- Keep the openings free from lint, hair and similar foreign items.
- Keep concentrator at least 12 inches (30,5 cm) away from walls, draperies and furniture.
- Avoid use in presence of pollutants, smoke or fumes, flammable anesthetics, cleaning agents or chemical vapors.
- Place concentrator in a well ventilated area to avoid airborne pollutants and/or fumes.
- DO NOT use in a closet.



#### **WARNING!**

##### **Risk of Injury**

To avoid injury during therapy:

- The oxygen concentrator **MUST** be placed on a level surface for use.
- DO NOT relocate the oxygen concentrator while in use.

You may select a room in your house where using your oxygen concentrator would be most convenient. Your concentrator can be easily rolled from room to room on its casters.

Your oxygen concentrator will perform best when operated under the conditions outlined in typical product parameters.

Usage in environments other than those described may result in the need for increased equipment maintenance. The air intake of the unit should be located in a well ventilated area to avoid airborne pollutants and/or fumes.

### 6.3 Setting Up the Concentrator

1. Plug in power cord to an electrical outlet.
2. Connect Humidifier (if so prescribed).

#### 6.3.1 Setting Up the Humidifier



##### **WARNING!**

##### **Risk of Injury or Damage**

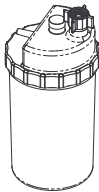
To avoid burns from steam or hot water, inhalation of water and/or water damage to the concentrator:

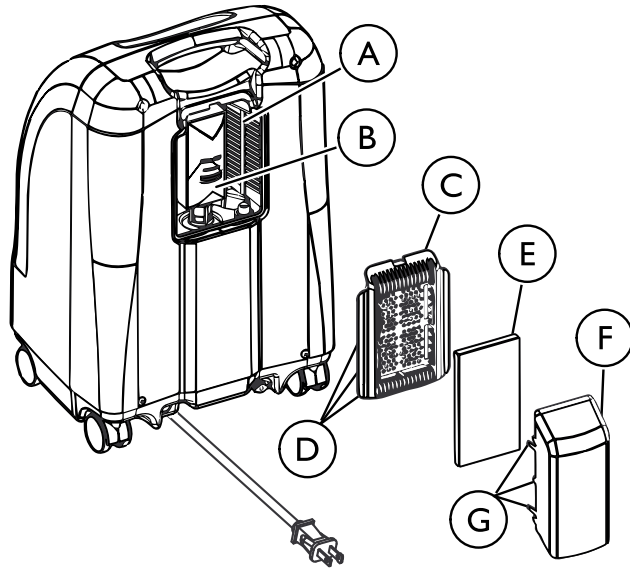
- DO NOT fill humidifier bottle with hot water. Allow boiled water to cool to room temperature before filling.
- DO NOT overfill humidifier.
- Replace the humidifier cap and securely tighten. Confirm that the cap is not cross-threaded on the humidifier bottle.
- DO NOT reverse the oxygen input and output connections. Water from the humidifier bottle will travel through the cannula back to the patient if input and output connections are reversed.
- When using tubing connections longer than 2.1 m (7 feet) in length, position the humidifier as close to the patient as possible to allow for maximum humidification output.

**WARNING!****Risk of Injury or Damage**

Failure to properly install the humidifier bottle or other accessories to the concentrator will impact the flow of oxygen.

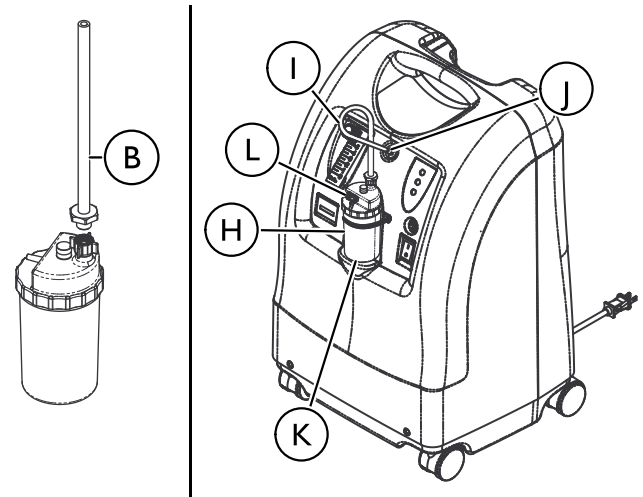
- To check for proper operation of the oxygen concentrator and accessories, place the end of the nasal cannula under the surface of a half-full cup of water and look for the bubbles.
- If there are no bubbles, check all connections (including humidifier bottle and other accessories, if applicable) and repeat. Contact your dealer or service provider immediately if bubbles still do not appear.

**Humidifier Bottle with Cap****Humidifier Bottle without Cap**




1. Remove cap from bottle.
2. Fill humidifier with boiled tap water or bottled water to the level indicated by the manufacturer. Boil tap water for approximately 10 minutes and cool to room temperature prior to use.
3. Insert a flathead screwdriver in the plate groove on the top edge of the filter access door **C** and gently pry the filter access door off.
4. Pull up and remove the humidifier bottle adapter **B**.

5. Replace the filter access door and install the air scoop **F** onto the filter access door by inserting the six tabs **G** on the air scoop into the six slots **D** on the sides of the filter access door.



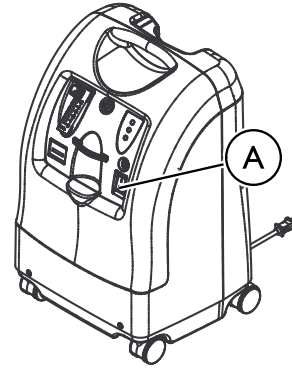
6. Attach the humidifier bottle adapter to the humidifier bottle **H** by turning the wing nut on the humidifier bottle counterclockwise until it is securely fastened.

7. Select the location for the humidifier bottle/adapter assembly:
  - When placing the humidifier bottle in the compartment on the concentrator, attach the humidifier bottle/adapter tube ① to the oxygen outlet connector ① on the concentrator.
  - To position the humidifier bottle in a patient side location, place the humidifier bottle/adapter assembly in the humidifier bottle holder ⑧ (M1521, refer to 4.1 Optional Accessories, page 15) and place on a flat surface as close to the patient as possible. Attach an oxygen tubing connector (MS4301, Refer to 4.1 Optional Accessories, page 15) to the end of the humidifier bottle/adapter tube. Connect one end of the oxygen supply tubing (MS4107 or MS4121, Refer to 4.1 Optional Accessories, page 15) to the free end of the oxygen tubing connector and the opposite end to the oxygen outlet connector on the concentrator.


 When using tubing connections longer than 2.1 m (7 feet) in length, position the humidifier as close to the patient as possible to allow for maximum humidification output.

8. Attach the patients' nasal cannula supply tube to the humidifier bottle outlet ⑨.
9. After assembly, ensure that oxygen is flowing through the nasal cannula.

### 6.3.2 Turning the Concentrator On



- I. Press power switch ⑩ to On position.

 All the panel lights and the audible alarm will come on for one second, indicating that the unit is functioning properly.

### 6.3.3 Flowrate

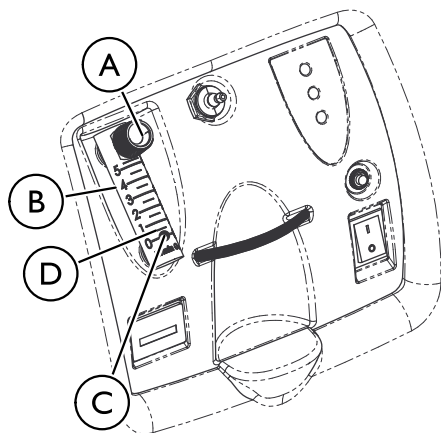


#### **WARNING!**

#### **Risk of Injury**

To avoid injury from excess oxygen or a deficit of oxygen:

- DO NOT change the L/min setting on the flowmeter unless a change has been prescribed by your physician or therapist.



Do not set the flow above the RED ring. An oxygen flow greater than 5 L/min will decrease the oxygen concentration.

1. Turn the flowrate knob (A) to the setting prescribed by your physician or therapist.



To properly read the flowmeter (B), locate the prescribed flowrate line on the flowmeter. Next, turn the flow knob until the ball (C) rises to the line. Now, center the ball on the L/min line prescribed.

2. If the flowrate on the flowmeter ever falls below 0.5 L/min (D) for more than about one minute, the Potential Obstruction Alert will be triggered. This is a rapid beeping of the audible alarm. Check your tubing or accessories for blocked or kinked tubing or a defective humidifier bottle. After rated flow is restored to between 0.5 L/min and 0.75 L/min, the Potential Obstruction Alert will turn off.



The use of some accessories such as the PreciseRx™ pediatric flowmeter and the HomeFill compressor will deactivate the Potential Obstruction Alert.

### 6.3.4 SensO<sub>2</sub> Oxygen Purity Indicator

This feature monitors the purity of oxygen generated by the oxygen concentrator. If purity falls below factory preset standards, indicator lights on the control panel will illuminate.

### 6.3.5 Initial Startup of the Concentrator

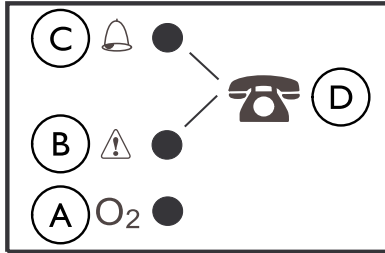






Concentrator may be used during the initial warm-up time (approximately 30 min.) while waiting for the O<sub>2</sub> purity to reach maximum.

When the unit is turned on, the GREEN light will come on (SYSTEM OK/O<sub>2</sub> greater than 85%). After five minutes, the oxygen sensor will

be operating normally and will control the indicator lights depending on oxygen concentration values.

### 6.3.6 Explanation of Oxygen Purity Indicator Lights



	Light	Symbol	Explanation
(A)	GREEN light	(O <sub>2</sub> )	Normal Operation
(B)	YELLOW light		Immediately call supplier. You may continue to use the concentrator unless instructed otherwise by your supplier. Be certain that backup oxygen is nearby.
(C)	RED light		Total unit shutdown. Immediately switch to backup oxygen supply and call supplier.
(A)(B)	GREEN light with YELLOW light flashing	(O <sub>2</sub> ) and 	Immediately call supplier. Oxygen sensor is malfunctioning; you may continue to use the concentrator.
(D)	—		Call Supplier

### 6.3.7 Elapsed Time Meter (Hour Meter)

The hour meter displays the cumulative number of hours the unit has operated. Refer to Component Identification for specific location.



## 7 Maintenance

### 7.1 Cleaning the Cabinet



#### **DANGER!**

#### **Risk of Injury or Damage**

Invacare oxygen concentrators are specifically designed to minimize routine preventive maintenance. To prevent injury or damage:

- Only qualified personnel should perform preventive maintenance on the oxygen concentrator.
- DO NOT remove cabinet.



#### **DANGER!**

#### **Risk of Injury or Damage**

Liquid will damage the internal components of the concentrator. To avoid damage or injury from electrical shock:

- Turn Off the concentrator and unplug the power cord before cleaning.
- DO NOT allow any cleaning agent to drip inside the air inlet and outlet openings.
- DO NOT spray or apply any cleaning agent directly to the cabinet.
- DO NOT hose down the product.



#### **CAUTION!**

#### **Risk of Damage**

Harsh chemical agents can damage the concentrator. To avoid damage:

- DO NOT clean the cabinet or filter with alcohol and alcohol based products (isopropyl alcohol), concentrated chlorine-based products (ethylene chloride), and oil-based products (Pine-Sol®, Lestoil®) or any other harsh chemical agents. Only use mild liquid dish detergent (such as Dawn™).



At a minimum, preventive maintenance **MUST** be performed according to the maintenance record guidelines. In places with high dust or soot levels, maintenance may need to be performed more often. Refer to the Maintenance Checklist.

Periodically clean the concentrator's cabinet as follows:

1. Use a damp cloth, or sponge, with a mild detergent such as Dawn™ dish washing soap to gently clean the exterior case.
2. Allow the concentrator to air dry, or use a dry towel, before operating the concentrator.

## 7.2 Cleaning the Cabinet Filter



### CAUTION!

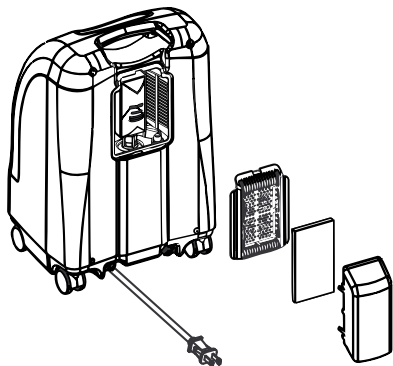
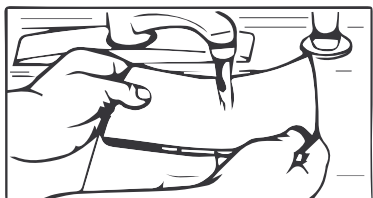
#### Risk of damage

To avoid damage from clogging:

- DO NOT operate the concentrator without the filter installed.



There is one cabinet filter located on the back of the cabinet.




1. Remove the filter and clean as needed.




Environmental conditions that may require more frequent inspection and cleaning of the filter include, but are not limited to: high dust, air pollutants, etc.

2. Clean the cabinet filter with a vacuum cleaner or wash with a mild liquid dish detergent (such as Dawn™) and water. Rinse thoroughly.
3. Thoroughly dry the filter and inspect for fraying, crumbling, tears and holes. Replace filter if any damage is found.
4. Reinstall the cabinet filter.

### 7.3 Humidifier Cleaning and Thermic Disinfection

 Clean and disinfect the oxygen humidifier daily to reduce limestone deposits and eliminate possible bacterial contamination. Follow the instructions provided by the manufacturer. If none are provided, follow these steps:

1. Wash humidifier in soapy water and rinse with a solution of ten parts water and one part vinegar.
2. Rinse thoroughly with hot water.
3. Air dry thoroughly.

 To limit bacterial growth, air dry the humidifier thoroughly after cleaning when not in use. Refer to Set Up for use.

### 7.4 Cleaning and Disinfection Between Patients




#### **WARNING!**

#### **Risk of Injury or Damage**

To prevent injury from infection or damage to concentrator:

- Only qualified personnel should perform cleaning and disinfection of the oxygen concentrator and accessories between patients.

 Follow these instructions to eliminate possible pathogen exchange between patients due to contamination of components or accessories. Preventive Maintenance should also be performed at this time if necessary.


1. Dispose of and replace all patient side accessories not suitable for multiple patient use, including but not limited to:
  - Nasal Cannula and Tubing
  - Mask
  - Humidifier
2. Perform maintenance procedures described in this manual and items on Preventive Maintenance Checklist
3. Check concentrator for possible external damage or signs that it may require service or repair.
4. Ensure concentrator functions properly and all alarms are in working order.
5. Before repackaging and distribution to new patient, ensure packaging contents contain the concentrator, power cord, air inlet scoop, assembly instructions, humidifier, cannula, labels and user manual.

### 7.5 Preventive Maintenance Checklist

Model No:

Serial No:

<b>ON EACH INSPECTION</b>							
Record Date of Service							
Record Elapsed Hours on Hour Meter							
Clean Cabinet Filter(s)							
Check Prescribed L/min. Flow Rate							
<b>DURING PREVENTIVE MAINTENANCE SCHEDULE, OR BETWEEN PATIENTS</b>							
<b>UNITS WITH SensO<sub>2</sub> — EVERY 26,280 HOURS</b>							
Check Oxygen Concentration*							
Clean/Replace Cabinet Filter							
Check/Replace Outlet HEPA Filter*							
Check/Replace Compressor Inlet Filter*							
Check Power Loss Alarm							

 26,820 hours are equivalent to usage 24 hours per day, 7 days per week for 3 years.

\*To be conducted by provider or qualified service technician. Refer to service manual.

## 8 After Use

### 8.1 Recycling Information

This product has been supplied from an environmentally aware manufacturer who complies with the Waste Electrical and Electronic Equipment (WEEE) Directive 2012/19/EU. This product may contain substances that could be harmful to the environment if disposed of in places (landfills) that are not appropriate according to legislation.

Follow local governing ordinances and recycling plans regarding disposal of the concentrator or components normally used in operation. The concentrator does not generate waste or residue in operation.

- DO NOT dispose of the concentrator in the normal waste stream.
- Any accessories not part of the concentrator MUST be handled in accordance with the individual product marking for disposal.
- DO NOT dispose of the internal or supplemental battery packs. Battery packs should be returned to your dealer/provider.

Invacare® is continuously working towards ensuring that the company's impact on the environment, locally and globally, is reduced to a minimum. We comply with the current environmental legislation (e.g. WEEE and RoHS directives). We only use REACH compliant materials and components.

### 8.2 Wear and Tear

Invacare reserves the right to ask for any item back that has an alleged defect in workmanship. See Warranty that shipped with the product for specific warranty information.

Refer to the User Manual for proper preventative maintenance schedule and use of the product.

This is just a general guideline and does not include items damaged due to abuse and misuse.

Normal wear and tear items and components for this product are listed below.

- All types of filters
- All types of tubing
- All types of batteries, including lead acid/lithium, coin cell (watch type) and gel (6 months)




Sieve is a porous filtering material and is considered a wear item. Some factors that could affect sieve material life include humidity, temperature, particulates, air contaminates, air intake, vibration and other environmental conditions.

## 9 Troubleshooting


### 9.1 Troubleshooting

SYMPTOM	PROBABLE CAUSE	SOLUTION
<p><b>Alarm:</b></p> <p>Short Beeps, long pause</p> <p>Concentrator not operating, power switch On.</p> <p>Beep...Beep...</p>	<p><b>Main Power Loss:</b></p> <ol style="list-style-type: none"> <li>1. Power cord not plugged in.</li> <li>2. No power at outlet.</li> <li>3. Tripped circuit breaker.</li> </ol>	<ol style="list-style-type: none"> <li>1. Insert plug into outlet.</li> <li>2. Inspect house circuit breakers or fuses. If problem recurs, use a different outlet.</li> <li>3. Push/reset circuit breaker. If problem recurs, call service provider.</li> </ol>
<p><b>Alarm:</b></p> <p>Continuous</p> <p>Concentrator not operating, power switch On.</p> <p>Beep...</p>	<p><b>System Failure:</b></p> <ol style="list-style-type: none"> <li>1. Unit overheating due to blocked air intake.</li> <li>2. Insufficient power at outlet.</li> <li>3. Internal repairs required.</li> </ol>	<ol style="list-style-type: none"> <li>1.               <ol style="list-style-type: none"> <li>a. Remove and clean cabinet filters.</li> <li>b. Move oxygen concentrator at least 12 in (30, 5 cm) away from walls, draperies or furniture.</li> </ol> </li> <li>2. DO NOT use extension cords. Move to another electrical outlet or circuit.</li> <li>3. Call service provider.</li> </ol>

SYMPTOM	PROBABLE CAUSE	SOLUTION
<p><b>Alarm:</b></p> <p>YELLOW or RED light Illuminated.</p> <p>Alarm: Continuous On RED light</p> <p>* Only applies to IRC5PO2AW &amp; IRC5PO2VAW</p>	<p><b>System Failure:</b></p> <ol style="list-style-type: none"> <li>1. Low oxygen purity.*</li> <li>2. Kinked or blocked tubing, cannula or humidifier.*</li> <li>3. Flowmeter set at 0.5 L/min*.</li> <li>4. Unit overheating due to blocked air intake.</li> <li>5. Insufficient power at outlet.</li> <li>6. Internal repairs required.</li> </ol>	<ol style="list-style-type: none"> <li>1. Clean or Replace filters.</li> <li>2. Inspect for kinks or blockages. Correct, clean or replace item. Once corrected, turn power Off for 60 seconds and then turn power back On.</li> <li>3. Check flowmeter is set to 1.0 L/min or more. Refer to Typical Product Parameters.</li> <li>4.             <ol style="list-style-type: none"> <li>a. Remove and clean cabinet filters.</li> <li>b. Move concentrator at least 12 in (30,5 cm) from walls, draperies, and furniture.</li> </ol> </li> <li>5. DO NOT use extension cords. Move to another electrical outlet or circuit.</li> <li>6. Call Service Provider.</li> </ol>
<p>GREEN light with YELLOW Light Flashing.</p>	<ol style="list-style-type: none"> <li>1. Internal repairs required.</li> </ol>	<ol style="list-style-type: none"> <li>1. Call Service Provider.</li> </ol>
<p><b>Alarm:</b></p> <p>Rapid Beep...Beep... Beep...Beep</p>	<p><b>Potential Obstruction Alert</b></p> <ol style="list-style-type: none"> <li>1. Possible internal obstruction in the oxygen path. Kinked or blocked tubing, cannula or humidifier.</li> <li>2. Flowmeter set at 0.5 L/min.</li> </ol>	<ol style="list-style-type: none"> <li>1. Inspect for kinks or blockages. Correct, clean or replace item. Once corrected, turn power Off for 60 seconds and then turn power back ON.</li> <li>2. Flowrates less than 1 L/min are not recommend.</li> </ol> <p> The use of the pediatric flowmeter will deactivate the Potential Obstruction Alert.</p>

## 10 Technical data

### 10.1 Typical Product Parameters

Electrical Requirements:	230 VAC + 10, -15% (253 VAC/195.5 VAC), 50 Hz
Rated Current Input:	1.5 A
Sound Level:	40 dBA max
Altitude:	Up to 6,000 ft (1828 m) above sea level without degradation of concentration levels. Not recommended for use above 6,000 ft (1828 m). Atmospheric pressure range: 101.33 kPa — 81.22 kPa
Oxygen Output Concentration Levels:	87% to 95.6% at 0.5 to 5 L/min  Concentration levels achieved after initial warm-up period (approximately 30 minutes)
Maximum Outlet Pressure:	34.5 kPa ± 3.45 kPa (5 psi ± 0.5 psi)
Low Flow Alarm:	0.5 to 5 L/min (maximum). For flowrates less than 1 L/min, we recommend the use of the Invacare Pediatric Flowmeter Accessory (IRCPFI6AW).
Potential Obstruction Alert:	0 L/min to 0.5 L/min The concentrator detects a condition that may indicate a potential obstruction of the output oxygen. Rapid audible beeping alert (this alert is deactivated when accessories are connected). May be associated with flow setting of 0.5 L/min or less.
Power Consumption:	Perfecto <sub>2</sub> AW - 300 W at 5 L/min, 280 W at 3 L/min Perfecto <sub>2</sub> VAW - 320 W at 5 L/min
Pressure Relief Mechanism Operational at:	241 kPa ± 24.1 kPa (35 psi ± 3.5 psi)



Change in maximum recommended flow when back pressure of 7kPa is applied:	0.7 L/min
Filters:	Cabinet, Outlet HEPA and Compressor Inlet
Safety System:	Current overload or line surge shutdown High temperature compressor shutdown High Pressure Alarm w/compressor shutdown Low Pressure Alarm w/compressor shutdown Battery Free Power Loss Alarm SensO <sub>2</sub> Oxygen System Possible Obstruction Alert
Width:	38.1 cm ± 1 cm (15 in ± 3/8 in)
Height:	58.4 cm ± 1 cm (23 in ± 3/8 in)
Depth:	30.5 cm ± 1 cm (12 in ± 3/8 in)
Weight:	Perfecto <sub>2</sub> AW Models - 20.5 kg ± 1 kg (45 lbs ± 2 lbs) Perfecto <sub>2</sub> VAW Models - 18.1 kg ± 1 kg (40 lbs ± 2 lbs)
Shipping Weight:	Perfecto <sub>2</sub> AW Models - 22.7 kg ± 1 kg (50 lbs ± 2 lbs) Perfecto <sub>2</sub> VAW Models - 20.4 kg ± 1 kg (45 lbs ± 2 lbs)
Operating Ambient Conditions:	10°C - 35°C (50°F - 95°F) at 20-60% relative humidity
Cabinet:	Impact Resistant flame-retardant plastic cabinet that conforms to UL 94-V0
No AP/APG	Not suitable for use in the presence of a flammable anaesthetic mixture

Standards and Regulatory Listing:	IEC/EN60601-1, A1, A2 IEC/EN60601-1-2 IEC/EN61000-3-2 IEC/EN61000-3-3, ISO8359 MDD 93/42/EEC
CE marking model	IRC5PO2AW/IRC5PO2VAW
Electrical:	No extension cords
Placement:	No closer than 30,5 cm (12 in) from any wall, furniture, draperies, or furniture to assure sufficient air flow Avoid deep pile carpets and heaters, radiators or hot air registers Floor location only No confined spaces (Example: No closets)
Tubing:	2 m (7 ft) cannula with a maximum 15 m (50 ft) of Crush-Proof Tubing (DO NOT pinch)
Time of Operation:	Up to 24 hours per day
Recommended Storage and Shipping Temperature:	-29° C to 65° C (-20° F to 150° F) at 15-95% relative humidity
Environment:	Smoke and soot-free No confined spaces (Example: No closets)
Minimum Operating Time:	30 Minutes

Notes

---

# Inhoudsopgave

---

Deze handleiding dient te worden overhandigd aan de gebruiker van het product. Lees deze handleiding VÓÓR u het product gebruikt en bewaar hem voor eventuele raadplegingen in de toekomst.

<b>I Algemeen</b>	<b>36</b>
1.1 Symbool	36
1.2 Gebruiksdoel	38
1.3 Omschrijving	38
1.4 Contra-indicaties	39
<b>2 Veiligheid</b>	<b>40</b>
2.1 Locatie van de labels	40
2.2 Algemene richtlijnen	41
2.3 Interferentie door radiofrequentie	44
<b>3 Componenten</b>	<b>46</b>
3.1 Componentidentificatie	46
<b>4 Accessoires</b>	<b>48</b>
4.1 Optionele accessoires	48
<b>5 Montage</b>	<b>49</b>
5.1 Uitpakken	49
5.2 Inspectie	49
5.3 Opslag	49
<b>6 Gebruik</b>	<b>50</b>
6.1 Inleiding	50
6.2 Een ruimte kiezen	50
6.3 De concentrator instellen	51
6.3.1 De bevochtiger instellen	51
6.3.2 De concentrator inschakelen	54
6.3.3 Stroomsnelheid	55

6.3.4 SensO <sub>2</sub> indicator voor zuurstofzuiverheid	55
6.3.5 De concentrator aanzetten	55
6.3.6 Verklaring van de indicatielampjes voor zuurstofzuiverheid	56
6.3.7 Verstrekentijd-meter (Uurmeter)	56

<b>7 Onderhoud</b>	<b>57</b>
7.1 Het cabinet reinigen	57
7.2 Het cabinetfilter reinigen	58
7.3 Reiniging en thermische desinfectie van de bevochtiger	59
7.4 Reiniging en desinfectie tussen verschillende patiënten	59
7.5 Controlelijst preventief onderhoud	60
<b>8 Na gebruik</b>	<b>61</b>
8.1 Informatie over recycling	61
8.2 Slijtage	61
<b>9 Storingen verhelpen</b>	<b>62</b>
9.1 Storingen verhelpen	62
<b>10 Technische Specificaties</b>	<b>65</b>
10.1 Typische productparameters	65

# I Algemeen

## I.1 Symbool

In deze handleiding worden signaalwoorden gebruikt die wijzen op gevaren of onveilige gebruiken die kunnen resulteren in persoonlijk letsel of materiële schade. Raadpleeg de volgende tabel voor definities van de signaalwoorden.



### GEVAAR!

– Gevaar geeft een op handen zijnde gevaarlijke situatie aan die, als deze niet wordt vermeden, de dood of ernstig letsel tot gevolg heeft.



### WAARSCHUWING!

– Een waarschuwing geeft een mogelijk gevaarlijke situatie aan die, als deze niet wordt vermeden, de dood of ernstig letsel tot gevolg kan hebben.



### LET OP!

– Let op' wijst op een mogelijk gevaarlijke situatie die, indien ze niet wordt voorkomen, kan leiden tot materiële schade of niet ernstig letsel, of beide.



Nuttige tips, adviezen en informatie voor efficiënt, probleemloos gebruik.

## Symbolen in de documentatie



Lees handleiding



Niet roken



Geen open vuur



Klasse II, dubbel geïsoleerd



Wisselstroom



Type BF-apparaat



Recyclen



NIET samen met huishoudelijk afval weggooien



Elektrisch gevaar



Droog bewaren



EG-vertegenwoordiger



Fabrikant



Contact op met uw leverancier



Dit product voldoet aan Richtlijn 93/42/EEG voor medische hulpmiddelen.

De datum waarop dit product op de markt wordt gebracht, staat vermeld in de EG-verklaring van overeenstemming.

Zie voor meer informatie over CE-markeringen de Standaardproductgegevens.

### Symbolen op het product



Apparaat ingeschakeld



Apparaat uitgeschakeld

### O<sub>2</sub>-indicatoren

Symbool	O <sub>2</sub> -zuiverheid	Indicatielampjes (LED)
O <sub>2</sub>	SYSTEEM OK O <sub>2</sub> meer dan 85%	GROEN indicatielampje
	O <sub>2</sub> tussen 73% en 85%	GEEL indicatielampje A. Continu GEEL B. YGEEL knipperende sensor Storing. Bel een bevoegd technicus.
	SYSTEEMSTORING O <sub>2</sub> minder dan 73%	ROOD indicatielampje Continu geluidsalarm Sieve-GARD™ uitschakeling compressor

## 1.2 Gebruiksdoel

Uw zuurstofconcentrator is bedoeld voor individueel gebruik door patiënten met ademhalingsstoornissen die aanvullende ademhalingszuurstof nodig hebben. Het apparaat is niet bedoeld voor levensverlenging of -ondersteuning. De concentrator is bedoeld voor thuisgebruik of gebruik in een instelling.



### **GEVAAR!**

#### **Gevaar voor letsel of overlijden**

Dit product is bedoeld om aanvullende zuurstof te bieden en mag niet worden gebruikt als levensonderhoudend of levensondersteunend hulpmiddel. Gebruik dit product **UITSLUITEND** als de patiënt in staat is om vrij adem te halen en in- en uit te ademen zonder hulp van een machine.

- Gebruik het product **NIET** parallel aan of in serie met andere zuurstofconcentratoren of zuurstofbehandelingsapparaten.



### **GEVAAR!**

#### **Gevaar voor letsel of overlijden**

Een flowsnelheid van meer dan 5 l/min veroorzaakt in het geval van een defect mogelijk een verhoogd risico op ernstig letsel of overlijden, afhankelijk van de medische toestand van de patiënt.

- Als u een flowsnelheid krijgt voorgeschreven die hoger is dan 5 l/min, dient u dergelijke verhoogde risico's **ALTIJD** met uw zorgverlener te bespreken, alvorens het product te gebruiken.



### **GEVAAR!**

#### **Gevaar voor letsel of overlijden**

Hoewel Invacare ernaar streeft de beste zuurstofconcentrator te maken die momenteel op de markt beschikbaar is, kunnen stroomstoringen of defecten aan het apparaat ertoe leiden dat de zuurstofconcentrator geen zuurstof meer produceert.

- Zorg dat u **ALTIJD** een reservevoorraad O<sub>2</sub> bij de hand hebt.
- Wanneer de concentrator geen zuurstof meer produceert, geeft de concentrator een kort alarmsignaal af waarmee de patiënt wordt gewaarschuwd over te schakelen op zijn/haar reservevoorraad O<sub>2</sub>. Zie Problemen oplossen voor meer informatie.



### **WAARSCHUWING!**

#### **Gevaar voor letsel of beschadiging**

Gebruik van dit product voor iets anders dan waarvoor het is bedoeld, of gebruik buiten de productparameters, is niet getest en kan leiden tot beschadiging of functieverlies van het product, of persoonlijk letsel.

- Gebruik dit product **NIET** op een andere manier dan wordt beschreven in de productparameters en in het gedeelte Bedoeld gebruik in deze handleiding.

## 1.3 Omschrijving

De Perfecto<sub>2</sub>-zuurstofconcentrator van Invacare wordt gebruikt door patiënten met ademhalingsaandoeningen die extra zuurstof nodig hebben. Het apparaat is niet bedoeld als levensonderhoudend of levensondersteunend hulpmiddel.

Het zuurstofconcentratiegehalte van het uitstromende gas ligt tussen 87% en 95,6%. De zuurstof wordt aan de patiënt geleverd via een neuscanule.

De Perfecto<sub>2</sub>-zuurstofconcentrator van Invacare gebruikt een moleculair filter en 'pressure swing'-adsorptiemethodiek om de zuurstofuitvoer te regelen. Lucht uit de omgeving komt in het apparaat, wordt gefilterd en vervolgens geperst. Deze perslucht wordt vervolgens naar een van de twee adsorberende filterbedden gevoerd.

Het geconcentreerde zuurstof verlaat het actieve filterbed aan de andere kant, waarna het naar een zuurstofreservoir wordt gevoerd en aan de patiënt wordt toegediend.

De Invacare Perfecto<sub>2</sub>-concentrator kan door de patiënt thuis of in een instelling worden gebruikt. Het apparaat werkt op een nominale spanning van 230 VAC/50 Hertz.



Beide concentratormodellen (IRC5PO2AW en IRC5PO2VAW) hebben dezelfde gebruiksparemeters, met uitzondering van het productgewicht en het stroomverbruik. Zie de standaardproductgegevens.

Informatie over onderhoud is op verzoek beschikbaar, alleen voor gekwalificeerd technisch personeel.

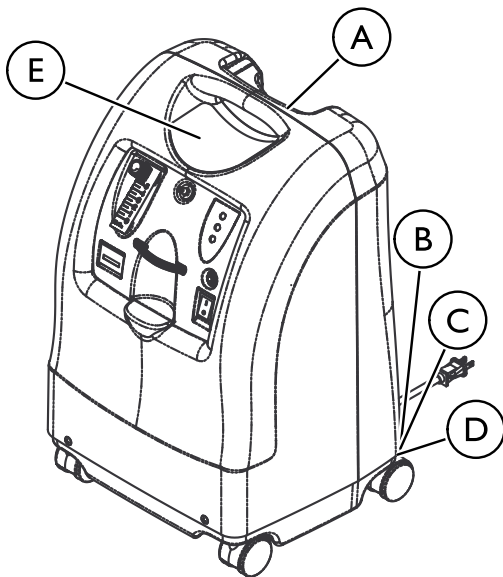
## 1.4 Contra-indicaties

Bij Invacare zijn geen contra-indicaties bekend voor de Invacare Perfecto<sub>2</sub>-concentratorserie.





## 2 Veiligheid

### 2.1 Locatie van de labels



A	Het serienummerlabel bevindt zich op de resonatoringang.
B	Het specificatielabel bevindt zich op de achterkant van de concentrator, onderaan.
C	Label van de EU-vertegenwoordiger bevindt zich op het onderstel.

D	Ftalaatlabel bevindt zich op het onderstel.
	<p style="text-align: center;"><b>Perfecto<sub>2</sub>™</b></p> <p>ZIE DE GEBRUIKSAANWIJZING OF NEEM CONTACT OP MET DE LEVERANCIER VAN UW THUISAPPARATUUR VOOR INSTRUCTIES OVER VEILIG GEBRUIK, ALARMSIGNALLEN EN GEBRUIK VAN ACCESSOIRES.</p> <hr/> <p><b>⚠ GEVAAR</b> BRANDGEVAAR - NIET ROKEN EN GEEN HITTE- OF ONTSTEKINGSBRONNEN</p> <p>Houd ALLE soorten ontstekingsmateriaal buiten de ruimte waarin dit product zich bevindt en uit de buurt van de plek waar zuurstof wordt toegediend. Textielproducten, olie en andere brandbare materialen kunnen bij zuurstofrijke lucht snel vlam vatten en intensief branden.</p> <p><b>⚠ GEVAAR</b> RISICO OP ELEKTRISCHE SCHOKKEN </p> <p>De bekleding NIET verwijderen. Laat het onderhoud over aan gekwalificeerd onderhoudspersoneel.</p> <p style="text-align: center;">HomeFill® II Compatibel</p>
E	<p style="text-align: center;"><b>Perfecto<sub>2</sub>™ V</b></p> <p>ZIE DE GEBRUIKSAANWIJZING OF NEEM CONTACT OP MET DE LEVERANCIER VAN UW THUISAPPARATUUR VOOR INSTRUCTIES OVER VEILIG GEBRUIK, ALARMSIGNALLEN EN GEBRUIK VAN ACCESSOIRES.</p> <hr/> <p><b>⚠ GEVAAR</b> BRANDGEVAAR - NIET ROKEN EN GEEN HITTE- OF ONTSTEKINGSBRONNEN</p> <p>Houd ALLE soorten ontstekingsmateriaal buiten de ruimte waarin dit product zich bevindt en uit de buurt van de plek waar zuurstof wordt toegediend. Textielproducten, olie en andere brandbare materialen kunnen bij zuurstofrijke lucht snel vlam vatten en intensief branden.</p> <p><b>⚠ GEVAAR</b> RISICO OP ELEKTRISCHE SCHOKKEN </p> <p>De bekleding NIET verwijderen. Laat het onderhoud over aan gekwalificeerd onderhoudspersoneel.</p> <p style="text-align: center;">HomeFill® II Compatibel</p>

## 2.2 Algemene richtlijnen

Om zeker te zijn van een veilige installatie, montage en werking van de concentrator, **MOETEN** deze instructies worden opgevolgd.



### **GEVAAR!**

#### **Gevaar voor beschadiging, ernstig letsel of overlijden**

Een onjuist gebruik van het product kan beschadiging, letsel of overlijden tot gevolg hebben. Dit gedeelte bevat belangrijke informatie over hoe u dit product veilig kunt bedienen en gebruiken.

- Gebruik dit product of de beschikbare optionele apparatuur **ALLEEN** wanneer u deze instructies en het eventuele aanvullende instructiemateriaal, zoals gebruikershandleidingen, servicehandleidingen of instructiebladen die bij dit product of de optionele apparatuur worden verstrekt, volledig hebt doorgelezen en begrepen.
- Als u de waarschuwingen, Let op-aanwijzingen of instructies niet begrijpt, neemt u contact op met een professionele zorgverlener, dealer of technisch medewerker voordat u dit apparaat gaat gebruiken.
- Controleer **ALLE** externe componenten en de doos op beschadigingen. Als u een beschadiging ontdekt, of als het product niet goed werkt, neemt u contact op met een technicus of met Invacare voor reparatie.
- **DE INFORMATIE IN DIT DOCUMENT KAN WORDEN GEWIJZIGD ZONDER VOORAFGAANDE KENNISGEVING.**



### **GEVAAR!**

#### **Gevaar voor beschadiging, ernstig letsel of overlijden door brand**

Textielproducten, olie of petroleumsubstanties, vet, vette substanties en andere brandbare materialen kunnen bij zuurstofrijke lucht en wanneer ze in contact komen met zuurstof die onder druk staat, snel vlam vatten en hevig branden. Om brand, beschadiging, ernstig letsel of overlijden te voorkomen:

- **NIET ROKEN** tijdens het gebruik van dit apparaat.
- **NIET GEBRUIKEN** in de buurt van **OPEN VUUR** of **ONTSTEKINGSBRONNEN**.
- **GEEN** smeermiddelen gebruiken voor de concentrator, tenzij door Invacare aanbevolen.
- **NIET ROKEN**-bordjes moeten duidelijk zichtbaar aanwezig zijn.
- Vermijd het ontstaan van vonken in de buurt van zuurstofapparatuur. Hiertoe behoren ook vonken door statische elektriciteit veroorzaakt door wrijving.
- Houd lucifers, brandende sigaretten en andere aansteekmaterialen buiten de ruimte waarin de concentrator zich bevindt en uit de buurt van de plek waar zuurstof wordt toegediend.
- Houd de zuurstofslangen, het snoer en de concentrator onder zaken zoals dekens, dekbedden, kussens en kleding vandaan, en uit de buurt van verwarmde of hete oppervlakken, zoals kachels, fornuizen en soortgelijke elektrische apparaten.



### **LET OP!**

Volgens de wet mag dit apparaat slechts door of op voorschrift van een door de lokale bevoegde instanties geautoriseerde arts worden verkocht.

- Dit apparaat mag **UITSLUITEND** door of op voorschrift van een bevoegde arts worden gekocht.



### **GEVAAR!**

#### **Gevaar voor letsel of overlijden door elektrische schokken**

Om de kans op brandwonden, elektrocutie, letsel of overlijden van personen te minimaliseren:

- Het product mag **NIET** worden gedemonteerd. Laat het onderhoud over aan gekwalificeerd onderhoudspersoneel. Het product bevat geen onderdelen waaraan de gebruiker onderhoud kan uitvoeren.
- Niet gebruiken tijdens het baden. Als de arts continu gebruik voorschrijft, moet de concentrator tijdens het baden in een andere kamer worden geplaatst, op ten minste 2,5 m van het bad.
- Raak de concentrator **NIET** aan als u nat bent.
- Plaats of bewaar de concentrator **NIET** op plaatsen waar deze in water of een andere vloeistof kan vallen.
- Haal een concentrator die in het water is gevallen **NIET** uit het water. Haal **ONMIDDELIJK** de stekker uit het stopcontact.
- Als het snoer van de wisselstroomadapter is gerafeld of beschadigd, mag u het **NIET** gebruiken.



### **WAARSCHUWING!**

#### **Gevaar voor letsel of beschadiging**

- Invacare-producten zijn speciaal ontworpen en vervaardigd voor gebruik in combinatie met Invacare-accessoires. Accessoires die door andere fabrikanten zijn ontworpen, zijn niet getest door Invacare en worden niet aanbevolen voor gebruik met Invacare-producten.
- Er zijn veel verschillende soorten bevochtigers, zuurstofslangen, canules en maskers die met dit apparaat kunnen worden gebruikt. Voor advies over welk van deze apparaten voor u het beste is, kunt u contact opnemen met uw plaatselijke thuiszorginstantie. Zij kunnen u tevens adviseren over gebruik, onderhoud en reiniging.



### **GEVAAR!**

#### **Gevaar voor letsel of overlijden**

Om verstikking of inneming van chemicaliën via verontreiniging van de luchtwegen te voorkomen:

- **GEBRUIK** de concentrator **NIET** in aanwezigheid van vervuilers, rook, wasem, ontvlambare anaesthetica, schoonmaakmiddelen of chemische dampen.

**WAARSCHUWING!****Gevaar voor letsel of overlijden**

Om letsel of overlijden door onjuist gebruik van het product te voorkomen:

- Als deze concentrator wordt gebruikt door of in de buurt van kinderen of lichamelijk gehandicapte personen, moet er nauwlettend toezicht worden gehouden.
- Als dit apparaat wordt gebruikt door patiënten die de alarmsignalen niet kunnen zien of horen, of ongemak niet kunnen aangeven, moeten zij nauwlettend worden bewaakt.

**WAARSCHUWING!****Gevaar voor letsel of overlijden**

Om verstikking en/of beknelling door de slang te voorkomen:

- Houd kinderen en huisdieren uit de buurt van de neuscanule en slang.
- Als de neuscanule wordt gebruikt door of in de buurt van kinderen of mensen met een beperking, moeten zij nauwlettend in de gaten worden gehouden.

**WAARSCHUWING!****Gevaar voor letsel of overlijden**

Om de kans op letsel of overlijden door ziekte te reduceren:

- Zorg ervoor dat de neuscanule regelmatig wordt vervangen. Neem contact op met uw leverancier of arts om te bepalen hoe vaak de neuscanule moet worden vervangen.
- Gebruik dezelfde canule NIET voor meerdere patiënten.

**WAARSCHUWING!****Gevaar voor lichamelijk letsel**

Een wijziging in hoogte kan invloed hebben op de totale hoeveelheid zuurstof die beschikbaar is. Om zuurstoftekort te voorkomen:

- Neem contact op met uw arts alvorens u op reis gaat naar hoog of laag gelegen plaatsen, om te bepalen of de uitstroominstellingen moeten worden aangepast.

**WAARSCHUWING!****Gevaar voor letsel of beschadiging**

Om letsel of beschadiging door onjuist gebruik van het netsnoer te voorkomen:

- Verplaats de concentrator NIET door aan het snoer te trekken.
- Gebruik GEEN verlengsnoeren voor de geleverde wisselstroomadapters.
- Berg de snoeren en/of de slangen goed op en zorg er tijdens gebruik voor dat niemand er over kan struikelen.



### **WAARSCHUWING!**

#### **Gevaar voor letsel of beschadiging**

Om letsel of beschadiging door onjuist gebruik te voorkomen:

- Laat de concentrator **NOOIT** onbewaakt achter als deze is ingeschakeld.
- Zorg ervoor dat de concentrator is uitgeschakeld als deze niet wordt gebruikt.
- De concentrator mag buitenshuis **UITSLUITEND** met de interne accu of de extra accu worden gebruikt.



### **WAARSCHUWING!**

#### **Gevaar voor letsel of beschadiging**

Invacare-zuurstofconcentratoren zijn speciaal ontworpen om regelmatig preventief onderhoud te minimaliseren.

Om letsel of beschadiging te voorkomen:

- Alleen professionele zorgverleners of personen die volledig op de hoogte zijn van dit proces, zoals bevoegd of door de fabriek opgeleid personeel, mogen preventief onderhoud aan de zuurstofconcentrator uitvoeren of het apparaat afstellen, met uitzondering van de taken die in deze handleiding worden beschreven.
- Neem voor onderhoud contact op met uw dealer of met Invacare.



### **LET OP!**

#### **Gevaar voor beschadiging**

Om beschadiging door instroom van vloeistoffen te voorkomen:

- Als de zuurstofconcentrator niet naar behoren werkt, op de grond is gevallen, beschadigd is geraakt of in het water is gevallen, neemt u contact op met de apparatuurleverancier of een gekwalificeerde technicus voor nader onderzoek en reparatie.
- Laat **NOOIT** een voorwerp of vloeistof in een van de openingen vallen of stromen.
- Invacare raadt u aan de concentrator niet langdurig in de regen te gebruiken.

## **2.3 Interferentie door radiofrequentie**



### **WAARSCHUWING!**

#### **Gevaar voor letsel of beschadiging**

Ter verlaging van de kans op letsel of schade aan het product door interferentie met draadloze apparatuur:

- Houd de concentrator minstens 3 m (9,8 ft) uit de buurt van draadloze communicatie-apparatuur, zoals draadloze thuisnetwerkapparaten, mobiele telefoons, draadloze telefoons en basisstations, portofoons, etc.

Tests hebben uitgewezen dat deze apparatuur voldoet aan de EMC-richtlijnen volgens IEC/EN 60601-1-2 Deze richtlijnen zijn ontwikkeld om een redelijke bescherming te bieden tegen elektromagnetische interferentie in gangbare medische installaties.

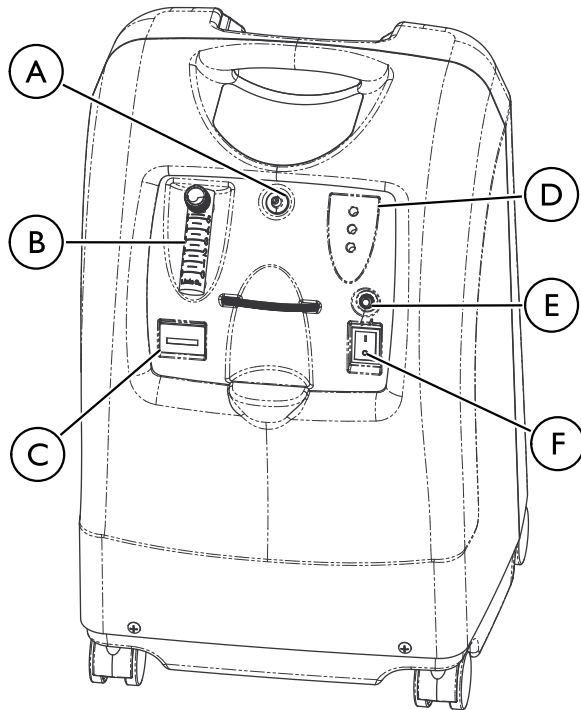
Bij andere apparaten kan er reeds van interferentie sprake zijn bij zeer lage elektromagnetische straling, zelfs als wordt voldaan aan bovengenoemde normen. Om te kunnen bepalen of emissies uit de concentrator de oorzaak zijn van de interferentie, moet u de

concentrator uitschakelen. Als de interferentie met de andere apparaten stopt, is de concentrator de oorzaak van de interferentie. In dit soort zeldzame gevallen kunt u het volgende doen om de interferentie te verminderen of te stoppen:

- Draai of verplaats de concentrator, of vergroot de afstand tussen de apparaten.
- Sluit het apparaat aan op een stopcontact dat zich in een ander circuit bevindt dan het stopcontact waarmee de andere apparaten zijn verbonden.

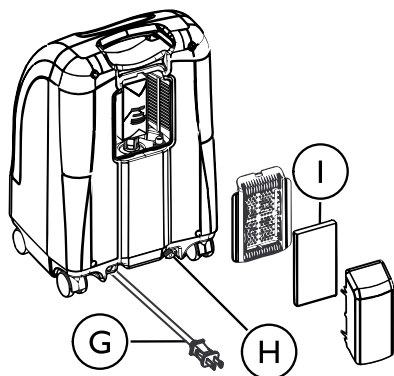
## 3 Componenten

### 3.1 Componentidentificatie



(A)	Zuurstofuitlaat
(B)	Flowmeter
(C)	Tijdmeter
(D)	Indicatorlampjes voor zuurstofzuiverheid / Defect en Power indicatorlampjes
(E)	Stroomonderbreker
(F)	Aan/uitschakelaar

## Achteraanzicht



Ⓒ	Netsnoer
Ⓗ	HomeFill-uitlaatfitting
Ⓘ	Cabinet Filter

**i** De HomeFill-uitlaatfitting **Ⓗ** mag uitsluitend worden gebruikt voor het vullen van zuurstofcilinders met de HomeFill-zuurstofcompressor voor thuisgebruik. De uitlaatfitting heeft geen invloed op de prestaties van de concentrator. Raadpleeg de HomeFill-gebruikershandleiding voor instructies omtrent de aansluiting en het gebruik. Als de concentrator niet in gebruik is, dient u de meegeleverde plug in de uitlaatfitting te plaatsen. Neem voor meer informatie over de HomeFill contact op met uw Invacare-dealer.



---

## 4 Accessoires

---

### 4.1 Optionele accessoires

Er zijn veel verschillende soorten bevochtigers, zuurstofslangen, canules en maskers die met dit apparaat kunnen worden gebruikt. Voor advies over welk van deze apparaten voor u het beste is, kunt u contact opnemen met uw plaatselijke thuiszorginstantie. Zij kunnen u tevens adviseren over gebruik, onderhoud en reiniging.

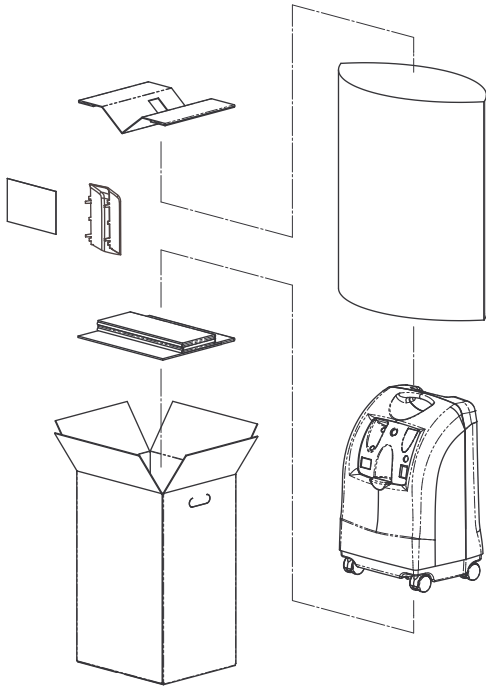
Voor de veiligheid van patiënten en omstanders moeten toedieningsaccessoires (zoals neuscanule, masker, slangen, bevochtiger) waarmee zuurstof aan de patiënt wordt toegediend altijd een voorziening hebben die de verspreiding van vuur in het accessoire tegengaat. Als een accessoire een commercieel verkrijgbaar flowstophulpmiddel bevat dat op vuur reageert, moet het zo dicht mogelijk in de buurt van de patiënt worden geplaatst.

Tevens zijn de volgende (onderstaande) optionele accessoires en vervangingsonderdelen verkrijgbaar:

- Standaardneuscanule voor volwassenen, 2,1 m (7 ft) - M3120
- Standaardbevochtiger - Invacare-onderdeelnummer 1155719
- PreciseRX™ -bevochtiger/flowmeter, accessoire voor kinderen - IRCPF16AW
- HomeFill-zuurstofcompressor voor thuisgebruik - IOH200AW
- Houder voor bevochtigingsfles - M1521
- Zuurstoftoevoerslang 2,1 m (7 ft) - MS4107
- Zuurstoftoevoerslang 6,3 m (21 ft) - MS4121
- Zuurstofslangconnector - MS4301

## 5 Montage

### 5.1 Uitpakken



1. Controleer de doos en de inhoud op beschadiging. Als de beschadiging duidelijk zichtbaar is, stel dan het vervoersbedrijf of uw plaatselijke dealer op de hoogte.
2. Verwijder al het losse verpakkingsmateriaal uit de doos.
3. Haal alle onderdelen uit de doos.



Laat de zuurstofcompressor, tenzij deze **ONMIDDELLIJK** moet worden gebruikt, in de verpakking voor opslag totdat het gebruik hiervan vereist is.

### 5.2 Inspectie

1. Inspecteer de buitenkant van de zuurstofconcentrator op sneetjes, deuken, krassen of andere beschadigingen.
2. Inspecteer alle onderdelen.

### 5.3 Opslag

1. Sla de verpakte zuurstofconcentrator op in een droge ruimte.
2. Plaats **GEEN** objecten boven op de verpakte concentrator.

## 6 Gebruik

### 6.1 Inleiding

Uw zuurstofconcentrator is bedoeld voor gebruik door één persoon, binnenshuis. Het is een elektronisch bestuurd apparaat dat zuurstof scheidt uit de lucht in de kamer. Het dient u via een neusslangetje (canule) rechtstreeks een hoge concentratie zuurstof toe. Klinisch onderzoek heeft aangetoond dat zuurstofconcentrators therapeutisch gelijkwaardig zijn aan andere typen zuurstofafgiftesystemen.

Uw leverancier zal u laten zien hoe u uw zuurstofconcentrator gebruikt. Als u vragen of problemen hebt met uw zuurstofconcentrator, dient u contact met uw leverancier op te nemen. Deze gebruikershandleiding verschaft meer informatie over uw concentrator en dient als referentie bij gebruik van uw concentrator.

### 6.2 Een ruimte kiezen



#### **WAARSCHUWING!**

##### **Gevaar voor letsel of beschadiging**

Om letsel of beschadiging door luchtvervuiling en/of dampen te vermijden en voor optimale prestaties:

- Plaats concentrator in een goed geventileerde ruimte, zodat de luchtopname en -uitvoer niet worden belemmerd.
- Blokkeer **NOOIT** de luchtopeningen van de concentrator en plaats deze niet op een zachte ondergrond, zoals een bed of een bank, omdat de luchtopeningen dan geblokkeerd kunnen raken.
- Houd de openingen vrij van stof, haren en dergelijke.
- Zorg ervoor dat er altijd ten minste 30,5 cm ruimte is tussen de concentrator en een muur, gordijn of meubelstuk.
- Gebruik de concentrator niet in aanwezigheid van vervuilers, rook, wasem, ontvlambare anaesthetica, schoonmaakmiddelen of chemische dampen.
- Plaats de concentrator in een goed geventileerde ruimte om de aanwezigheid van luchtvervuiling en/of dampen te vermijden.
- Gebruik het product **NIET** in een kast.



#### **WAARSCHUWING!**

##### **Risico op lichamelijk letsel**

Ter voorkoming van letsel tijdens therapie:

- De zuurstofconcentrator **MOET** voor gebruik op een vlak oppervlak worden gezet.
- Verplaats de zuurstofconcentrator **NIET** als die wordt gebruikt.

U kunt een kamer in uw huis kiezen waar u de zuurstofconcentrator het gemakkelijkst kunt gebruiken. Uw concentrator kan op de zwenkwieltjes gemakkelijk van de ene naar de andere kamer gerold worden.

Uw zuurstofconcentrator werkt het best wanneer hij wordt bediend onder de omstandigheden beschreven Typische productparameters.

Gebruik in een andere omgeving dan hier beschreven wordt, kan ertoe leiden dat het apparaat vaker onderhoud nodig heeft. De luchtinlaat van het apparaat moet zich in een goed geventileerd vertrek bevinden om luchtvervuiling en/of dampen te vermijden.

### 6.3 De concentrator instellen

1. Steek de stekker van het netsnoer in een stopcontact.
2. Bevochtiger aansluiten (indien voorgeschreven).

#### 6.3.1 De bevochtiger instellen



##### **WAARSCHUWING!**

##### **Gevaar voor letsel of beschadiging**

Om stoom- of heetwaterbrandwonden, inademing van water en/of waterschade aan de concentrator te voorkomen:

- Vul de bevochtigingsfles **NOOIT** met heet water. Laat gekookt water tot kamertemperatuur afkoelen voordat u de fles vult.
- De bevochtiger **NIET** boven het aangegeven peil vullen.
- Vervang de dop van de bevochtiger en draai deze stevig vast. Zorg ervoor dat de dop niet scheef op de bevochtigingsfles wordt gedraaid.
- Wissel de aansluitingen voor de aan- en afvoer van zuurstof nooit om. Als de aansluitingen voor de aan- en afvoer worden verwisseld, wordt het water uit de bevochtigingsfles via de canule teruggeleid naar de patiënt.
- Als u gebruikmaakt van slangen die langer zijn dan 2,1 m (7 ft), moet de bevochtiger zo dicht mogelijk bij de patiënt worden geplaatst voor een maximale bevochtiging.



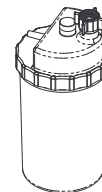
### **WAARSCHUWING!**

#### **Gevaar voor letsel of beschadiging**

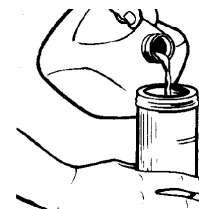
Als de bevochtigingsfles of andere accessoires niet naar behoren worden geïnstalleerd, stroomt de zuurstof minder goed.

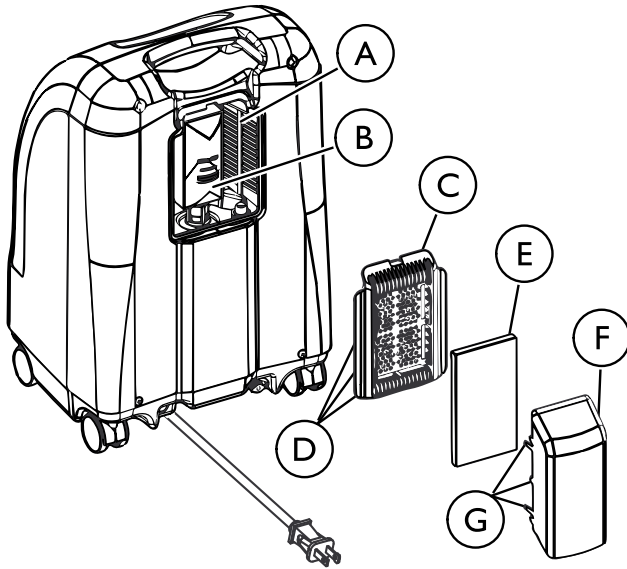
- Controleer of de zuurstofconcentrator en accessoires goed functioneren door het uiteinde van de neuscanule onder te dompelen in een half glas water en te kijken of er luchtbelletjes te zien zijn.
- Als er geen luchtbelletjes zijn, controleert u alle verbindingen (inclusief die van de bevochtigingsfles en andere accessoires, indien van toepassing) en herhaalt u de procedure. Als de luchtbelletjes uitblijven, dient u onmiddellijk contact op te nemen met uw dealer of leverancier.

### **Luchtbevochtiger Fles met Cap**



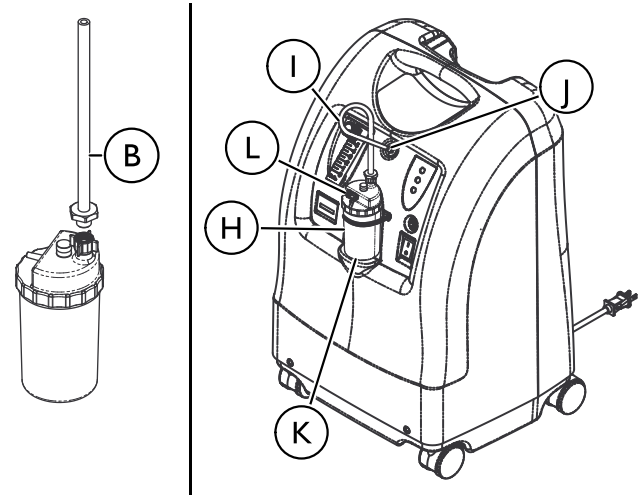
### **Luchtbevochtiger fles zonder Cap**





1. Verwijder de dop van de fles.
2. Vul bevochtigingsfles tot aan de door de fabrikant aangegeven markering met gekookt leidingwater of water uit de fles. Laat het leidingwater ongeveer 10 minuten lang koken en laat het vervolgens tot kamertemperatuur afkoelen voordat u het gebruikt.
3. Plaats een platkopschroevendraaier in sleuf op de bovenrand van toegangspoort © van de filter en wrik de poort voorzichtig los.
4. Trek adapter ② van de bevochtigingsfles (naast inlaatfilter) omhoog en verwijder deze.


5. Vervang de toegangspoort © van de filter en plaats de luchtschep ⑥ ⑦ erop door de zes lipjes ⑧ op de luchtschep in de zes sleuven ⑨ op de zijkanten van de toegangspoort van de filter te plaatsen.



6. Bevestig de adapter van de bevochtigingsfles ② aan de bevochtigingsfles door de vleugelmoer tegen de wijzers van de klok in op de bevochtigingsfles te draaien tot deze stevig vastzit.

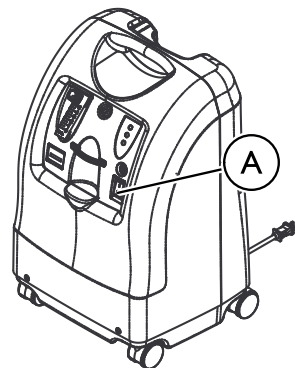
7. Kies een locatie voor de bevochtigersfles/adapter:

- Bevestig wanneer u de bevochtigersfles in het compartiment van de concentrator plaatst de slang ① van de bevochtigersfles/adapter op de zuurstofuitlaatconnector ① van de concentrator.
- Als u de bevochtigersfles in de buurt van de patiënt wilt plaatsen, plaatst u de bevochtigersfles/adapter in de bevochtigersfleshouder Ⓚ (M1521, zie Optionele accessoires) op een vlakke ondergrond zo dicht mogelijk bij de patiënt. Bevestig een zuurstofslangconnector (MS4301, zie Optionele accessoires) aan het uiteinde van de slang van de bevochtigersfles/adapter. Sluit het ene uiteinde van de zuurstoftoevoerslang (MS4107 of MS4121, Optionele accessoires) aan op het vrije uiteinde van de zuurstofslangconnector en het andere uiteinde op de zuurstofuitlaatconnector van de concentrator.


 Als u gebruikmaakt van slangen die langer zijn dan 2,1 m (7 ft), moet de bevochtiger zo dicht mogelijk bij de patiënt worden geplaatst voor een maximale bevochtiging.

8. Bevestig de toevoerslang van de neuscanule van de patiënt op uitlaat ② van de bevochtigersfles.
9. Controleer of er na montage zuurstof door de neusslang stroomt.

### 6.3.2 De concentrator inschakelen



1. Zet de aan-/uitschakelaar Ⓐ op Aan.

 Alle paneellampjes en het hoorbare alarm gaan gedurende één seconde aan ter aanduiding dat het apparaat naar behoren functioneert.

### 6.3.3 Stroomsnelheid

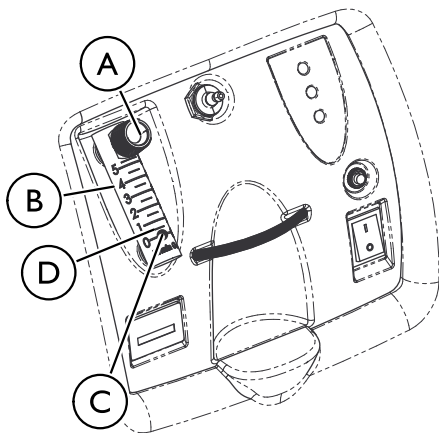


#### WAARSCHUWING!

#### Gevaar voor lichamelijk letsel

Om letsel door te veel of juist te weinig zuurstof te voorkomen:

- U mag de l/min.-instelling op de flowmeter NIET veranderen, tenzij uw arts of therapeut deze verandering heeft voorgeschreven.



Stel de flow niet hoger in dan de RODE ring. Als de zuurstofflow hoger wordt dan 5 l/min, neemt de zuurstofconcentratie af.

1. Draai de stroomsnelheidknop naar de **A** door uw arts of therapeut voorgeschreven stand.



Om de flowmeter goed **B** af te kunnen lezen, zoekt u het streepje van de voorgeschreven stroomsnelheid op de flowmeter. Draai de stroomsnelheidsknop vervolgens tot de bal tot deze streep omhoog komt. Centreer de bal **C** nu op het voorgeschreven l/min-streepje.

2. Als de flowsnelheid op de flowmeter langer dan ongeveer één minuut onder de 0,5 l/min **D** blijft, gaat het signaal bij mogelijke obstructie af. Dit is een geluidsalarm dat bestaat uit snelle pieptonen. Controleer de slangen en de accessoires op een geblokkeerde of geknikte slang of een defecte bevochtigingsfles. Het signaal bij mogelijke obstructie gaat uit zodra de flowsnelheid weer is teruggebracht tot tussen de 0,5 l/min en 0,75 l/min.



Bij gebruik van sommige accessoires, zoals de PreciseRx™ flowmeter voor kinderen en de HomeFill-compressor, wordt het signaal bij mogelijke obstructie gedeactiveerd.

### 6.3.4 SensO<sub>2</sub> indicator voor zuurstofzuiverheid

Deze functie bewaakt de zuiverheid van de zuurstof die gegenereerd wordt door de zuurstofconcentrator. Als de zuiverheid lager wordt dan de in de fabriek vooraf ingestelde waarde, gaan de indicatielampjes op het bedieningspaneel branden.

### 6.3.5 De concentrator aanzetten

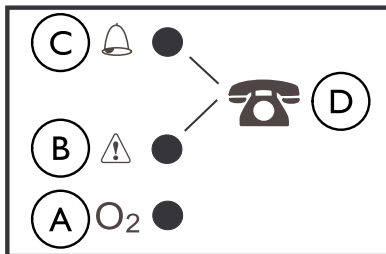






De concentrator mag tijdens de eerste opwarmperiode (ongeveer 30 min.) gebruikt worden terwijl u wacht tot de maximale O<sub>2</sub>-zuiverheid wordt bereikt.



Wanneer het apparaat aangezet wordt, gaat het GROENE lampje branden (SYSTEEM OK/O<sub>2</sub> meer dan 85%). Na vijf minuten werkt de zuurstofsensoren normaal en bestuurt de indicatielampjes, afhankelijk van de waarde van de zuurstofconcentratie.

### 6.3.6 Verklaring van de indicatielampjes voor zuurstofzuiverheid



	Lampje	Symbol	Toelichting
Ⓐ	GROEN lampje	(O <sub>2</sub> )	Normale werking
Ⓑ	GEEL lampje		Bel onmiddellijk uw leverancier. U kunt de concentrator blijven gebruiken, tenzij uw leverancier iets anders adviseert. Zorg dat er een zuurstofreserve in de buurt is.
Ⓒ	ROOD lampje		Apparaat wordt geheel uitgeschakeld. Schakel onmiddellijk over op de zuurstofreserve en bel uw leverancier.
Ⓐ/Ⓑ	GROEN lampje met GEEL knipperend lampje.	(O <sub>2</sub> ) en 	Bel onmiddellijk uw leverancier. Zuurstofsensoren is defect; u kunt de concentrator blijven gebruiken.
Ⓓ	—		Bel leverancier

### 6.3.7 Verstrekkentijd-meter (Uurmeter)

De uurmeter geeft het cumulatieve aantal uren weer dat het apparaat gewerkt heeft. Zie EIGENSCHAPPEN voor de specifieke locatie.

## 7 Onderhoud

### 7.1 Het cabinet reinigen



#### **GEVAAR!**

#### **Gevaar voor letsel of beschadiging**

Invacare-zuurstofconcentratoren zijn speciaal ontworpen om regelmatig preventief onderhoud te minimaliseren.

Om letsel of beschadiging te voorkomen:

- Preventief onderhoud aan de zuurstofconcentrator mag alleen worden gepleegd door gekwalificeerd personeel.
- De kast NIET verwijderen.



#### **GEVAAR!**

#### **Gevaar voor letsel of beschadiging**

Vloeistoffen kunnen de interne componenten van de concentrator beschadigen. Om letsel of beschadiging door elektrische schokken te voorkomen:

- Schakel de concentrator uit en haal het netsnoer uit het stopcontact voordat u de unit schoonmaakt.
- Er mag GEEN reinigingsvloeistof in de luchtinlaat- en uitlaatopeningen van de unit terechtkomen.
- Spray of veeg GEEN schoonmaakmiddelen rechtstreeks op de kast.
- U mag het product NIET schoonspuiten met een slang.



#### **LET OP!**

#### **Gevaar voor beschadiging**

Agressieve chemische reinigingsmiddelen kunnen de concentrator beschadigen. Om beschadiging te voorkomen:

- Maak de kast, de draagtas of de filter NIET schoon met alcohol of alcoholhoudende middelen (isopropylalcohol), geconcentreerde producten op chloorbasis (ethyleenchloride) en producten op oliebasis ((Pine-Sol<sup>®</sup>, Lestoil<sup>®</sup>), of andere bijtende chemische middelen. Gebruik een mild vloeibaar vaatwasmiddel (zoals Dreft<sup>™</sup>).



Preventief onderhoud MOET minimaal volgens de richtlijnen van het onderhoudsschema uitgevoerd worden. Op plaatsen met veel stof of roet kan het apparaat meer onderhoud nodig hebben. Raadpleeg de onderhoudscontrolelijst.

Reinig de kast van de concentrator regelmatig als volgt:

1. Gebruik een vochtige doek of spons met een mild afwasmiddel, zoals Dawn<sup>™</sup>, om de buitenzijde voorzichtig te reinigen.
2. Laat de concentrator aan de lucht drogen, of wrijf deze droog met een droge handdoek, voordat u de concentrator weer gaat gebruiken.

## 7.2 Het cabinetfilter reinigen



### LET OP!

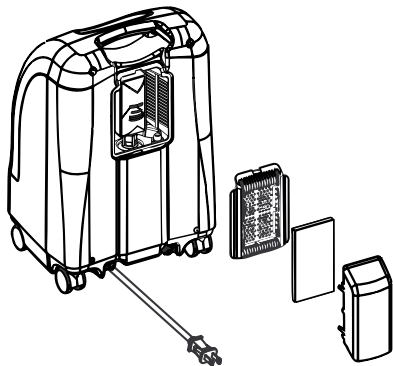
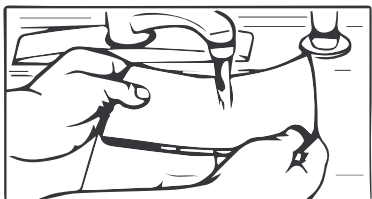
#### Gevaar voor beschadiging

Om beschadiging door verstopping te voorkomen:

- Gebruik de concentrator NIET zonder geïnstalleerde luchtinlaatfilter.



Een van de kastfilters bevindt zich aan de achterzijde van de kast.




1. Verwijder en reinig de filter A indien nodig.




Omgevingscondities die een frequentere controle en reiniging van de filter kunnen vereisen omvatten, maar zijn niet beperkt tot: hoge aanwezigheid van stof, luchtvervuiling enz.

2. Reinig de kast filter met een stofzuiger of wassen met een mild afwasmiddel (zoals Dawn™) en water. Naspoelen.
3. Maak de filter goed droog en controleer deze op rafels, afbrokkelende delen, scheuren en gaten. Vervang de filter als er schade wordt geconstateerd.
4. Plaats de kastfilter terug.

### 7.3 Reiniging en thermische desinfectie van de bevochtiger

 Reinig en desinfecteer de zuurstofbevochtiger dagelijks om kalksteenaanslag te verminderen en bacteriële besmetting te voorkomen. Volg de instructies van de fabrikant op. Als er geen instructies bij het product zijn geleverd, voert u de volgende stappen uit:

1. Was de bevochtiger met zeepsop en spoel af met een oplossing van tien delen water en één deel azijn.
2. Spoel de bevochtiger grondig af met heet water.
3. Laat de bevochtiger volledig aan de lucht drogen.

 Om de groei van bacteriën te beperken, laat u de bevochtiger na het reinigen aan de lucht drogen als u deze niet gebruikt. Raadpleeg Instellen voor gebruik.

### 7.4 Reiniging en desinfectie tussen verschillende patiënten




#### **WAARSCHUWING!**

#### **Gevaar voor letsel of beschadiging**

Om letsel door infecties of schade aan de concentrator te voorkomen:

- Reiniging en desinfectie van de zuurstofconcentrator en de accessoires tussen verschillende patiënten mag alleen worden uitgevoerd door gekwalificeerd personeel.

 Volg de onderstaande instructies om de uitwisseling van pathogenen tussen patiënten te voorkomen die het gevolg kan zijn van besmette onderdelen of accessoires. Voer indien nodig tegelijkertijd preventief onderhoud uit.

1. Verwijder of vervang alle patiëntaccessoires die niet geschikt zijn voor gebruik door meerdere patiënten, met inbegrip van maar niet beperkt tot:
  - Neuscanules en slangen
  - Masker
  - Bevochtiger
2. Volg de onderhoudsprocedures die worden beschreven in deze handleiding en voor de onderdelen op de controlelijst voor preventief onderhoud
3. Controleer de concentrator op externe beschadigingen of tekenen die erop wijzen dat onderhoud of reparatie nodig is.
4. Controleer of de concentrator en de alarmen naar behoren functioneren.
5. Alvorens het product opnieuw te verpakken en naar de nieuwe patiënt op te sturen, dient u te controleren of de volgende onderdelen aanwezig zijn: concentrator, netsnoer, luchtinlaat, montage-instructies, bevochtiger, canule, labels en gebruikershandleiding.

## 7.5 Controlelijst preventief onderhoud

ModelNr:

Serienr:

<b>BIJ ELKE CONTROLE</b>							
Noteer servicedatum							
Noteer aantal verstreken uren op uurmeter							
Reinig de kastfilter(s)							
Controleer voorgeschreven l/min. stroomsnelheid							
<b>TIJDENS PREVENTIEF ONDERHOUD OF TUSSEN PATIËNTEN</b>							
<b>APPARATEN MET SensO<sub>2</sub> — ELKE 26.280 UUR</b>							
Controleer de zuurstofconcentratie*							
Reinig/vervang de kastfilter							
Controleer/vervang de HEPA-uitlaatfilter*							
Controleer/vervang de compressorinlaatfilter*							
Controleer stroomuitvalalarm							

 26.820 uur komt overeen met een gebruiksduur van 24 uur per dag en 7 dagen per week gedurende 3 jaar.

\*Uit te voeren door de leverancier of een gekwalificeerde onderhoudstechnicus. Zie de servicehandleiding.

## 8 Na gebruik

### 8.1 Informatie over recycling

Dit product is afkomstig van een milieubewuste fabrikant conform richtlijn 2012/19/EU betreffende afgedankte elektrische en elektronische apparatuur (AEEA). Dit product bevat mogelijk stoffen die schadelijk kunnen zijn voor het milieu wanneer ze worden verwijderd op plaatsen (stortterreinen) die niet in overeenstemming zijn met de wetgeving.

Volg de lokale beheersvoorschriften en recyclingprogramma's met betrekking tot het afvoeren van de concentrator of van de onderdelen die gewoonlijk worden gebruikt. Tijdens het gebruik worden er door de concentrator geen afval of resten geproduceerd.

- Voer de concentrator NIET af met de normale afvalverwerking.
- Accessoires die geen onderdeel zijn van de concentrator MOETEN worden behandeld conform de betreffende productmarkering voor afvoer.
- Gooi de interne accu en de extra accu NIET weg. Beide accu's moeten worden teruggegeven aan uw dealer/leverancier.

Invacare® werkt er continu aan om ervoor te zorgen dat het effect van het bedrijf op het milieu, zowel lokaal als internationaal, zo veel mogelijk wordt beperkt. Wij leven de huidige milieuwetgeving na (bijvoorbeeld de richtlijnen inzake AEEA en RoHS). Wij maken uitsluitend gebruik van materialen en onderdelen die voldoen aan de REACH-richtlijnen.

### 8.2 Slijtage

Invacare behoudt zich het recht voor om onderdelen met vermeende constructiefouten terug te vragen. Zie de bij het product geleverde Garantie voor specifieke informatie over de garantie.

Zie de gebruikershandleiding voor een degelijk preventief onderhoudsschema en het juiste gebruik van het product.

Dit is slechts een algemene richtlijn en geldt niet voor onderdelen die door verkeerd gebruik zijn beschadigd.

Hieronder vindt u een lijst van productonderdelen die onderhevig zijn aan normale slijtage.

- Alle soorten filters
- Alle soorten slangen
- Alle soorten accu's, inclusief accu's met loodzuur/lithium of gel, alsook knoopbatterijen (voor horloges) (6 maanden)



Filtermateriaal is poreus en aan slijtage onderhevig. Enkele factoren die de levensduur van filtermateriaal kunnen beïnvloeden zijn vochtigheid, temperatuur, aanwezigheid van deeltjes, luchtverontreiniging, luchttoevoer, trillingen of andere omgevingsinvloeden.


## 9 Storingen verhelpen

### 9.1 Storingen verhelpen

SYMPTOOM	VERMOEDELIJKE OORZAAK	OPLOSSING
<p><b>Alarm:</b></p> <p>Korte pieptonen, lange pauze</p> <p>Concentrator werkt niet, schakelaar is AAN.</p> <p>Piep.....piep.....</p>	<p><b>Stroomuitval:</b></p> <ol style="list-style-type: none"> <li>1. Netsnoer NIET aangesloten.</li> <li>2. Geen stroom op stopcontact.</li> <li>3. Doorgeslagen stroomonderbreker.</li> </ol>	<ol style="list-style-type: none"> <li>1. Steek stekker in stopcontact.</li> <li>2. Controleer stroomonderbrekers of zekeringen van het huis. Bij terugkerend probleem een ander stopcontact gebruiken.</li> <li>3. Reset de stroomonderbreker door erop te duwen. Bel uw leverancier als het probleem opnieuw optreedt.</li> </ol>
<p><b>Alarm:</b></p> <p>Continu</p> <p>Concentrator werkt niet, schakelaar is AAN.</p> <p>Pieeeeeeeep....</p>	<p><b>Systeemstoring:</b></p> <ol style="list-style-type: none"> <li>1. Apparaat is oververhit wegens geblokkeerde luchtinlaat.</li> <li>2. Onvoldoende stroom op stopcontact.</li> <li>3. Interne reparatie noodzakelijk.</li> </ol>	<ol style="list-style-type: none"> <li>1.             <ol style="list-style-type: none"> <li>a. Verwijder en reinig cabinetfilters.</li> <li>b. Plaats zuurstofconcentrator op ten minste 30,5 cm afstand van muren, gordijnen of meubels.</li> </ol> </li> <li>2. Gebruik GEEN verlengsnoeren. Gebruik een ander stopcontact of stroomkring.</li> <li>3. Bel technische dienst.</li> </ol>


SYMPTOOM	VERMOEDELIJKE OORZAAK	OPLOSSING
<p><b>Alarm:</b></p> <p>GEEL of ROOD lampje brandt.</p> <p>Alarm: ROOD lampje brandt constant</p> <p>* Alleen van toepassing op IRC5PO2AW &amp; IRC5PO2VAW</p>	<p><b>Systeemstoring:</b></p> <ol style="list-style-type: none"> <li>1. Lage zuurstofzuiverheid.*</li> <li>2. Geknikte of geblokkeerde slang, canule of bevochtiger.*</li> <li>3. Flowmeter ingesteld op 0,5 l/min.*</li> <li>4. Apparaat is oververhit wegens geblokkeerde luchtinlaat.</li> <li>5. Onvoldoende stroom op stopcontact.</li> <li>6. Interne reparatie noodzakelijk.</li> </ol>	<ol style="list-style-type: none"> <li>1. Reinig of vervang filters.</li> <li>2. Controleer op knikken of blokkeringen. Corrigeer, reinig of vervang artikel. Schakel de stroom na correctie 60 seconden Uit en schakel de stroom vervolgens weer Aan.</li> <li>3. Controleer of de flowmeter is ingesteld op 1,0 l/min of hoger. Zie Standaardproductgegevens</li> <li>4. <ol style="list-style-type: none"> <li>a. Verwijder en reinig cabinetfilters.</li> <li>b. Plaats concentrator op ten minste 30,5 cm afstand van muren, gordijnen of meubels.</li> </ol> </li> <li>5. Gebruik GEEN verlengsnoeren. Gebruik een ander stopcontact of stroomkring.</li> <li>6. Bel technische dienst.</li> </ol>
<p>GROEN lampje met GEEL knipperend lampje.</p>	<ol style="list-style-type: none"> <li>1. Interne reparatie noodzakelijk.</li> </ol>	<ol style="list-style-type: none"> <li>1. Bel technische dienst.</li> </ol>



SYMPTOOM	VERMOEDELIJKE OORZAAK	OPLOSSING
<p><b>Alarm:</b></p> <p>Snel Piep....piep... Piep....piep</p>	<p><b>Signaal bij mogelijke obstructie</b></p> <ol style="list-style-type: none"> <li>1. Mogelijke interne obstructie in de zuurstofroute. Geknikte of geblokkeerde slang, canule of bevochtiger.</li> <li>2. Flowmeter ingesteld op 0,5 l/min</li> </ol>	<ol style="list-style-type: none"> <li>1. Controleer op knikken of blokkeringen. Corrigeer, reinig of vervang artikel. Schakel de stroom na correctie 60 seconden Uit en schakel de stroom vervolgens weer Aan.</li> <li>2. Stroomsnelheden van minder dan 1 l/min worden niet aanbevolen</li> </ol> <p> Bij gebruik van de flowmeter voor kinderen wordt het signaal bij mogelijke obstructie gedeactiveerd.</p>

## 10 Technische Specificaties

### 10.1 Typische productparameters

Elektrische vereisten:	230 VAC + 10, -15% (253 VAC/195.5 VAC), 50 Hz
Nominale ingangsstroom:	1,5 A
Geluidsnivo:	40 dBA max
Hoogte:	Tot 1828 meter boven zeeniveau zonder vermindering van het concentratieniveau. Niet aanbevolen voor gebruik boven 1828 meter. Bereik van atmosferische druk: 101,33 kPa - 81,22 kPa
Concentratieniveaus zuurstofuitvoer:	87% tot 95,6% bij 0,5 tot 5 l/min 93% ± 3% tot 2 l/min  Concentratieniveau bereikt na eerste opwarmperiode (ca. 30 minuten).
Maximum uitlaatdruk:	34,5 kPa ± 3,45 kPa (5 psi ± 0,5 psi)
Flow bereik:	0,5 tot 5 l/min (maximum). Voor flow snelheden van minder dan 1 l/min raden wij het gebruik aan van de Invacare Flowmeter voor kinderen (IRCPF16AW).
Signaal bij mogelijke obstructie:	0 l/min tot 0,5 l/min De concentrator detecteert een toestand die kan wijzen op een mogelijke obstructie van de zuurstofuitvoer. Snel hoorbaar piepsignaal (dit signaal is gedeactiveerd wanneer er accessoires zijn aangesloten). Kan optreden bij een flowinstelling van 0,5 l/min of minder.
Stroomverbruik:	Perfecto <sub>2</sub> AW - 300 W een T 5 l/min, 280 W een T 3 L/min Perfecto <sub>2</sub> VAW - 320 W een T 5 l/min

Drukontlastingsmechanisme werkzaam bij:	24 l kPa ± 24, l kPa (35 psi ± 3,5 psi)
Verandering van de maximale aanbevolen flowsnelheid bij uitoefening van tegendruk van 7k Pa:	0,7 l/min
Filters:	Cabinet, HEPA-uitlaat en compressor-inlaat
Veiligheidssysteem:	Uitschakeling bij overbelasting of stroomstoot Uitschakeling bij hoge temperatuur compressor Uitschakeling bij Hoge druk alarm Uitschakeling bij Lage druk alarm Batterijloos stroomuitvalalarm Signaal bij mogelijke obstructie van het SensO <sub>2</sub> -zuurstofsysteem.
Breedte:	38, l cm ± 1 cm (15 in ± 3/8 in)
Hoogte:	58,4 cm ± 1 cm (23 in ± 3/8 in)
Diepte:	30,5 cm ± 1 cm (12 in ± 3/8 in)
Gewicht:	Perfecto <sub>2</sub> AW Modellen - 20,5 kg ± 1 kg (45 lbs ± 2 lbs) Perfecto <sub>2</sub> VAW Modellen - 18, l kg ± 1 kg (40 lbs ± 2 lbs)
Vervoersgewicht:	Perfecto <sub>2</sub> AW Modellen - 22,7 kg ± 1 kg (50 lbs ± 2 lbs) Perfecto <sub>2</sub> VAW Modellen - 20,4 kg ± 1 kg (45 lbs ± 2 lbs)
Operationele Omgevingscondities:	10°C - 35°C een T 20-60% relatieve vochtigheid
Cabinet:	Schokbestendige, vlamvertragende kunststof behuizing die voldoet aan UL 94-V0
Geen AP/APG	Niet geschikt voor gebruik in de aanwezigheid van een ontvlambaar narcosemengsel

Overzicht normen en regelgeving:	IEC/EN60601-1, A1, A2 IEC/EN60601-1-2 IEC/EN61000-3-2 IEC/EN61000-3-3, ISO8359 MDD 93/42/EEC, Annex I en IX
CE-markering Model	IRC5PO2AW/IRC5PO2VAW
Elektriciteit:	Geen verlengsnoeren
Plaatsing:	Niet op minder dan 30,5 cm (12 inch) van een muur, gordijnen, meubels of vergelijkbare oppervlakken, zodat er voldoende lucht kan stromen. Vermijd hoogpolig tapijt, kachels, radiatoren en heteluchtblazers. Alleen op de vloer plaatsen. Geen besloten ruimten (bijvoorbeeld niet in een kast).
Slangen:	2,1 m canule met een knikvaste slang van maximaal 15 m (NIET afklemmen).
Bedrijfsduur:	Maximaal 24 uur per dag
Aanbevolen opslag- en transporttemperatuur:	-29 °C tot 65 E 94 °C bij 15-95% relatieve luchtvochtigheid
Omgeving:	Rook- en roetvrij. Geen begrensde ruimten (Voorbeeld: geen kasten).
Minimale bedrijfsduur:	30 Minuten

Notes

---

# Sommaire

---

Ce manuel DOIT être remis à l'utilisateur du produit. Lire ce manuel AVANT d'utiliser ce produit, et le conserver en cas de besoin.

<b>I Généralités</b>	<b>70</b>
1.1 Pictogrammes	70
1.2 Utilisation prévue	72
1.3 Description	72
1.4 Contre-indications	73
<b>2 Sécurité</b>	<b>74</b>
2.1 Emplacements des étiquettes	74
2.2 Consignes générales	75
2.3 Interférences radio-électriques	78
<b>3 Composants et fonction</b>	<b>79</b>
3.1 Identification des composants	79
<b>4 Accessoires</b>	<b>81</b>
4.1 Accessoires en option	81
<b>5 Réglages (Mise en service)</b>	<b>82</b>
5.1 Déballage	82
5.2 Contrôle	82
5.3 Rangement	82
<b>6 Utilisation</b>	<b>83</b>
6.1 Introduction	83
6.2 Choisir Un Endroit	83
6.3 Configuration du concentrateur	84
6.3.1 Configuration de l'humidificateur	84
6.3.2 Mise en marche du concentrateur	87
6.3.3 Débit	88
6.3.4 Indicateur de pureté de l'oxygène SensO <sub>2</sub>	88

6.3.5 Mise en marche initiale du concentrateur	88
6.3.6 Explication des voyants de pureté de l'oxygène	89
6.3.7 Compteur horaire (Compteur D'heures)	89
<b>7 Maintenance</b>	<b>90</b>
7.1 Nettoyage du Coffret	90
7.2 Nettoyage des filtres	91
7.3 Nettoyage et désinfection thermique de l'humidificateur	92
7.4 Nettoyage et désinfection entre les patients	92
7.5 Liste de vérification pour l'entretien préventif	93
<b>8 Après l'utilisation</b>	<b>95</b>
8.1 Informations relatives au recyclage	95
8.2 Usure normale	95
<b>9 Résolution de problèmes</b>	<b>96</b>
9.1 Résolution de problèmes	96
<b>10 Caractéristiques techniques</b>	<b>99</b>
10.1 Paramètres Types Du Produit	99

# I Généralités

## I.1 Pictogrammes

Les symboles d'avertissement utilisés dans le présent manuel s'appliquent aux risques ou aux pratiques dangereuses qui pourraient provoquer des blessures ou des dommages matériels. Reportez-vous au tableau suivant pour connaître la définition des mentions d'avertissement.



### **DANGER !**

– Danger indique une situation dangereuse imminente qui, si elle n'est pas évitée, provoquera des blessures graves ou la mort.



### **AVERTISSEMENT !**

– Avertissement indique une situation potentiellement dangereuse qui, si elle n'est pas évitée, est susceptible de provoquer des blessures graves ou la mort.



### **ATTENTION !**

– Attention indique une situation potentiellement dangereuse qui, si elle n'est pas évitée, peut résulter dans des dommages matériels et/ou des blessures légères.



Donne des conseils, recommandations et informations utiles pour une utilisation efficace et sans souci.

## Symbols in Documentation



Lire le manuel



Interdiction De Fumer



Flamme nue interdite



Classe II, double isolation



Courant alternatif



Équipement de type BF



Recyclez



NE PAS jeter avec les déchets ménagers



Danger électrique



Conserver au sec



Représentant CE



Fabricant



Appeler le prestataire



Ce produit est conforme à la Directive 93/42/CEE sur les dispositifs médicaux.

La date de lancement de ce produit est indiquée dans la déclaration de conformité CE.

Pour en savoir plus sur le marquage CE, consultez les paramètres types du produit.

### Symboles apposés sur le produit



En marche



À l'arrêt

### Indicateurs O<sub>2</sub>

SYMBOLE	PURETÉ O <sub>2</sub>	VOYANTS LUMINEUX (DEL)
O <sub>2</sub>	SYSTÈME CORRECT O <sub>2</sub> au-dessus de 85 %	Voyant lumineux VERT
	O <sub>2</sub> entre 73 % et 85 %	Voyant lumineux JAUNE A. Jaune fixe B. Jaune clignotant Échec du capteur. Appeler un technicien qualifié
	ÉCHEC SYSTÈME O <sub>2</sub> au-dessous de 73 %	Voyant lumineux ROUGE Alarme sonore continue Arrêt du compresseur Sieve-GARD™



## 1.2 Utilisation prévue

Votre concentrateur d'oxygène est prévu pour un usage individuel par les patients souffrant de troubles respiratoires et qui nécessitent un apport en oxygène. Le dispositif n'est pas prévu pour maintenir en vie ou pour prolonger la vie. Le concentrateur est conçu pour une utilisation à domicile ou dans un établissement de soins.



### **DANGER !**

#### **Risque De Blessure Ou De Décès**

Ce produit doit être utilisé pour assurer un complément d'oxygène et non pour servir d'appareil de réanimation et de maintien des fonctions vitales. N'utilisez ce produit QUE si le patient est capable de respirer spontanément, d'inspirer et d'expirer sans l'utilisation d'une machine.

- N'utilisez PAS le concentrateur en parallèle ou en série avec d'autres concentrateurs d'oxygène ou appareils d'oxygénothérapie.



### **DANGER !**

#### **Risque De Blessure Ou De Décès**

En fonction de leur état de santé, les patients sous oxygène à un débit supérieur à 5 l/m courent un risque accru de blessure grave voire mortelle en cas de panne.

- TOUJOURS discuter de ce risque accru avec le professionnel de santé AVANT d'utiliser ce produit si le débit prescrit est supérieur à 5 l/m.



### **DANGER !**

#### **Risque De Blessure Ou De Décès**

Invacare s'efforce de fabriquer et de fournir un concentrateur d'oxygène de qualité. Néanmoins, la production d'oxygène peut être interrompue en raison d'une coupure de courant ou d'un dysfonctionnement du dispositif.

- TOUJOURS garder à portée de main une source d'oxygène de secours.
- Si le concentrateur ne parvient pas à produire de l'oxygène, une alarme retentit pour inviter le patient à passer à la source de secours d'oxygène. Pour en savoir plus, se reporter à la section « Dépannage »



### **AVERTISSEMENT !**

#### **Risque De Blessures Ou De Dommages Matériels**

L'utilisation de ce produit en dehors de celle prévue et des paramètres du produit n'a pas été testée et peut entraîner des dommages, une panne ou des blessures.

- N'utilisez ce produit QUE dans le cadre décrit dans les sections de l'utilisation prévue et des paramètres du produit du présent manuel.

## 1.3 Description

Le concentrateur Invacare Perfecto<sub>2</sub> est destiné à des patients qui souffrent de troubles respiratoires et ont besoin d'un appoint en oxygène. Le dispositif n'a pas vocation à maintenir artificiellement en vie.

Le taux de concentration d'oxygène varie de 87 à 95,6 %. L'apport en oxygène au patient se fait à l'aide d'une canule nasale.

Le concentrateur Invacare Perfecto<sub>2</sub> applique un procédé de tamis moléculaire et d'adsorption modulée en pression pour produire

L'oxygène en sortie. L'air ambiant pénètre dans le dispositif, il est filtré et comprimé, puis envoyé vers un des tamis moléculaires d'adsorption d'azote.

L'oxygène concentré sort par l'extrémité opposée du tamis moléculaire actif et il est dirigé vers un réservoir d'oxygène en vue d'être administré au patient.

Le concentrateur Invacare Perfecto<sub>2</sub> peut être utilisé par le patient à son domicile ou dans un établissement de soins. Le dispositif fonctionne avec une tension nominale de 230 V c.a./50 Hertz.



Les deux modèles de concentrateurs (IRC5PO2AW et IRC5PO2VAW) intègrent les mêmes paramètres de fonctionnement, mais présentent des différences au niveau du poids et de la consommation électrique. Se reporter aux paramètres types du produit.

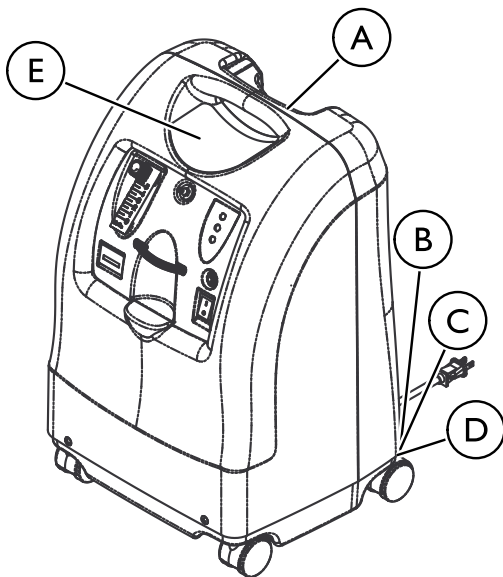
Les informations relatives à l'entretien sont disponibles sur demande auprès du personnel technique qualifié uniquement.

## 1.4 Contre-indications

Invacare n'a pas connaissance de contre-indications concernant la gamme de concentrateurs Invacare Perfecto<sub>2</sub>.

## 2 Sécurité

### 2.1 Emplacements des étiquettes



A	L'étiquette du numéro de série se trouve sur le montage d'entrée du résonateur.
B	La plaque d'identification se trouve à l'arrière du concentrateur au niveau de sa base.
C	L'étiquette du distributeur européen se situe sur la base.

D	L'étiquette indiquant l'absence de phtalate se situe sur la base.
E	<div style="border: 1px solid black; border-radius: 15px; padding: 10px; margin-bottom: 10px;"> <p style="text-align: center;"><b>Perfecto<sub>2</sub>™</b></p> <p>CONSULTER LE MANUEL D'UTILISATION OU CONTACTER LE FOURNISSEUR D'EQUIPEMENTS DE SOINS À DOMICILE POUR OBTENIR DES INSTRUCTIONS D'UTILISATION SÛRES, DES INFORMATIONS SUR LES ALARMES, LES ALERTES SONORES ET L'EMPLOI DES ACCESSOIRES.</p> <hr/> <p><b>⚠ DANGER</b> RISQUE D'INCENDIE - INTERDICTION DE FUMER, FLAMME NUE OU SOURCES D'INFLAMMATION PROHIBÉES</p> <p>Conservier TOUTE source d'inflammation en dehors de la pièce dans laquelle le dispositif est installé et à distance des zones d'administration de l'oxygène. Les textiles, huiles et autres combustibles s'enflamment facilement et brûlent rapidement au contact d'air enrichi en oxygène.</p> <p><b>⚠ DANGER</b> RISQUE DE CHOC ÉLECTRIQUE  NE PAS retirer le couvercle. Confier la maintenance à du personnel d'entretien qualifié.</p> <p style="text-align: right;">Compatible HomeFill® II</p> </div> <div style="border: 1px solid black; border-radius: 15px; padding: 10px;"> <p style="text-align: center;"><b>Perfecto<sub>2</sub>™ V</b></p> <p>CONSULTER LE MANUEL D'UTILISATION OU CONTACTER LE FOURNISSEUR D'EQUIPEMENTS DE SOINS À DOMICILE POUR OBTENIR DES INSTRUCTIONS D'UTILISATION SÛRES, DES INFORMATIONS SUR LES ALARMES, LES ALERTES SONORES ET L'EMPLOI DES ACCESSOIRES.</p> <hr/> <p><b>⚠ DANGER</b> RISQUE D'INCENDIE - INTERDICTION DE FUMER, FLAMME NUE OU SOURCES D'INFLAMMATION PROHIBÉES</p> <p>Conservier TOUTE source d'inflammation en dehors de la pièce dans laquelle le dispositif est installé et à distance des zones d'administration de l'oxygène. Les textiles, huiles et autres combustibles s'enflamment facilement et brûlent rapidement au contact d'air enrichi en oxygène.</p> <p><b>⚠ DANGER</b> RISQUE DE CHOC ÉLECTRIQUE  NE PAS retirer le couvercle. Confier la maintenance à du personnel d'entretien qualifié.</p> <p style="text-align: right;">Compatible HomeFill® II</p> </div>

## 2.2 Consignes générales

Pour garantir la sécurité de l'installation, du montage et du fonctionnement du concentrateur, vous DEVEZ respecter ces consignes.



### **DANGER !**

#### **Risque de dommage matériel ou de blessure grave, voire mortelle**

Une utilisation inadéquate de ce produit présente un risque de blessures, de décès ou de dégâts matériels. Cette section contient des informations importantes pour une utilisation et un fonctionnement en toute sécurité du produit.

- N'utilisez PAS ce produit ou tout autre équipement disponible en option sans avoir lu et compris entièrement ces instructions et toute autre documentation supplémentaire, telle que les manuels d'utilisation, les manuels d'entretien ou fiches d'instructions fournis avec ce produit ou l'équipement en option.
- Si vous ne comprenez pas les avertissements, mises en garde ou instructions, contactez un professionnel de santé, revendeur ou technicien avant d'essayer d'utiliser cet équipement.
- Vérifiez l'absence de dommages dans le carton et sur TOUS les composants. En cas de dommage ou si le produit ne fonctionne pas correctement, contactez un technicien ou Invacare pour réparation.
- LES INFORMATIONS CONTENUES DANS LE PRÉSENT DOCUMENT SONT SUJETTES À MODIFICATION SANS PRÉAVIS.



### **DANGER !**

#### **Risque de décès , de blessures ou dommages dus aux incendies**

Risque de décès, de blessures ou de dommages liés à un incendie Les textiles, huiles ou substances à base de pétrole, graisse, substances graisseuses et autres combustibles s'enflamment facilement et brûlent rapidement dans un air enrichi en oxygène et au contact avec de l'oxygène sous pression. Pour éviter tout incendie, dommage, blessure ou décès:

- NE PAS FUMER lors de l'utilisation de cet appareil.
- NE PAS utiliser à proximité d'une FLAMME NUE ou SOURCES D'INFLAMMATION.
- NE PAS utiliser de lubrifiants sur le concentrateur sauf spécification contraire de Invacare.
- Des panneaux INTERDICTION DE FUMER doivent être affichés de façon visible.
- Évitez de produire des étincelles à proximité d'un équipement d'oxygène. Cela inclut les étincelles d'électricité statique créées par friction.
- Conserver les allumettes, cigarettes incandescentes ou toute autre source inflammable en dehors de la pièce dans laquelle le concentrateur est installé et à distance de la source d'administration de l'oxygène.
- Éloignez les tubes à oxygène, le cordon et l'appareil de sous les couvertures, les dessus de lit, les coussins, les vêtements et écartés des surfaces chauffées ou chaudes, comprenant les radiateurs, les fours et appareils électriques similaires.



### **ATTENTION !**

La loi fédérale (statutaire) n'autorise la vente de cet appareil que sur ordonnance ou par un praticien agréé par la loi de l'État dans lequel il ou elle travaille.

- SEUL un professionnel de santé habilité peut autoriser l'achat ou l'utilisation de ce dispositif.



### **DANGER !**

#### **Risque de blessure, décès par décharge électrique**

Pour réduire les risques de brûlures, d'électrocution, de décès ou de blessures :

- NE démontez PAS l'appareil. Confier la maintenance à du personnel d'entretien qualifié. Les composants internes ne peuvent pas être réparés par l'utilisateur.
- Ne jamais utiliser l'appareil en prenant un bain. Si la prescription médicale requiert une utilisation continue, le concentrateur doit être placé dans une autre pièce éloignée d'au moins 2,5 m (7 pi) de la salle de bains.
- NE touchez PAS le concentrateur si vous êtes mouillé(e).
- Veillez à NE PAS positionner ni stocker le concentrateur dans un endroit où il pourrait tomber dans l'eau ou dans d'autres liquides.
- NE PAS ramasser un concentrateur qui est tombé dans l'eau. Débranchez-le IMMÉDIATEMENT.
- NE PAS utiliser les cordons d'adaptateur CA effilochés ou endommagés.



### **AVERTISSEMENT !**

#### **Risque de blessures ou de dommages matériels**

– Les produits Invacare sont spécialement conçus et fabriqués pour être utilisés en combinaison avec les accessoires Invacare. Les accessoires conçus par d'autres fabricants n'ont pas été testés par Invacare et leur utilisation avec les produits Invacare est déconseillée.

– Différents d'humidificateurs, de tubes à oxygène, décanales et démasques peuvent être utilisés avec ce dispositif. Pour déterminer le modèle le plus adapté à chacun, contacter un professionnel de santé spécialisé dans les soins à domicile. Il peut également apporter ses conseils pour l'utilisation, l'entretien et le nettoyage du dispositif.



### **DANGER !**

#### **Risque de blessure ou de décès**

Pour éviter les risques d'étouffement ou d'ingestion de produits chimiques provenant d'une contamination de l'air :

- NE PAS utiliser le concentrateur en présence de polluants, fumées, anesthésiques inflammables, agents de nettoyage ou vapeurs chimiques.

**AVERTISSEMENT !****Risque de blessure ou de décès**

Pour éviter tout risque de blessure ou de décès résultant d'une mauvaise utilisation du produit :

- Une étroite surveillance est nécessaire lors de l'utilisation de ce concentrateur par ou à proximité d'enfants ou de personnes à mobilité réduite.
- Les patients utilisant cet appareil doivent être plus particulièrement surveillés s'ils sont incapables d'entendre ou de voir les alarmes ou de communiquer leur inconfort.

**AVERTISSEMENT !****Risque de blessure grave voire mortelle**

Pour éviter tout risque d'étouffement et/ou de strangulation en cas d'enchevêtrement des tubes:

- Tenez les enfants et les animaux domestiques hors de portée de la canule nasale et des tubes.
- Une surveillance étroite s'impose lorsque la canule nasale est utilisée par ou à proximité d'enfants et/ou de personnes handicapées.

**AVERTISSEMENT !****Risque de blessure ou de décès**

Pour réduire les risques de blessures ou de décès liés à une maladie :

- Changez régulièrement la canule nasale. Consultez votre fournisseur de matériel ou médecin pour déterminer combien de fois la canule doit être changée.
- NE partagez PAS les canules entre les patients.

**AVERTISSEMENT !****Risque de blessure**

Un changement d'altitude peut affecter l'oxygène total étant disponible pour vous. Pour éviter la privation d'oxygène :

- Consultez votre médecin avant le déplacement à des altitudes plus basse ou plus élevées ou pour déterminer si vos paramètres de débit doivent être modifiés.

**AVERTISSEMENT !****Risque de blessures ou de dommages matériels**

Pour éviter tout risque de blessure ou de dommage résultant d'une mauvaise utilisation du cordon :

- NE PAS déplacer ni repositionner le concentrateur en tirant sur le cordon.
- NE PAS utiliser des rallonges avec les adaptateurs CA fournis.
- Placez et entreposez correctement les cordons électrique/tube pour éviter un risque de chute.

**AVERTISSEMENT !****Risque de blessures ou de dommages matériels**

Pour éviter tout risque de blessure ou de dommage résultant d'une mauvaise utilisation :

- Le concentrateur ne doit JAMAIS rester sans surveillance lorsqu'il est branché.
- Assurez-vous que le concentrateur est éteint lorsque vous ne l'utilisez pas.
- L'utilisation du concentrateur en extérieur DOIT se faire uniquement avec une alimentation batterie interne ou supplémentaire.



### **AVERTISSEMENT !**

#### **Risque de blessures ou de dommages matériels**

Les concentrateurs d'oxygène Invacare sont spécialement conçus pour réduire au minimum la maintenance préventive. Pour éviter tout risque de blessure ou de dommage matériel :

- Seuls les professionnels du secteur de la santé ou les personnes qui maîtrisent parfaitement le processus, telles que le personnel formé à l'usine ou le personnel agréé, sont habilités à effectuer la maintenance préventive ou des réglages de performance sur le concentrateur d'oxygène, à l'exception des tâches décrites dans ce manuel.
- Les utilisateurs doivent contacter le revendeur ou le représentant Invacare pour toute réparation.



### **ATTENTION !**

#### **Risque de dommage matériel**

Pour éviter tout risque de dommage lié à l'infiltration de liquide :

- Si le concentrateur ne fonctionne pas correctement, s'il est tombé, endommagé ou s'il est tombé dans l'eau, demandez au fournisseur d'équipements/à un technicien qualifié de l'inspecter et de le réparer.
- Veillez à ne JAMAIS laisser tomber ou introduire un objet ou des liquides dans les ouvertures.
- Invacare recommande de ne pas utiliser le concentrateur sous la pluie.

## **2.3 Interférences radio-électriques**



### **AVERTISSEMENT !**

#### **Risque de blessure ou de dommage matériel**

Pour réduire le risque de blessure ou dommage matériel lié à des interférences avec des équipements sans fil :

- Éloignez le concentrateur à une distance minimale de 3 m (9,8 pieds) des équipements de communication sans fil tels que appareils de réseau domestique sans fil, téléphones portables, téléphones sans fil et stations de recharge, talkie-walkies, etc.

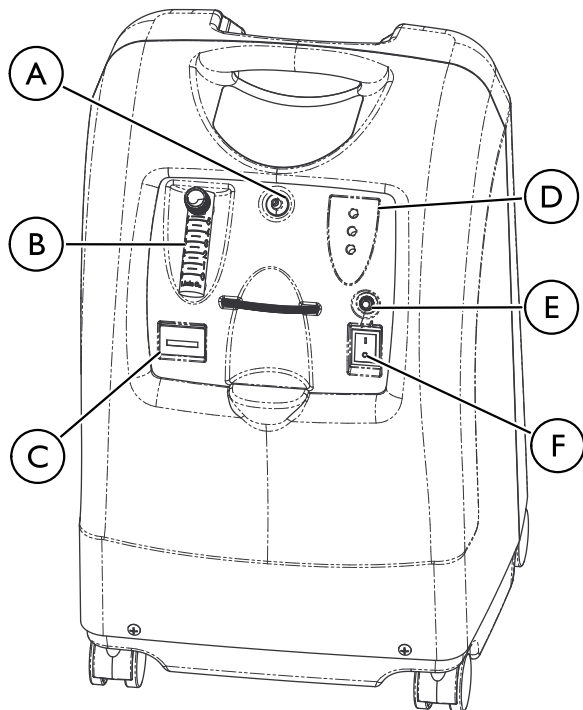
L'équipement a été testé et est certifié conforme aux limites CEM spécifiées dans la norme IEC/EN 60601-1-2. Ces limites sont conçues pour assurer une protection raisonnable contre les interférences électromagnétiques dans une configuration médicale type.

D'autres appareils peuvent recevoir des interférences même provenant des plus bas niveaux d'émissions électromagnétiques autorisées par les normes ci-dessus. Pour déterminer si les émissions du concentrateur sont à l'origine d'une interférence, mettez le hors tension. Si l'interférence avec le ou les autres dispositifs s'arrête, cela signifie que le concentrateur provoque l'interférence. Dans ces cas rares, l'interférence peut être réduite ou corrigée de l'une des façons suivantes :

- Repositionnez le dispositif, changez-le de place ou augmentez la distance de séparation entre les dispositifs.
- Branchez l'appareil dans une prise différente de celle sur laquelle le ou les autres appareils sont branchés.

## 3 Composants et fonction

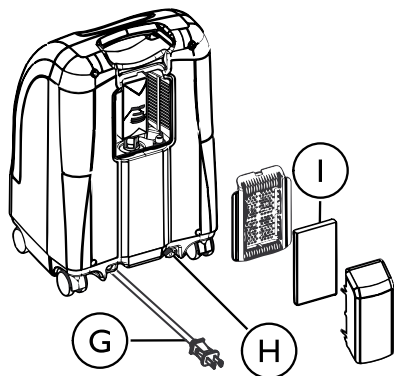
### 3.1 Identification des composants



(A)	Sortie oxygène
(B)	Débitmètre
(C)	Compteur horaire
(D)	Voyants indicateurs de la pureté de l'oxygène / Voyant indicateur de défauts et de mise sous tension
(E)	Disjoncteur
(F)	Interrupteur



## Vue arrière



Ⓒ	Cordon
Ⓗ	Raccord de sortie HomeFill
Ⓘ	Filtres

**i** Le raccord de sortie HomeFill **Ⓗ** ne doit être utilisé que pour remplir les bouteilles à oxygène avec le compresseur d'oxygène à usage domestique HomeFill. Le raccord de sortie n'a aucune incidence sur les performances du concentrateur. Pour obtenir les instructions de raccordement et d'utilisation, se reporter au manuel d'utilisation HomeFill. Lorsqu'elle n'est pas utilisée, la fiche fournie avec le concentrateur doit être insérée dans le raccord de sortie. Pour en savoir plus sur HomeFill, contacter un distributeur Invacare.

---

## 4 Accessoires

---

### 4.1 Accessoires en option

Différents d'humidificateurs, de tubes à oxygène, décanales et démasques peuvent être utilisés avec ce dispositif. Pour déterminer le modèle le plus adapté à chacun, contacter un professionnel de santé spécialisé dans les soins à domicile. Il peut également apporter ses conseils pour l'utilisation, l'entretien et le nettoyage du dispositif.

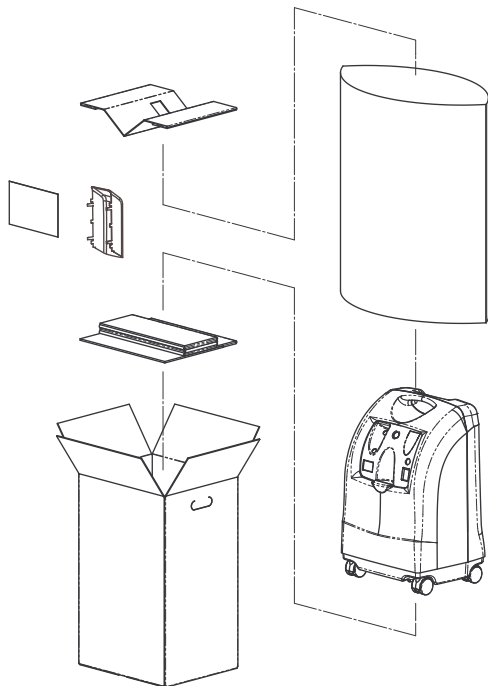
Les accessoires (canule nasale, masque, tubes, humidificateur, etc.) servant à administrer l'oxygène au patient doivent inclure un système pour limiter tout risque de propagation du feu pour la sécurité du patient et d'autrui. Si un dispositif d'arrêt du débit activé en cas d'incendie, vendu séparément, figure dans la configuration des accessoires, il doit être placé aussi près que possible du patient.

Les accessoires en option et les pièces de rechange suivants (comme indiqué ci-dessous) sont également disponibles:


- Canule nasale adulte standard, 2,1 m (7 pi) - M3120
- Humidificateur standard (référence Invacare I155719)
- Humidificateur/débitmètre pédiatrique PreciseRX™ (IRCPF16AW)
- Compresseur d'oxygène à domicile HomeFill (IOH200AW)
- Support de flacon d'humidificateur (M1521)
- Tube d'alimentation en oxygène 2,1 m (7 pi) (MS4107)
- Tube d'alimentation en oxygène 6,3 m (21 pi) (MS4121)
- Connecteur de tube d'oxygène (MS4301)

## 5 Réglages (Mise en service)

### 5.1 Déballage



1. Vérifiez pour tout dommage évident du carton ou de son contenu. Si les dommages sont évidents, aviser le transporteur , ou votre revendeur local.
2. Retirer toutes les garnitures des cartons.
3. Retirer soigneusement tous les éléments du carton.

 Sauf en cas d'utilisation IMMÉDIATE requise, le concentrateur d'oxygène doit rester dans son emballage.

### 5.2 Contrôle

1. Inspecter/examiner l'extérieur du concentrateur pour déceler d'éventuelles bosses, fissures, rayures ou autres dommages.
2. Contrôler tous les éléments.

### 5.3 Rangement

1. Ranger le concentrateur d'oxygène remballé dans un endroit sec. Pour en savoir plus sur la température de stockage, consulter les paramètres types du produit.
2. **NE PAS** placer d'autres objets au-dessus du concentrateur d'oxygène remis dans son emballage.

## 6 Utilisation

### 6.1 Introduction

Le concentrateur d'oxygène est destiné à une utilisation individuelle à l'intérieur. C'est un appareil qui sépare de façon électronique l'oxygène de l'air de la pièce. Il délivre une forte concentration d'oxygène par une canule nasale. Des études cliniques ont montré que les concentrateurs d'oxygène sont équivalents en matière de thérapie à d'autres types de système de délivrance d'oxygène.

Le prestataire démontrera comment utiliser le concentrateur d'oxygène. Il doit être consulté pour toutes questions ou problèmes posés par le concentrateur d'oxygène. Ce manuel d'utilisation explique le fonctionnement du concentrateur d'oxygène et servira de référence lors de l'utilisation de ce matériel.

### 6.2 Choisir Un Endroit



#### **AVERTISSEMENT !**

##### **Risque de blessures ou de dommages matériels**

Pour éviter les blessures ou les dommages matériels provenant des polluants atmosphériques et/ou des fumées et maintenir les performances optimales :

- Placez et positionnez le concentrateur d'oxygène portable dans un endroit bien aéré de sorte que l'entrée et les sorties d'air ne soient pas obstruées.
- Veillez à ne JAMAIS bloquer les bouches d'air du concentrateur ni à le placer sur une surface moelleuse comme un lit ou un canapé au risque d'obstruer les bouches d'air.
- Veillez à ne pas obstruer les bouches d'air avec du tissu, des cheveux, etc.
- Éloigner le concentrateur des murs, rideaux ou meubles à une distance minimale de 30,5 cm (12 po).
- Évitez l'utilisation de polluants, fumées, anesthésiques inflammables, agents de nettoyage ou vapeurs chimiques.
- Placez le concentrateur dans une zone bien aérée pour éviter les polluants atmosphériques et/ou les fumées.
- NE l'utilisez PAS dans un placard.



#### **AVERTISSEMENT !**

##### **Risque de blessure**

Pour éviter toute blessure pendant le traitement:

- Le concentrateur d'oxygène DOIT être placé sur une surface plane lors de son utilisation.
- NE déplacez PAS le concentrateur d'oxygène pendant son utilisation.

Choisir une pièce dans la maison où l'utilisation du concentrateur d'oxygène sera la plus pratique. Le concentrateur doit pouvoir être facilement déplacé de pièce en pièce sur ses roulettes.

Le concentrateur d'oxygène fonctionne de façon optimale dans les conditions présentées dans le tableau ci-dessous.

Une utilisation dans un environnement autre que celui décrit pourrait nécessiter une maintenance supplémentaire. L'admission d'air de l'appareil doit être située dans un endroit bien ventilé pour éviter les polluants atmosphériques et / ou les fumées.

### 6.3 Configuration du concentrateur

1. Brancher le cordon dans une prise électrique.
2. Raccorder l'humidificateur (Si cela a été recommandé).

#### 6.3.1 Configuration de l'humidificateur



##### **AVERTISSEMENT !**

##### **Risque de blessures ou de dommages matériels**

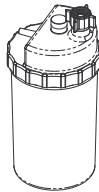
Pour éviter toute brûlure par vapeur ou eau chaude, toute inhalation d'eau et/ou tout dommage au concentrateur causé par l'eau:

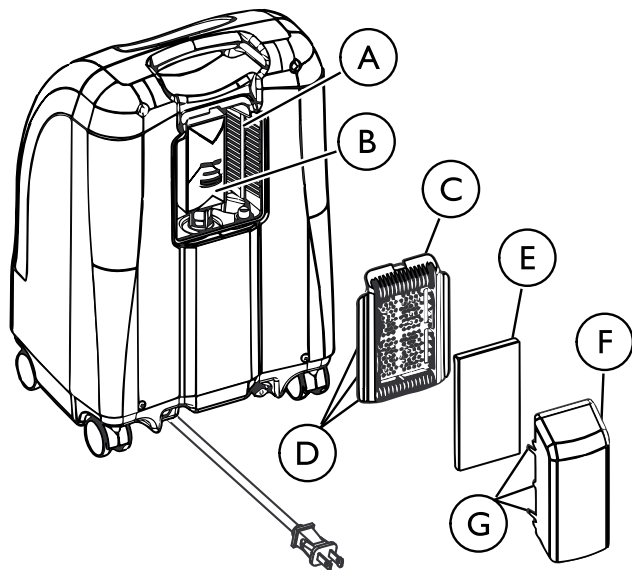
- NE PAS remplir le flacon de l'humidificateur avec de l'eau chaude. Laisser l'eau portée à ébullition refroidir à température ambiante avant de procéder au remplissage.
- NE PAS TROP remplir l'humidificateur.
- Remettre en place le bouchon de l'humidificateur et le serrer fermement. Vérifier que le filetage du bouchon n'est pas faussé sur le flacon de l'humidificateur.
- NE PAS inverser les raccords d'entrée et de sortie d'oxygène. Dans le cas contraire, l'eau dans le flacon de l'humidificateur retourne vers le patient par le biais de la canule.
- En cas d'utilisation de raccords de tube de plus de 2,1 m (7 pi) de long, positionner l'humidificateur aussi près que possible du patient pour assurer une puissance d'humidification maximale.

**AVERTISSEMENT !****Risque de blessures ou de dommages matériels**

L'installation incorrecte du flacon de l'humidificateur ou de tout autre accessoire sur le concentrateur influe sur le débit d'oxygène.

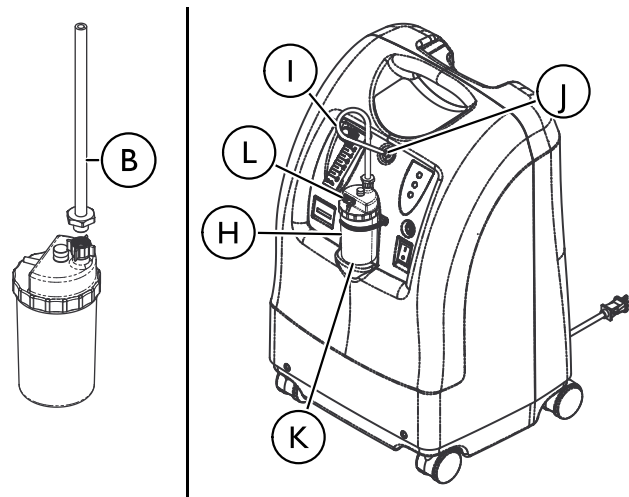
- Pour vérifier le fonctionnement correct du concentrateur d'oxygène et des accessoires, immerger l'extrémité de la canule nasale dans une tasse à moitié remplie d'eau et repérer la présence de bulles.
- En l'absence de bulles, vérifier toutes les raccords (y compris le flacon de l'humidificateur et les autres accessoires, le cas échéant) et répéter l'opération. Si aucune bulle ne se forme, contacter immédiatement le revendeur ou le prestataire de services.

**Humidificateur Bouteille avec Cap****Humidificateur bouteille sans Cap**



1. Retirer le chapeau du flacon.
2. Remplir le flacon de l'humidificateur avec de l'eau du robinet portée à ébullition ou de l'eau en bouteille, jusqu'au niveau indiqué par le fabricant. Faire bouillir l'eau du robinet pendant 10 minutes environ et la laisser refroidir à température ambiante avant de l'utiliser.
3. Insérer un tournevis à tête plate dans la rainure de la plaque sur le bord supérieur de la trappe d'accès au filtre © et la soulever doucement.
4. Lever et retirer l'adaptateur du flacon de l'humidificateur ⑥.

5. Remettre en place la trappe d'accès au filtre et y installer la prise d'air ⑥ en insérant les six languettes ⑦ de la prise d'entrée d'air dans les six languettes ⑧ sur les côtés de la trappe d'accès au filtre.



6. Le fixer à l'humidificateur en tournant l'écrou papillon sur le flacon de l'humidificateur ⑥ dans le sens contraire des aiguilles d'une montre jusqu'à ce qu'il soit bien fixé.

7. Choisir l'emplacement de l'ensemble flacon/adaptateur de l'humidificateur:

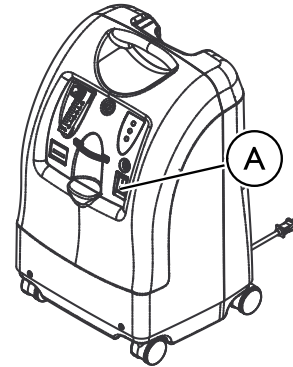
- Lors de la mise en place du flacon de l'humidificateur dans le compartiment du concentrateur, fixer le tube flacon/adaptateur ① de l'humidificateur I au raccord de sortie d'oxygène ① situé sur le concentrateur.
- Pour positionner le flacon de l'humidificateur à côté du patient, placer l'ensemble flacon/adaptateur dans le support de flacon ② (M1521, se reporter à la « Accessoires en option ») et le poser sur une surface plane aussi près que possible du patient. Fixer le connecteur de tube d'oxygène (MS4301, se reporter à la « Accessoires en option ») à l'extrémité du tube de flacon/adaptateur de l'humidificateur. Brancher une extrémité du tube d'alimentation en oxygène (MS4107 ou MS4121, se reporter à la « Accessoires en option ») à l'extrémité libre du connecteur de tube d'oxygène et l'autre extrémité au connecteur de sortie d'oxygène du concentrateur.



En cas d'utilisation de raccords de tube de plus de 2,1 m (7 pi), positionner l'humidificateur aussi près que possible du patient pour assurer une puissance d'humidification maximale.

8. Fixer le tube d'alimentation de la canule nasale du patient à la sortie du flacon d'humidificateur ③.
9. Après montage, s'assurer que l'oxygène passe bien par la canule.

### 6.3.2 Mise en marche du concentrateur



1. Mettre le commutateur ④ en position Marche.



### 6.3.3 Débit

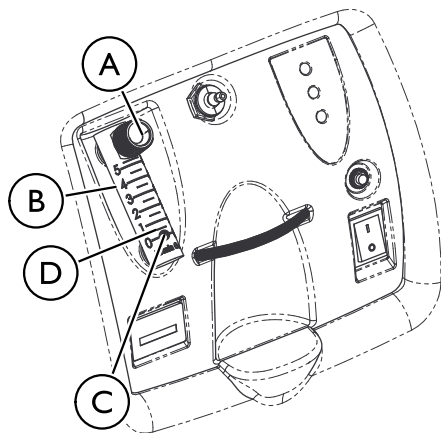


#### AVERTISSEMENT !

#### Risque de blessure

Pour éviter toute blessure résultant d'un excès ou d'un déficit d'oxygène:

- NE PAS modifier le réglage L/mn du débitmètre tant qu'un changement n'a pas été demandé par le médecin.



Ne pas régler le débit au-dessus de l'anneau ROUGE. Un débit d'oxygène supérieur à 5 l/min réduit la concentration en oxygène.

1. Tourner le bouton de débit (A) sur le réglage recommandé par le médecin.



Pour bien lire le débitmètre (B), repérer le trait de débit recommandée. Tourner ensuite le bouton de débit de façon à voir la bille (C) monter jusqu'au trait. Maintenant, centrer la bille sur le trait L/mn recommandé.

2. Si jamais le débit du débitmètre passe en-dessous de 0,5 l/min pendant plus d'une minute, l'alerte d'obstruction potentielle est déclenchée. L'alarme sonore émet des signaux rapides. Contrôler le tube ou les accessoires pour repérer tout blocage ou pincement du tube ou un défaut de l'humidificateur. Une fois le débit nominal restauré entre 0,5 l/min et 0,75 l/min, l'alerte d'obstruction potentielle s'arrête.



L'utilisation de certains accessoires comme le débitmètre pédiatrique PreciseRx™ et le compresseur HomeFill désactive l'alerte d'obstruction potentielle.

### 6.3.4 Indicateur de pureté de l'oxygène SensO<sub>2</sub>

Ce dispositif contrôle la pureté de l'oxygène généré par le concentrateur d'oxygène. Si la pureté tombe au-dessous des normes pré-réglées à l'usine, les voyants du tableau de contrôle s'allument.

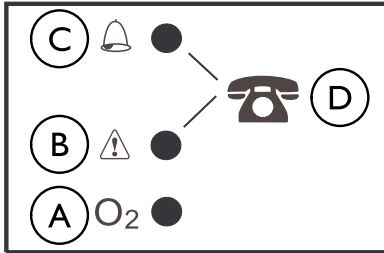
### 6.3.5 Mise en marche initiale du concentrateur







Le concentrateur peut être utilisé pendant la durée de chauffe du démarrage initial (environ 30 mn) en attendant que le voyant de pureté O<sub>2</sub> vert s'allume.

Lorsque l'appareil est mis en marche, le voyant VERT s'allume (Système correct/O<sub>2</sub> supérieur à 85 %). Après 5 minutes, le capteur d'oxygène fonctionne normalement et commande les voyants lumineux en fonction de la concentration d'oxygène définie.

### 6.3.6 Explication des voyants de pureté de l'oxygène



	Lumière	Symbole	Explication
(A)	Voyant VERT	(O <sub>2</sub> )	Fonctionnement normal
(B)	Témoin JAUNE		Appeler immédiatement le fournisseur. Sauf indication contraire de sa part, il est possible de continuer à utiliser le concentrateur. S'assurer de la présence d'une réserve d'oxygène à portée de main.
(C)	Voyant ROUGE		Arrêt total de l'appareil. Passer immédiatement à la réserve d'oxygène et appeler le fournisseur.
(A)(B)	Témoins VERT et JAUNE clignotants	(O <sub>2</sub> ) et 	Appeler immédiatement le fournisseur. Le capteur d'oxygène ne fonctionne pas correctement. Il est possible de continuer de continuer à l'utiliser.
(D)	—		Appeler le prestataire

### 6.3.7 Compteur horaire (Compteur D'heures)

Le compteur horaire indique la période de fonctionnement de l'appareil en heures.

## 7 Maintenance

### 7.1 Nettoyage du Coffret



#### **DANGER !**

#### **Risque de blessures ou de dommages matériels**

Les concentrateurs d'oxygène Invacare sont spécialement conçus pour limiter les opérations d'entretien préventif. Pour éviter tout risque de blessure ou de dommage matériel:

- Seul du personnel qualifié est autorisé à effectuer l'entretien préventif du concentrateur d'oxygène.
- NE PAS retirer le caisson.



#### **DANGER !**

#### **Risque de blessures ou de dommages matériels**

Les produits liquides endommagent les composants internes du concentrateur. Pour éviter tout dommage ou blessure en lien avec un choc électrique :

- Mettez le concentrateur hors tension et débranchez le cordon d'alimentation avant de procéder au nettoyage.
- NE PAS laisser un quelconque agent de nettoyage couler dans les orifices d'entrée et de sortie.
- NE pulvérisez ou n'appliquez aucun produit de nettoyage directement sur le coffret.
- NE PAS asperger le produit.



#### **ATTENTION !**

#### **Risque de dommage matériel**

Les agents chimiques agressifs peuvent endommager le concentrateur. Pour éviter les dommages matériels :

- NE nettoyez PAS le boîtier, la sacoche ou le filtre avec de l'alcool ou des produits à base d'alcool (alcool isopropylique), des produits à base de chlore concentré (déchlorure d'éthylène), des produits à base d'huile (Pine-Sol®, Lestoil®) ou tout autre agent chimique agressif. Utilisez uniquement un liquide vaisselle doux (tel que Dawn™).



La maintenance préventive DOIT au moins être effectuée conformément aux instructions du carnet de maintenance. Une maintenance plus fréquente peut s'avérer nécessaire sur les sites très poussiéreux ou impliquant des niveaux de suies élevés. Se reporter à la liste de vérification pour l'entretien.

Nettoyer périodiquement le caisson du concentrateur comme suit:

1. Utiliser un tissu humide ou une éponge avec un détergent doux, tel que du liquide vaisselle Dawn™, pour nettoyer délicatement le caisson extérieur.
2. Laisser le concentrateur sécher à l'air ou l'essuyer avec une serviette sèche avant de l'utiliser.

## 7.2 Nettoyage des filtres



### ATTENTION !

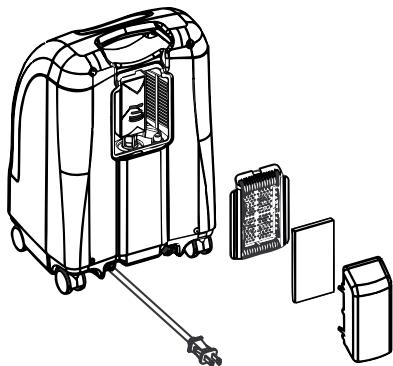
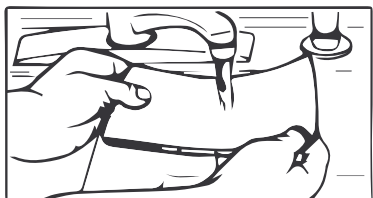
#### Risque de dommage matériel


Pour éviter les dommages causés par un colmatage :

- NE faites PAS fonctionner le concentrateur si le filtre d'entrée d'air n'est pas installé.



Il y a un seul filtre de caisson situé au dos du caisson.




1. Enlevez le filtre  et nettoyez le si nécessaire.




Certaines conditions ambiantes nécessitent un nettoyage plus fréquent des filtres, notamment : les environnements chargés en poussière, fumée, polluants atmosphériques etc.

2. Nettoyez le filtre de l'armoire avec un aspirateur ou laver avec un détergent doux liquide vaisselle (comme Dawn™ ) et de l'eau . Rincer soigneusement .
3. Sécher soigneusement le filtre et vérifier qu'il n'est pas effiloché, désagrégé, déchiré ou troué. Changer le filtre s'il est endommagé.
4. Réinstaller le filtre du caisson.

### 7.3 Nettoyage et désinfection thermique de l'humidificateur

 Nettoyer et désinfecter l'humidificateur d'oxygène quotidiennement pour réduire les dépôts calcaires et limiter le risque de contamination bactérienne. Suivre les instructions fournies par le fabricant. En l'absence d'instruction, suivre les étapes suivantes:

1. Nettoyer l'humidificateur à l'eau savonneuse et le rincer avec une solution composée de dix volumes d'eau pour un volume de vinaigre.
2. Rincer soigneusement le dispositif à l'eau chaude.
3. Le laisser sécher complètement à l'air libre.

 Après le nettoyage et s'il n'est pas utilisé, le laisser sécher complètement à l'air libre pour limiter la prolifération bactérienne. Consulter la section Configuration d'utilisation.

### 7.4 Nettoyage et désinfection entre les patients




#### **AVERTISSEMENT !**

#### **Risque de blessures ou de dommages matériels**

Pour éviter tout risque d'infection ou de dégât occasionné au concentrateur:

- Seul un personnel qualifié est autorisé à procéder au nettoyage et à la désinfection du concentrateur d'oxygène et des accessoires entre les patients.

 Suivre les présentes consignes pour éliminer tout échange éventuel de pathogènes entre des patients en raison de la contamination de composants ou accessoires. Procéder également à l'entretien préventif à ce moment-là, si nécessaire.

1. Jeter et remplacer tous les accessoires ne pouvant être utilisés par plusieurs patients, notamment les suivants:
  - Canule nasale et tube
  - Masque
  - Humidificateur
2. Suivre les procédures d'entretien décrites dans le présent manuel et les points de la liste de vérification pour l'entretien préventif.
3. Vérifier que le concentrateur ne présente aucun dommage externe, ni signe indiquant la nécessité d'un entretien ou d'une réparation.
4. S'assurer que le concentrateur et toutes les alarmes fonctionnent correctement.
5. Avant de remballer le dispositif et de le distribuer à un nouveau patient, s'assurer que l'emballage contient bien le concentrateur, le cordon d'alimentation, la prise d'air, la notice de montage, l'humidificateur, la canule, les étiquettes et le manuel d'utilisation.

## 7.5 Liste de vérification pour l'entretien préventif

N. Modèle:

N. De Série:

<b>À CHAQUE CONTRÔLE</b>							
Enregistrer la date d'entretien							
Enregistrer les heures écoulées sur le compteur horaire							
Nettoyer le ou les filtres du caisson							
Vérifier le débit prescrit en l/mn							
<b>DANS LE CADRE DU PROGRAMME DE MAINTENANCE PRÉVENTIVE OU ENTRE PATIENTS</b>							
<b>UNITÉS SANS SensO<sub>2</sub> — TOUS LES 26 280 HEURES</b>							
Vérifier la concentration d'oxygène *							
Nettoyer/remplacer le ou les filtre							
Contrôler/remplacer le filtre HEPA en sortie*							
Contrôler/remplacer le filtre d'entrée du compresseur*							
Contrôler l'alarme de perte d'alimentation							



26 820 heures équivalent à l'utilisation 24 heures par jour, 7 jours par semaine pendant 3 ans.

\*À effectuer uniquement par un fournisseur ou technicien d'entretien qualifié. Se reporter au manuel d'entretien.

## 8 Après l'utilisation

### 8.1 Informations relatives au recyclage

Ce produit a été fourni par un fabricant conscient des enjeux environnementaux et qui respecte les normes de la Directive 2012/19/UE sur les déchets d'équipements électriques et électroniques (DEEE). Ce produit peut contenir des substances nuisibles à l'environnement s'il est jeté dans un endroit (décharge) non conforme à la législation en vigueur.

Suivre les réglementations locales et les plans de recyclage régissant la mise au rebut du concentrateur ou des composants habituellement utilisés pour son fonctionnement. Le concentrateur ne génère pas de déchets ou de résidus en fonctionnement.

- NE PAS jeter le concentrateur dans le circuit classique des déchets.
- Tout accessoire ne faisant pas partie du concentrateur DOIT être traité conformément aux indications de mise au rebut spécifiées.
- NE PAS jeter la batterie interne et les blocs de recharge. Le bloc batterie doit être retourné au revendeur/fournisseur.

Invacare® s'efforce en permanence de réduire au minimum son impact sur l'environnement, à l'échelle locale et mondiale. Nous respectons la législation en vigueur en matière d'environnement (notamment, les directives DEEE et RoHS). Nous n'utilisons que des matériaux et composants conformes au règlement REACH.

### 8.2 Usure normale

Invacare se réserve le droit de demander le retour de tout article présentant un défaut de fabrication allégué. Voir la garantie livrée avec le produit pour toute information spécifique sur la garantie.

Se reporter au manuel d'utilisation pour un calendrier adapté d'entretien préventif et pour l'utilisation du produit.

Il fournit des recommandation générales et ne concerne pas des produits endommagés en raison d'une utilisation abusive ou impropre.

Les éléments et composants de ce produit touchés par l'usure normale sont énumérés ci-dessous.

- Tous types de filtres
- Tous types de tubes
- Tous types de batteries, y compris les batteries au plomb-acide/lithium, les piles bouton (type montre) et les batteries gel (six mois)



Le tamis est un matériau filtrant poreux et il est considéré comme une pièce d'usure. Parmi les facteurs pouvant altérer le matériau du tamis figurent l'humidité, la température, les particules, les aérocontaminants, l'entrée d'air, la vibration et d'autres conditions environnementales.




## 9 Résolution de problèmes

### 9.1 Résolution de problèmes


SYMPTÔME	CAUSE PROBABLE	SOLUTION
<p><b>Alarme:</b></p> <p>Bips sonores, courts, longue</p> <p>Le concentrateur ne fonctionne pas, positionner l'interrupteur sur marche.</p> <p>Bip.....Bip.....</p>	<p><b>Perte d'alimentation principale:</b></p> <ol style="list-style-type: none"> <li>1. Le cordon n'est PAS branché.</li> <li>2. Pas de courant à la sortie.</li> <li>3. Disjoncteur déclenché.</li> </ol>	<ol style="list-style-type: none"> <li>1. Insérer la fiche dans la prise.</li> <li>2. Contrôler le disjoncteur ou les fusibles. Si le problème se produit de nouveau, utiliser une autre prise.</li> <li>3. Pousser/réinitialiser le disjoncteur. Si le problème persiste, appeler le prestataire de services.</li> </ol>
<p><b>Alarme:</b></p> <p>Continue</p> <p>Le concentrateur ne fonctionne pas. L'interrupteur est sur marche.</p> <p>Biiiiiiip.....</p>	<p><b>Défaillance du système:</b></p> <ol style="list-style-type: none"> <li>1. Surchauffe de l'appareil du fait du blocage de l'admission d'air.</li> <li>2. Puissance insuffisante à la sortie.</li> <li>3. Réparations internes requises.</li> </ol>	<ol style="list-style-type: none"> <li>1.             <ol style="list-style-type: none"> <li>a. Retirer les filtres et les nettoyer.</li> <li>b. Éloigner le concentrateur d'oxygène à au moins 30, 5 cm des murs, rideaux ou meubles.</li> </ol> </li> <li>2. NE PAS utiliser de rallonge. Passer à une autre circuit ou prise électrique.</li> <li>3. Appeler le service après-vente.</li> </ol>

SYMPTÔME	CAUSE PROBABLE	SOLUTION
<p><b>Alarme:</b></p> <p>Voyant JAUNE ou ROUGE allumé.</p> <p>Alarme : témoin Marche ROUGE fixe</p> <p>* Ne concerne que les IRC5PO2AW &amp; IRC5PO2VAW</p>	<p><b>Défaillance du système:</b></p> <ol style="list-style-type: none"> <li>1. Pureté d'oxygène faible.*</li> <li>2. Tube, canule ou humidificateur coudé ou bloqué.*</li> <li>3. Débitmètre réglé sur 0,5 L/mn ou moins.*</li> <li>4. Surchauffe de l'appareil du fait du blocage de l'admission d'air.</li> <li>5. Puissance insuffisante à la sortie.</li> <li>6. Réparations internes requises.</li> </ol>	<ol style="list-style-type: none"> <li>1. Nettoyer ou remplacer les filtres.</li> <li>2. Contrôler l'absence de coudes ou blocages. Rectifier, nettoyer ou remplacer l'article. Une fois la correction exécutée, mettre hors tension pendant 60 secondes, puis de nouveau sous tension.</li> <li>3. Vérifier que le débitmètre est réglé sur 1,0 l/min ou plus. Se reporter aux paramètres types du produit.</li> <li>4. <ol style="list-style-type: none"> <li>a. Retirer les filtres et les nettoyer.</li> <li>b. Éloigner le concentrateur à au moins 12 in (30,5 cm) des murs, rideaux ou meubles.</li> </ol> </li> <li>5. NE PAS utiliser de rallonge. Passer à un autre circuit ou prise électrique.</li> <li>6. Appeler le service après-vente.</li> </ol>
Témoins VERT et JAUNE clignotants	1. Réparations internes requises.	1. Appeler le service après-vente.

SYMPTÔME	CAUSE PROBABLE	SOLUTION
<p><b>Alarme:</b></p> <p>RAPIDE</p> <p>Bip... Bip...</p> <p>Bip... Bip...</p>	<p><b>Alerte d'obstruction potentielle:</b></p> <ol style="list-style-type: none"> <li>1. Possibilité d'obstruction interne du passage d'oxygène. Tube, canule ou humidificateur coudé ou bloqué.</li> <li>2. Débitmètre réglé sur 0,5 L/mn ou moins.</li> </ol>	<ol style="list-style-type: none"> <li>1. Contrôler l'absence de coudes ou blocages. Rectifier, nettoyer ou remplacer l'article. Une fois la correction exécutée, mettre hors tension pendant 60 secondes, puis mettre de nouveau sous tension.</li> <li>2. Régler de nouveau le débitmètre sur le débit prescrit. Les débits inférieurs à 1 L/mn ne sont pas recommandés.</li> </ol> <p> L'utilisation du débitmètre pédiatrique désactive l'alerte d'obstruction potentielle.</p>

## I0 Caractéristiques techniques

### 10.1 Paramètres Types Du Produit

Spécifications électriques:	230 VAC + 10, -15% (253 VAC/195.5 VAC), 50 Hz
Consommation de courant nominal:	1,5 A
Niveau sonore:	40 dBA max
Altitude:	Jusqu'à 1 828 mètres au-dessus du niveau de la mer sans dégradation des niveaux de concentration. UTILISATION NON RECOMMANDÉE AU-DELÀ DE 1 828 mètres Plage de pression atmosphérique: 101,33 kPa — 81,22 kPa
Sortie d'oxygène Niveaux de concentration:	87% à 95,6% de 0,5 à 5 l/mn 93% ± 3% à 2 l/mn  (Les niveaux de concentration indiqués ont été obtenus après une période de chauffe initiale d'environ 30 minutes).
Pression de sortie maximale:	34,5 kPa ± 3,45 kPa (5 psi ± 0,5 psi)
Alarme de débit faible:	0,5 à 5 l/min (maximum). Pour les débits de moins de 1 l/min , nous recommandons l'utilisation de l' Invacare Débitmètre pédiatrique accessoire (IRCPF16AW).
Alerte d'obstruction potentielle:	0 l/min to 0,5 l/min Le concentrateur détecte un état pouvant indiquer une obstruction potentielle de la sortie d'oxygène. Avertissement sonore par bip rapide (cette alerte est désactivée lors du branchement des accessoires). Peut être associé à un réglage du débit de 0,5 l/mn ou moins.
Consommation électrique:	Perfecto <sub>2</sub> AW - 300 W à 5 l/min, 280 W à 3 l/min Perfecto <sub>2</sub> VAW - 320 W à 5 l/min

Mécanisme de décompression fonctionnant à:	241 kPa ± 24,1 kPa (35 psi ± 3,5 psi)
Modification du débit maximal recommandé lorsqu'une contre-pression de 7 kPa est appliquée:	0,7 l/min
Filtres:	Appareil, sortie HEPA et entrée du compresseur.
Système de sécurité:	Arrêt en cas de surcharge de courant ou de surtension. Arrêt du compresseur en cas de température élevée. Alarme haute pression avec arrêt du compresseur. Alarme basse pression avec arrêt du compresseur. Alerte de perte d'alimentation auxiliaire. Alerte d'obstruction potentielle du système à oxygène SensO <sub>2</sub>
Largeur:	38,1 cm ± 1 cm (15 in ± 3/8 in)
Hauteur:	58,4 cm ± 1 cm (23 in ± 3/8 in)
Profondeur:	30,5 cm ± 1 cm (12 in ± 3/8 in)
Poids:	Perfecto <sub>2</sub> AW modèles - 20,5 kg ± 1 kg (45 lbs ± 2 lbs) Perfecto <sub>2</sub> VAW modèles - 18,1 kg ± 1 kg (40 lbs ± 2 lbs)
Poids d'expédition:	Perfecto <sub>2</sub> AW modèles- 22,7 kg ± 1 kg (50 lbs ± 2 lbs) Perfecto <sub>2</sub> VAW modèles- 20,4 kg ± 1 kg (45 lbs ± 2 lbs)
Conditions de fonctionnement ambiantes:	10 °C – 35 °C à une humidité relative de 20 à 60 %
Cabinet:	Coffret en plastique ininflammable anti-chocs compatible avec UL 94-V0
Aucune AP/APG	Ne pas utiliser en présence d'un mélange anesthésique inflammable

Liste des normes et réglementations:	IEC/EN60601-1, A1, A2 IEC/EN60601-1-2 IEC/EN61000-3-2 IEC/EN61000-3-3, ISO8359 MDD 93/42/EEC, Annex I et IX
Modèles CE:	IRC5PO2AW/IRC5PO2VAW
Électricité:	Pas de rallonge.
Positionnement:	À au moins 30,5 cm (12 in) des murs, mobiliers, rideaux ou surfaces similaires. Éviter de le placer sur une moquette épaisse, ou à proximité d'un chauffage, d'un radiateur ou d'une bouche d'air chaud. Sur le sol uniquement. Aucun espace confiné (par exemple : aucune armoire).
Lunette à oxygène:	Canule de 2,1 mètres indéformable de 15,2 m max. (NE PAS Pincer)
Durée de fonctionnement:	Jusqu'à 24 heures par jour
Température recommandée pour le stockage et l'expédition:	-29 °C à 65 °C, à une humidité relative de 15 à 95%.
Environnement:	sans fumée et sans suie Aucun espace confiné (par exemple : aucune armoire)
Temps de fonctionnement minimum:	30 Minutes

Notes

# Περιεχόμενα

Το παρόν εγχειρίδιο πρέπει να δίνεται στον τελικό χρήστη. ΠΡΙΝ από την χρήση του προϊόντος, διαβάστε αυτό το εγχειρίδιο και φυλάξτε το για μελλοντική αναφορά.

<b>1 ΓΕΝΙΚΕΣ</b>	<b>104</b>
1.1 Σύμβολα	104
1.2 Προτεινόμενη χρήση	106
1.3 Περιγραφή	107
1.4 Αντενδείξεις	107
<b>2 Ασφάλειας</b>	<b>108</b>
2.1 Θέσεις ετικετών	108
2.2 ΓΕΝΙΚΕΣ ΟΔΗΓΙΕΣ	109
2.3 Παρεμβολές ραδιοσυχνότητας	113
<b>3 Εξαρτήματα</b>	<b>115</b>
3.1 Προσδιορισμός εξαρτημάτων	115
<b>4 Βοηθητικά εξαρτήματα</b>	<b>117</b>
4.1 ΠΡΟΑΙΡΕΤΙΚΑ ΕΞΑΡΤΗΜΑΤΑ	117
<b>5 Διάταξη</b>	<b>118</b>
5.1 Αποσυσκευασία	118
5.2 Επιθεώρηση	118
5.3 Φυλαξη	118
<b>6 Χρήση</b>	<b>119</b>
6.1 Εισαγωγή	119
6.2 Επιλογή θέσης	119
6.3 Ρύθμιση του υγραντήρα	120
6.3.1 Ρύθμιση του υγραντήρα	120
6.3.2 Ενεργοποίηση του συμπυκνωτή	123
6.3.3 Ρυθμός ροής	124
6.3.4 Ένδειξη Καθαρότητας Οξυγόνου SensO <sub>2</sub>	124

6.3.5 Αρχική εκκίνηση του συμπυκνωτή	125
6.3.6 Επεξήγηση των Ενδεικτικών Λυχνιών Καθαρότητας Οξυγόνου	125
6.3.7 Μετρητής χρόνου που παρήλθε (Μετρητής ωρών)	126

## **7 ΣΥΝΤΗΡΗΣΗ** . . . . . **127**

7.1 Καθαρισμός του Περιβλήματος	127
7.2 Καθαρισμός του φίλτρου περιβλήματος	128
7.3 Καθαρισμός και θερμική απολύμανση υγραντήρα	129
7.4 Καθαρισμός και απολύμανση για χρήση από άλλον ασθενή	129
7.5 Λίστα ελέγχου προληπτικών εργασιών συντήρησης	130

## **8 μετά από χρήση** . . . . . **132**

8.1 Πληροφορίες σχετικά με την ανακύκλωση	132
8.2 Φυσική φθορά	132

## **9 ΟΔΗΓΟΣ ΑΝΤΙΜΕΤΩΠΙΣΗΣ ΠΡΟΒΛΗΜΑΤΩΝ** . . . . . **133**

9.1 ΟΔΗΓΟΣ ΑΝΤΙΜΕΤΩΠΙΣΗΣ ΠΡΟΒΛΗΜΑΤΩΝ	133
--------------------------------------	-----

## **10 Τεχνικά Δεδομένα** . . . . . **136**

10.1 ΤΥΠΙΚΕΣ ΠΑΡΑΜΕΤΡΟΙ ΠΡΟΪΟΝΤΟΣ	136
-----------------------------------	-----



# 1 ΓΕΝΙΚΕΣ

## 1.1 Σύμβολα

Σε αυτό το εγχειρίδιο χρησιμοποιούνται λέξεις - σήματα και εφαρμοζονται σε κινδύνους ή μη ασφαλείς εκτελέσεις, οι οποίες θα μπορούσαν να οδηγήσουν σε σωματική ή υλική βλάβη. Ανατρέξτε στον ακόλουθο πίνακα για τους ορισμούς των λέξεων-σημάτων.



### ΚΙΝΔΥΝΟΣ!

– Η λέξη κίνδυνος υποδηλώνει μια άμεσα επικίνδυνη κατάσταση η οποία, εάν δεν αποφευχθεί, θα έχει ως αποτέλεσμα θάνατο ή σοβαρό τραυματισμό.



### ΠΡΟΕΙΔΟΠΟΙΗΣΗ!

– Η λέξη προειδοποίηση υποδεικνύει μια πιθανώς επικίνδυνη κατάσταση, η οποία, εάν δεν αποφευχθεί, θα ήταν δυνατόν να έχει ως αποτέλεσμα θάνατο ή σοβαρό τραυματισμό.



### ΠΡΟΣΟΧΗ!

– Η λέξη Προσοχη υποδεικνύει μια πιθανώς επικίνδυνη κατάσταση, η οποία, εάν δεν αποφευχθεί, μπορεί να έχει ως αποτέλεσμα καταστροφή περιουσιακών στοιχείων ή ελαφρύ τραυματισμό ή και τα δύο.



Παρέχει χρήσιμες υποδείξεις, συστάσεις και πληροφορίες για αποτελεσματική χρήση χωρίς προβλήματα.

## Σύμβολα στην τεκμηρίωση



Διαβάστε το εγχειρίδιο



Απαγορεύεται Το Κάπνισμα



Μακριά από γυμνή φλόγα



Κατηγορία II, Διπλής μόνωσης



Εναλλασσόμενο ρεύμα



Εξοπλισμός τύπου BF



Ανακύκλωση



ΜΗΝ απορρίπτετε το προϊόν στα οικιακά απόβλητα



Κίνδυνος ηλεκτροπληξίας



Διατηρείτε το προϊ.ν στεγνό



Αντιπρόσωπος στην ΕΚ



Κατασκευαστής



Επικοινωνήστε με τον προμηθευτή



Αυτό το προϊόν συμμορφώνεται με την Οδηγία 93/42/ΕΟΚ περί ιατροτεχνολογικών βοηθημάτων.

Η ημερομηνία κυκλοφορίας αυτού του προϊόντος αναφέρεται στη δήλωση συμμόρφωσης ΕΚ.

Για περισσότερες πληροφορίες σχετικά με τις σημάνσεις CE, ανατρέξτε στις Τυπικές παραμέτρους προϊόντος.

### Σύμβολα στο προϊόν





Μονάδα σε λειτουργία



Μονάδα εκτός λειτουργίας

### Ενδείξεις οξυγόνου

σύμβολο	Καθαρότητα οξυγόνου	ΕΝΔΕΙΚΤΙΚΕΣ ΛΥΧΝΙΕΣ (LED)
O <sub>2</sub>	ΤΟ ΣΥΣΤΗΜΑ ΛΕΙΤΟΥΡΓΕΙ ΚΑΝΟΝΙΚΑ O <sub>2</sub> μεγαλύτερο από 85%	ΠΡΑΣΙΝΗ ενδεικτική λυχνία
	O <sub>2</sub> μεταξύ 73% και 85%	ΚΙΤΡΙΝΗ ενδεικτική λυχνία Α. ΚΙΤΡΙΝΗ σταθερά αναμμένη Β. ΚΙΤΡΙΝΗ που αναβοσβήνει, βλάβη Επικοινωνήστε με ειδικευμένο τεχνικό.
	ΒΛΑΒΗ ΤΟΥ ΣΥΣΤΗΜΑΤΟΣ O <sub>2</sub> μικρότερο από 73%	ΚΟΚΚΙΝΗ ενδεικτική λυχνία Τερματισμός λειτουργίας του συμπυκνωτή Sieve-GARD™ λόγω συνεχούς ηχητικού συναγερμού.

## 1.2 Προτεινόμενη χρήση

Ο συμπυκνωτής οξυγόνου σας προορίζεται για προσωπική χρήση από ασθενείς με αναπνευστικές διαταραχές που απαιτούν την πρόσθετη παροχή οξυγόνου. Η συσκευή δεν προορίζεται για τη διατήρηση ή την υποστήριξη της ζωής.



### **ΚΙΝΔΥΝΟΣ!**

Κίνδυνος τραυματισμού ή ζημιάς  
Το προϊόν αυτό πρέπει να χρησιμοποιείται για τη συμπληρωματική παροχή οξυγόνου και όχι ως εξοπλισμός υποστήριξης ή διατήρησης της ζωής. Να χρησιμοποιείτε αυτό το προϊόν ΜΟΝΟ εφόσον ο ασθενής έχει δυνατότητα αυτόματης αναπνοής και μπορεί να εισπνεύσει και να εκπνεύσει χωρίς τη χρήση μηχανήματος.  
– ΜΗ συνδέσετε το συμπυκνωτή, παράλληλα ή σε σειρά, με άλλους συμπυκνωτές οξυγόνου ή συσκευές οξυγονοθεραπείας.



### **ΚΙΝΔΥΝΟΣ!**

Κίνδυνος τραυματισμού ή ζημιάς  
Ανάλογα με την ιατρική τους πάθηση, οι ασθενείς με ρυθμό ροής μεγαλύτερο από 5 λίτρα/λεπτό ενδέχεται να αντιμετωπίζουν αυξημένο κίνδυνο σοβαρού τραυματισμού ή θανάτου σε περίπτωση βλάβης.  
– Να συζητάτε ΠΑΝΤΑ αυτόν τον αυξημένο κίνδυνο με τον πάροχο υπηρεσιών υγείας σας ΠΡΙΝ από τη χρήση αυτού του προϊόντος, αν σας έχουν δοθεί οδηγίες για ρυθμό ροής μεγαλύτερο των 5 λίτρων/λεπτό.



### **ΚΙΝΔΥΝΟΣ!**

Κίνδυνος τραυματισμού ή ζημιάς  
Αν και η Invacare καταβάλλει προσπάθειες ώστε να παράγει τον καλύτερο συμπυκνωτή οξυγόνου στην αγορά σήμερα, ενδέχεται να μην είναι δυνατή η παραγωγή οξυγόνου από αυτόν το συμπυκνωτή οξυγόνου λόγω διακοπής ρεύματος ή δυσλειτουργίας της συσκευής.  
– Να έχετε ΠΑΝΤΑ διαθέσιμη προς χρήση μια εφεδρική πηγή οξυγόνου.  
– Στην περίπτωση που δεν είναι δυνατή η παραγωγή οξυγόνου από το συμπυκνωτή, θα ενεργοποιηθεί για λίγο ο συναγερμός του συμπυκνωτή για να ειδοποιηθεί τον ασθενή να μεταβεί στην εφεδρική πηγή οξυγόνου. Ανατρέξτε στην Αντιμετώπιση προβλημάτων για περισσότερες πληροφορίες.



### **ΠΡΟΕΙΔΟΠΟΙΗΣΗ!**

Κίνδυνος τραυματισμού ή ζημιάς  
Η χρήση αυτού του προϊόντος κατά τρόπο διαφορετικό από τον προτεινόμενο και εκτός των παραμέτρων του δεν έχει ελεγχθεί και μπορεί να οδηγήσει σε βλάβη, απώλεια λειτουργικότητας ή τραυματισμό.  
– ΜΗ χρησιμοποιήσετε το προϊόν με οποιονδήποτε άλλον τρόπο από αυτόν που περιγράφεται στις ενότητες που αφορούν τις παραμέτρους και την προτεινόμενη χρήση του προϊόντος σε αυτό το εγχειρίδιο.

### 1.3 Περιγραφή

Ο συμπυκνωτής Perfecto<sub>2</sub> της Invacare προορίζεται για χρήση από ασθενείς με αναπνευστικές διαταραχές που απαιτούν πρόσθετη παροχή οξυγόνου. Η συσκευή δεν προορίζεται για τη διατήρηση ή την υποστήριξη της ζωής.

Το επίπεδο συμπύκνωσης οξυγόνου του αερίου εξόδου κυμαίνεται από 87% έως 95,6%. Το οξυγόνο παρέχεται στον ασθενή μέσω της χρήσης μιας ρινικής κάνουλας.

Ο συμπυκνωτής Perfecto<sub>2</sub> της Invacare χρησιμοποιεί τη μεθοδολογία μοριακής διήθησης και προσρόφησης με εναλλαγή πίεσης για την παραγωγή της εξόδου αερίου οξυγόνου. Αέρας από το περιβάλλοντα χώρο εισέρχεται στη συσκευή, φιλτράρεται και, στη συνέχεια, συμπιέζεται. Αυτός ο συμπιεσμένος αέρας κατευθύνεται, στη συνέχεια, στη μία εκ των δύο βάσεων διήθησης προσρόφησης αζώτου.

Το συμπυκνωμένο οξυγόνο εξέρχεται από την απέναντι πλευρά της ενεργής βάσης διήθησης και κατευθύνεται σε μια δεξαμενή οξυγόνου από όπου παρέχεται στον ασθενή.

Ο συμπυκνωτής Perfecto<sub>2</sub> της Invacare μπορεί να χρησιμοποιηθεί από τον ασθενή σε οικιακό περιβάλλον ή σε περιβάλλον νοσηλευτικού ιδρύματος. Η συσκευή λειτουργεί με ονομαστική παροχή ρεύματος 230 VAC/50 Hertz.



Και τα δύο μοντέλα συμπυκνωτή (IRC5PO2AW και IRC5PO2VAW) έχουν πανομοιότυπες παραμέτρους λειτουργίας. Οι μοναδικές τους διαφορές έγκεινται στο βάρος του προϊόντος και στην κατανάλωση ρεύματος. Ανατρέξτε στις Τυπικές παραμέτρους του προϊόντος.

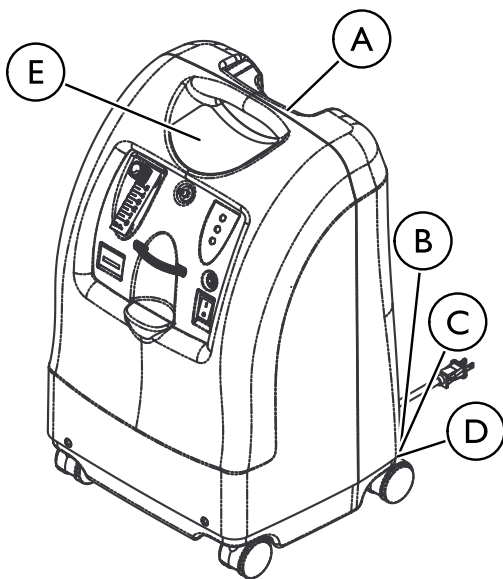
Διατίθενται κατόπιν αιτήματος πληροφορίες συντήρησης αποκλειστικά σε εξειδικευμένο τεχνικό προσωπικό.

### 1.4 Αντενδείξεις













Invacare δεν έχει επίγνωση για τυχόν αντενδείξεις που να αφορούν στη σειρά συμπυκνωτών Invacare Perfecto<sub>2</sub>.

## 2 Ασφάλειας

### 2.1 Θέσεις ετικετών



A	Η ετικέτα σειριακού αριθμού βρίσκεται στη διάταξη εισαγωγής συντονιστή.
B	Η ετικέτα προδιαγραφών βρίσκεται στο πίσω μέρος του συμπυκνωτή, στη βάση.
C	Η ετικέτα αντιπροσώπου ΕΕ βρίσκεται στη βάση.

D	<p>Η ετικέτα φθαλιού βρίσκεται στη βάση.</p>
	<p style="text-align: center;"><b>Perfecto<sub>2</sub>™</b></p> <p> ΑΝΑΓΡΕΨΤΕ ΣΤΟ ΕΓΧΕΙΡΙΔΙΟ ΧΡΗΣΤΗ Ή ΕΠΙΚΟΙΝΩΝΗΣΤΕ ΜΕ ΤΟΝ ΠΡΟΜΗΘΕΥΤΗ ΤΟΥ ΟΙΚΙΑΚΟΥ ΣΑΣ ΕΞΟΠΛΙΣΜΟΥ ΓΙΑ ΟΔΗΓΙΕΣ ΣΧΕΤΙΚΑ ΜΕ ΤΗΝ ΑΣΦΑΛΗ ΛΕΙΤΟΥΡΓΙΑ, ΤΟΥΣ ΣΥΝΑΓΕΡΜΟΥΣ, ΤΙΣ ΗΧΗΤΙΚΕΣ ΠΡΕΙΔΟΠΟΙΗΣΕΙΣ ΚΑΙ ΤΗ ΧΡΗΣΗ ΤΩΝ ΒΟΗΘΗΤΙΚΩΝ ΕΞΑΡΤΗΜΑΤΩΝ.</p> <hr/> <p> <b>ΚΙΝΔΥΝΟΣ ΚΙΝΔΥΝΟΣ ΦΩΤΙΑΣ - ΜΗΝ ΚΑΠΝΙΖΕΤΕ ΚΑΙ ΑΠΟΜΑΚΡΥΝΘΕΙΤΕ ΑΠΟ ΓΥΜΝΕΣ ΦΛΟΓΕΣ Ή ΠΗΓΕΣ ΑΝΑΦΛΕΞΗΣ</b></p> <p> </p> <p>Διατηρήστε ΟΛΕΣ τις πηγές αναφλέξης μακριά από το χώρο όπου βρίσκεται αυτό το προϊόν και μακριά από χώρους όπου γίνεται χρήση οζυγόνου. Τα υφάσματα, το πετρέλαιο και άλλες καύσιμες ολές μπορούν εύκολα να αναφλεγούν και να προκαλέσουν δυνατή φωτιά σε ατμόσφαιρα εμπλουτισμένη με οζυγόνο.</p> <p> <b>ΚΙΝΔΥΝΟΣ ΚΙΝΔΥΝΟΣ ΗΛΕΚΤΡΟΠΛΗΞΙΑΣ</b> </p> <p>ΜΗΝ αφαιρείτε το κάλυμμα. Αναθέστε τις εργασίες επισκευής σε κατάλληλα καταρτισμένο προσωπικό σέρβις.</p> <p style="text-align: right;">HomeFill® II Συμβατό</p>
E	<p style="text-align: center;"><b>Perfecto<sub>2</sub>™ V</b></p> <p> ΑΝΑΓΡΕΨΤΕ ΣΤΟ ΕΓΧΕΙΡΙΔΙΟ ΧΡΗΣΤΗ Ή ΕΠΙΚΟΙΝΩΝΗΣΤΕ ΜΕ ΤΟΝ ΠΡΟΜΗΘΕΥΤΗ ΤΟΥ ΟΙΚΙΑΚΟΥ ΣΑΣ ΕΞΟΠΛΙΣΜΟΥ ΓΙΑ ΟΔΗΓΙΕΣ ΣΧΕΤΙΚΑ ΜΕ ΤΗΝ ΑΣΦΑΛΗ ΛΕΙΤΟΥΡΓΙΑ, ΤΟΥΣ ΣΥΝΑΓΕΡΜΟΥΣ, ΤΙΣ ΗΧΗΤΙΚΕΣ ΠΡΕΙΔΟΠΟΙΗΣΕΙΣ ΚΑΙ ΤΗ ΧΡΗΣΗ ΤΩΝ ΒΟΗΘΗΤΙΚΩΝ ΕΞΑΡΤΗΜΑΤΩΝ.</p> <hr/> <p> <b>ΚΙΝΔΥΝΟΣ ΚΙΝΔΥΝΟΣ ΦΩΤΙΑΣ - ΜΗΝ ΚΑΠΝΙΖΕΤΕ ΚΑΙ ΑΠΟΜΑΚΡΥΝΘΕΙΤΕ ΑΠΟ ΓΥΜΝΕΣ ΦΛΟΓΕΣ Ή ΠΗΓΕΣ ΑΝΑΦΛΕΞΗΣ</b></p> <p> </p> <p>Διατηρήστε ΟΛΕΣ τις πηγές αναφλέξης μακριά από το χώρο όπου βρίσκεται αυτό το προϊόν και μακριά από χώρους όπου γίνεται χρήση οζυγόνου. Τα υφάσματα, το πετρέλαιο και άλλες καύσιμες ολές μπορούν εύκολα να αναφλεγούν και να προκαλέσουν δυνατή φωτιά σε ατμόσφαιρα εμπλουτισμένη με οζυγόνο.</p> <p> <b>ΚΙΝΔΥΝΟΣ ΚΙΝΔΥΝΟΣ ΗΛΕΚΤΡΟΠΛΗΞΙΑΣ</b> </p> <p>ΜΗΝ αφαιρείτε το κάλυμμα. Αναθέστε τις εργασίες επισκευής σε κατάλληλα καταρτισμένο προσωπικό σέρβις.</p> <p style="text-align: right;">HomeFill® II Συμβατό</p>

## 2.2 ΓΕΝΙΚΕΣ ΟΔΗΓΙΕΣ

Προκειμένου να διασφαλιστεί η ασφαλής εγκατάσταση, συναρμολόγηση και λειτουργία του συμπυκνωτή, ΠΡΕΠΕΙ να ακολουθήσετε τις παρακάτω οδηγίες.



### ΚΙΝΔΥΝΟΣ!

Κίνδυνος θανάτου, τραυματισμού ή βλάβη  
 Η ακατάλληλη χρήση του προϊόντος μπορεί να οδηγήσει σε θάνατο, τραυματισμό ή βλάβη. Η ενότητα αυτή περιλαμβάνει σημαντικές πληροφορίες για την ασφαλή λειτουργία και χρήση του προϊόντος.

- ΜΗ χρησιμοποιήσετε το προϊόν ή τυχόν διαθέσιμο προαιρετικό εξοπλισμό χωρίς να έχετε προηγουμένως διαβάσει και κατανοήσει πλήρως τις παρούσες οδηγίες και τυχόν επιπρόσθετο ενημερωτικό υλικό, όπως εγχειρίδια χρήσης, εγχειρίδια τεχνικής υποστήριξης ή φύλλα οδηγιών, που παρέχονται με το προϊόν ή τον προαιρετικό εξοπλισμό.
- Εάν δε μπορείτε να κατανοήσετε τις προειδοποιήσεις, τις δηλώσεις προσοχής ή τις οδηγίες, επικοινωνήστε με έναν επαγγελματία νοσηλευτή, έναν αντιπρόσωπο ή με τεχνικό προσωπικό, πριν επιχειρήσετε τη χρήση του εξοπλισμού αυτού.
- Ελέγξτε ΟΛΑ τα εξωτερικά εξαρτήματα και τη συσκευασία για να βεβαιωθείτε ότι είναι σε καλή κατάσταση. Σε περίπτωση βλάβης ή εάν το προϊόν δεν λειτουργεί κανονικά, επικοινωνήστε με έναν τεχνικό ή την Invascare για να προχωρήσετε σε επισκευή.
- ΟΙ ΠΛΗΡΟΦΟΡΙΕΣ ΠΟΥ ΠΕΡΙΛΑΜΒΑΝΟΝΤΑΙ ΣΕ ΑΥΤΟ ΤΟ ΕΓΓΡΑΦΟ ΕΝΔΕΧΕΤΑΙ ΝΑ ΑΛΛΑΞΟΥΝ ΧΩΡΙΣ ΠΡΟΕΙΔΟΠΟΙΗΣΗ.



### ΚΙΝΔΥΝΟΣ!

Κίνδυνος θανάτου, τραυματισμού, ή ζημιά από την πυρκαγιά

Τα υφάσματα, οι ουσίες που έχουν ως βάση το πετρέλαιο, τα γράσα, οι λιπαντικές ουσίες και άλλα εύφλεκτα υλικά αναφλέγονται εύκολα και καίγονται με μεγάλη ένταση σε αέρα εμπλουτισμένο με οξυγόνο και όταν έρχονται σε επαφή με οξυγόνο υπό πίεση. Για να αποφύγετε τον κίνδυνο πυρκαγιάς, θανάτου, τραυματισμού ή βλάβης:

- ΜΗΝ ΚΑΠΝΙΖΕΤΕ όταν χρησιμοποιείτε αυτή τη συσκευή.
- ΜΗΝ αφήνετε τη συσκευή κοντά σε ΓΥΜΝΗ ΦΛΟΓΑ ή ΠΗΓΕΣ ΑΝΑΦΛΕΞΗΣ.
- ΜΗ χρησιμοποιείτε λιπαντικά στο συμπυκνωτή, εκτός εάν συνιστάται από την Invacare.
- Οι πινακίδες ΑΠΑΓΟΡΕΥΣΗΣ ΤΟΥ ΚΑΠΝΙΣΜΑΤΟΣ πρέπει να βρίσκονται σε εμφανές σημείο.
- Αποφύγετε τη δημιουργία σπίθας κοντά σε εξοπλισμό οξυγόνου. Η οδηγία αυτή αφορά και τις σπίθες από στατικό ηλεκτρισμό που έχουν προκληθεί από οποιονδήποτε τύπο τριβής.
- Διατηρείτε τα σπύρτα, αναμμένα τσιγάρα ή άλλες πηγές ανάφλεξης μακριά από το δωμάτιο όπου βρίσκεται ο συμπυκνωτής και μακριά από χώρους όπου γίνεται χορήγηση οξυγόνου.
- Κρατήστε τη σωλήνωση παροχής οξυγόνου, το καλώδιο και το συμπυκνωτή έξω από κουβέρτες, παπλώματα, μαξιλάρια, ρούχα και μακριά από ζεστές ή καυτές επιφάνειες, όπως καλοριφέρ, φούρνους και παρόμοιες ηλεκτρικές συσκευές.



### ΠΡΟΣΟΧΗ!

Η ομοσπονδιακή νομοθεσία επιτρέπει την πώληση αυτής της συσκευής μόνο από ή κατόπιν εντολής ιατρού, ο οποίος έχει άδεια ασκήσεως επαγγέλματος στον τόπο άσκησης του επαγγέλματός του.

- Η αγορά και η χρήση της συσκευής εγκρίνεται ΜΟΝΟ από ιατρό με άδεια ασκήσεως επαγγέλματος.

**ΚΙΝΔΥΝΟΣ!**

Κίνδυνος θανάτου, τραυματισμού, από ηλεκτροπληξία

- Για να μειώσετε τον κίνδυνο εγκαυμάτων, ηλεκτροπληξίας, θανάτου ή τραυματισμού:
- ΜΗΝ αποσυναρμολογείτε το προϊόν. Αναθέστε τις εργασίες επισκευής σε κατάλληλα καταρτισμένο προσωπικό τεχνικής υποστήριξης. Δεν υπάρχουν εξαρτήματα που επιδέχονται επισκευή από το χρήστη.
  - Αποφύγετε τη χρήση ενώ κάνετε μπάνιο. Εάν απαιτείται συνεχής χρήση κατόπιν εντολής ιατρού, ο συμπτωκνωτής πρέπει να βρίσκεται σε άλλο δωμάτιο, σε απόσταση τουλάχιστον 2,5 μέτρων από το μπάνιο.
  - ΜΗΝ ακουμπάτε το συμπτωκνωτή ενώ είστε βρεγμένοι.
  - ΜΗΝ τοποθετείτε και μην αποθηκεύετε το συμπτωκνωτή σε χώρους όπου υπάρχει κίνδυνος να πέσει σε νερό ή άλλο υγρό.
  - ΜΗΝ πιάσετε το συμπτωκνωτή εάν έχει πέσει σε νερό. Αποσυνδέστε τον ΑΜΕΣΩΣ από την πρίζα.
  - ΜΗ χρησιμοποιείτε ξεφτισμένα ή κατεστραμμένα καλώδια τροφοδοσίας εναλλασσόμενου ρεύματος.

**ΠΡΟΕΙΔΟΠΟΙΗΣΗ!**

Κίνδυνος τραυματισμού ή ζημιάς

- Τα προϊόντα της Invacare έχουν σχεδιαστεί και κατασκευαστεί ειδικά για χρήση σε συνδυασμό με τα βοηθητικά εξαρτήματα της Invacare. Τα βοηθητικά εξαρτήματα που έχουν σχεδιαστεί από άλλους κατασκευαστές δεν έχουν δοκιμαστεί από την Invacare και δεν συνιστώνται για χρήση σε συνδυασμό με τα προϊόντα της Invacare.
- Υπάρχουν πολλοί διαφορετικοί τύποι υγραντήρων, σωληνώσεων οξυγόνου, σωληνίσκων και μασκών που μπορούν να χρησιμοποιηθούν με αυτήν τη συσκευή. Απευθυνθείτε στον πάροχο κατ' οίκον υπηρεσιών υγείας της περιοχής σας για συστάσεις σχετικά με τη συσκευή που θα είναι κατάλληλη για εσάς. Θα μπορεί επίσης να σας συμβουλευτεί σχετικά με την ορθή χρήση, τη συντήρηση και τον καθαρισμό.

**ΚΙΝΔΥΝΟΣ!**

Κίνδυνος τραυματισμού ή ζημιάς

- Για να αποφύγετε τον κίνδυνο πνιγμού ή κατάποσης χημικών ουσιών λόγω μόλυνσης της αναπνευστικής οδού:
- ΜΗ χρησιμοποιείτε το συμπτωκνωτή σε χώρους όπου υπάρχουν ρύποι, καπνός, αναθυμιάσεις, εύφλεκτες αναισθητικές ουσίες, απορρυπαντικά ή χημικοί ατμοί.





#### ΠΡΟΕΙΔΟΠΟΙΗΣΗ!

Κίνδυνος τραυματισμού ή ζημιάς

Για να αποφύγετε τον κίνδυνο τραυματισμού ή θανάτου από κακή χρήση του προϊόντος:

- Να επιβλέπετε στενά τη χρήση του συμπυκνωτή από ή κοντά σε παιδιά ή άτομα με αναπηρίες.
- Να παρακολουθείτε τους ασθενείς που δεν έχουν τη δυνατότητα να ακούσουν ή να δουν τις ειδοποιήσεις ή να επικοινωνήσουν τη δυσφορία τους ενώ χρησιμοποιούν τη συσκευή.



#### ΠΡΟΕΙΔΟΠΟΙΗΣΗ!

Κίνδυνος τραυματισμού

Η αλλαγή υψόμετρου μπορεί να επηρεάσει το συνολικό διαθέσιμο οξυγόνο. Για να αποφύγετε τον κίνδυνο έλλειψης οξυγόνου:

- Πριν ταξιδέψετε σε τοποθεσίες με μεγαλύτερο ή μικρότερο υψόμετρο, συμβουλευτείτε τον ιατρό σας προκειμένου να διαπιστώσετε εάν πρέπει να αλλάξετε τις ρυθμίσεις ροής.



#### ΠΡΟΕΙΔΟΠΟΙΗΣΗ!

Κίνδυνος τραυματισμού ή θανάτου

Προς αποφυγή πνιγμού ή/και στραγγαλισμού λόγω συστροφής της σωλήνωσης:

- Κρατήστε τα παιδιά και τα κατοικίδια μακριά από το ρινικό σωληνίσκο και τη σωλήνωση.
- Κατά τη χρήση του ρινικού σωληνίσκου από ή κοντά σε παιδιά ή/και άτομα με αναπηρία, απαιτείται στενή επίβλεψη.



#### ΠΡΟΕΙΔΟΠΟΙΗΣΗ!

Κίνδυνος τραυματισμού ή ζημιάς

Για να αποφύγετε τον κίνδυνο τραυματισμού ή βλάβης από κακή χρήση του καλωδίου:

- ΜΗ μετακινείτε το συμπυκνωτή τραβώντας τον από το καλώδιο.
- ΜΗ χρησιμοποιείτε καλώδια προέκτασης με το παρεχόμενο τροφοδοτικό εναλλασσόμενου ρεύματος.
- Αποθηκεύστε και τοποθετήστε σωστά τα ηλεκτρικά καλώδια ή/και τη σωλήνωση ώστε να μην υπάρχει κίνδυνος να παραπατήσετε.



#### ΠΡΟΕΙΔΟΠΟΙΗΣΗ!

Κίνδυνος τραυματισμού ή ζημιάς

Για να περιορίσετε τον κίνδυνο τραυματισμού ή θανάτου από ασθένεια:

- Να αντικαθιστάτε το ρινικό σωληνίσκο ανά τακτά χρονικά διαστήματα. Για να διαπιστώσετε πόσο συχνά πρέπει να αντικαθιστάτε το σωληνίσκο, απευθυνθείτε στον προμηθευτή του εξοπλισμού ή στον ιατρό σας.
- ΜΗ χρησιμοποιείτε τους ίδιους σωληνίσκους σε περισσότερους από έναν ασθενείς.

**ΠΡΟΕΙΔΟΠΟΙΗΣΗ!**

Κίνδυνος τραυματισμού ή ζημιάς  
 Για να αποφύγετε τον κίνδυνο τραυματισμού ή βλάβης από κακή χρήση:

- ΠΟΤΕ μην αφήνετε το συμπτικνωτή χωρίς επιτήρηση ενώ είναι συνδεδεμένος.
- Να βεβαιώνετε ότι ο συμπτικνωτής είναι απενεργοποιημένος, όταν δεν χρησιμοποιείται.
- Η χρήση σε εξωτερικούς χώρους ΠΡΕΠΕΙ να διεξάγεται μόνο με τροφοδοσία από την εσωτερική ή εφεδρική μπαταρία.

**ΠΡΟΕΙΔΟΠΟΙΗΣΗ!**

Κίνδυνος τραυματισμού ή ζημιάς  
 Οι συμπτικνωτές οξυγόνου της Invacare έχουν σχεδιαστεί ειδικά, έτσι ώστε να ελαχιστοποιείται η τακτική προληπτική συντήρησή τους. Για να αποφύγετε τον κίνδυνο τραυματισμού ή βλάβης:

- Οι εργασίες προληπτικής συντήρησης και οι προσαρμογές της απόδοσης του συμπτικνωτή οξυγόνου πρέπει να εκτελούνται αποκλειστικά και μόνο από επαγγελματίες του κλάδου υγείας ή άτομα που γνωρίζουν πολύ καλά τη συγκεκριμένη διαδικασία, π.χ. προσωπικό που έχει εκπαιδευτεί από το εργοστάσιο. Εξαιρούνται οι εργασίες που περιγράφονται σε αυτό το εγχειρίδιο.
- Για σέρβις, επικοινωνήστε με τον προμηθευτή σας ή την Invacare.

**ΠΡΟΣΟΧΗ!**

Κίνδυνος πρόκλησης βλάβης  
 Για να αποφύγετε τον κίνδυνο βλάβης λόγω εισροής υγρών:

- Εάν ο συμπτικνωτής δεν λειτουργεί σωστά, έχει πέσει, έχει υποστεί βλάβη ή έχει πέσει σε νερό, καλέστε τον προμηθευτή του εξοπλισμού/εξειδικευμένο τεχνικό για να τον ελέγξει και να τον επισκεύασει.
- ΠΟΤΕ μη ρίχνετε ή τοποθετείτε οποιοδήποτε αντικείμενο ή υγρό σε οποιοδήποτε άνοιγμα.
- Η Invacare συνιστά να μη χρησιμοποιείται ο συμπτικνωτής σε συνθήκες βροχής.

## 2.3 Παρεμβολές ραδιοσυχνότητας

**ΠΡΟΕΙΔΟΠΟΙΗΣΗ!**

Κίνδυνος τραυματισμού ή ζημιάς  
 Προκειμένου να μειωθεί ο κίνδυνος τραυματισμού ή ζημιάς στο προϊόν από παρεμβολές με ασύρματο εξοπλισμό:

- Κρατήστε το συγκεντρωτή τουλάχιστον 3,0 m (9,8 ποδ.) μακριά από εξοπλισμό ασύρματης επικοινωνίας, όπως ασύρματες συσκευές οικιακού δικτύου, κινητά τηλέφωνα, ασύρματα τηλέφωνα και σταθμούς βάσης, φορητά ραδιοτηλέφωνα (walkie-talkie) κ.λπ.

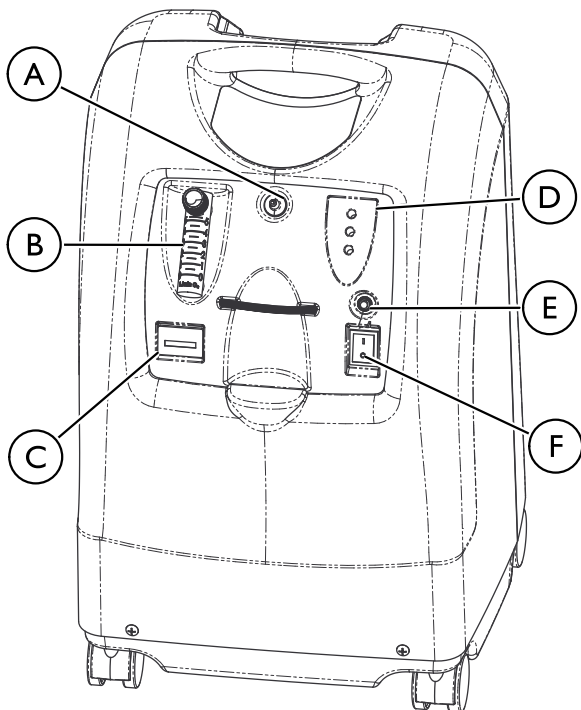
Αυτός ο εξοπλισμός έχει δοκιμαστεί και αποδείχθηκε ότι συμμορφώνεται με τα όρια ΗΜΣ που καθορίζονται από το πρότυπο IEC/EN 60601-1-2. Στόχος των ορίων αυτών είναι να παρέχουν εύλογη προστασία έναντι των ηλεκτρομαγνητικών παρεμβολών σε μια τυπική ιατρική εγκατάσταση.

Ορισμένες συσκευές ενδέχεται να παρουσιάσουν παρεμβολές ακόμη και από τα χαμηλά επίπεδα ηλεκτρομαγνητικών εκπομπών που επιτρέπει το παραπάνω πρότυπο. Για να διαπιστώσετε εάν οι παρεμβολές οφείλονται στις εκπομπές του συμπτικνωτή, απενεργοποιήστε το συμπτικνωτή. Εάν σταματήσουν οι παρεμβολές στις άλλες συσκευές, τότε οι παρεμβολές προκαλούνται από το συμπτικνωτή. Σε αυτές τις σπάνιες περιπτώσεις, υπάρχει δυνατότητα μείωσης ή διόρθωσης των παρεμβολών λαμβάνοντας ένα από τα παρακάτω μέτρα:

- Επανατοποθετήστε, αλλάξτε θέση ή αυξήστε την απόσταση μεταξύ των συσκευών.
- Συνδέστε τον εξοπλισμό σε πρίζα διαφορετικού κυκλώματος από αυτό στο οποίο είναι συνδεδεμένες οι άλλες συσκευές.

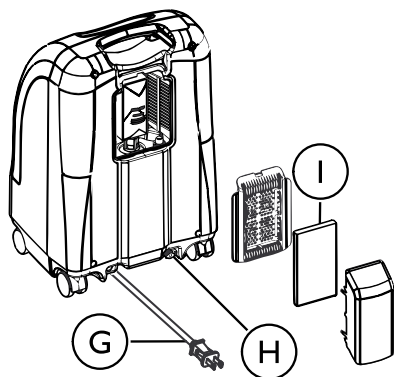
### 3 Εξαρτήματα

#### 3.1 Προσδιορισμός εξαρτημάτων



(A)	Στόμιο εξόδου οξυγόνου
(B)	Μετρητής ροής
(C)	Μετρητής Παρελθόντος Χρόνου
(D)	Ενδεικτικές Λυχνίες Καθαρότητας Οξυγόνου / Ενδεικτικές Λυχνίες Σφάλματος και Ρεύματος
(E)	Διακόπτης ρεύματος
(F)	Ασφαλειοδιακόπτης

## Πίσω όψη



Ⓒ	Καλώδιο Ρεύματος
Ⓗ	Εξάρτημα σύνδεσης εξόδου HomeFill
Ⓛ	Φίλτρο περιβλήματος

**i** Το εξάρτημα σύνδεσης Ⓜ εξόδου HomeFill προορίζεται για χρήση αποκλειστικά για την πλήρωση φιαλών οξυγόνου με τον οικιακό συμπιεστή οξυγόνου HomeFill. Το εξάρτημα σύνδεσης εξόδου δεν επηρεάζει την απόδοση του συμπυκνωτή. Ανατρέξτε στο εγχειρίδιο χρήσης του HomeFill για οδηγίες σχετικά με τη σύνδεση και τη λειτουργία. Όταν δεν χρησιμοποιείται, το βύσμα που παρέχεται με το συμπυκνωτή πρέπει να τοποθετείται στο εξάρτημα σύνδεσης εξόδου. Για περισσότερες πληροφορίες σχετικά με το HomeFill επικοινωνήστε με τον αντιπρόσωπο της Invacare.

## 4 βοθητικά εξαρτήματα

### 4.1 ΠΡΟΑΙΡΕΤΙΚΑ ΕΞΑΡΤΗΜΑΤΑ

Υπάρχουν πολλοί διαφορετικοί τύποι υγραντήρων, σωληνώσεων οξυγόνου, σωληνίσκων και μασκών που μπορούν να χρησιμοποιηθούν με αυτήν τη συσκευή. Απευθυνθείτε στον πάροχο κατ' οίκον υπηρεσιών υγείας της περιοχής σας για συστάσεις σχετικά με τη συσκευή που θα είναι κατάλληλη για εσάς. Θα μπορεί επίσης να σας συμβουλευτεί σχετικά με την ορθή χρήση, τη συντήρηση και τον καθαρισμό.

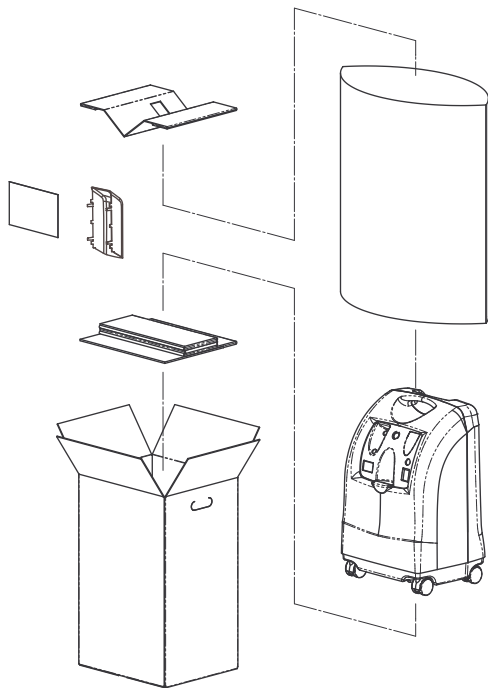
Τα βοηθητικά εξαρτήματα της παροχής (ρινικός σωληνίσκος, μάσκα, σωλήνωση, υγραντήρας κ.λπ.) που χρησιμοποιούνται για την παροχή οξυγόνου στον ασθενή πρέπει να περιλαμβάνουν ένα μέσο για τη μείωση της εξάπλωσης της φωτιάς στα βοηθητικά εξαρτήματα για την ασφάλεια του ασθενή και άλλων ατόμων. Εάν χρησιμοποιηθεί μια συσκευή του εμπορίου που διακόπτει τη ροή οξυγόνου όταν ανιχνεύεται φωτιά στη διάταξη των βοηθητικών εξαρτημάτων, πρέπει να τοποθετηθεί όσο το δυνατόν πιο κοντά στον ασθενή.

Διατίθενται επίσης τα εξής προαιρετικά βοηθητικά εξαρτήματα (αναφέρονται παρακάτω) και ανταλλακτικά:

- Βασικός ρινικός σωληνίσκος για ενήλικες, 2,1 μ. (7 πόδια) - M3120
- Βασικός υγραντήρας - Κωδικός εξαρτήματος Invacare 1155719
- Παιδιατρικό βοηθητικό εξάρτημα υγραντήρα/μετρητή ροής PreciseRX™ - IRCPF16AW
- Οικιακός συμπιεστής οξυγόνου HomeFill - IOH200AW
- Θήκη φιάλης υγραντήρα - M1521
- Σωλήνωση παροχής οξυγόνου 2,1 μ. (7 πόδια) - MS4107
- Σωλήνωση παροχής οξυγόνου 6,3 μ. (21 πόδια) - MS4121

## 5 Διάταξη

### 5.1 Αποσυσκευασία



1. Ελέγξτε για τυχόν εμφανή ζημιά στο χαρτονένιο κουτί ή στο περιεχόμενό του. Αν η βλάβη είναι εμφανής, ενημερώστε τη μεταφορική εταιρία ή τον εμπορικό αντιπρόσωπο της περιοχής σας.
2. Αφαιρέστε όλη τη χαλαρή συσκευασία από το χαρτονένιο κουτί.
3. Αφαιρέστε προσεκτικά όλα τα εξαρτήματα από το κουτί.



Αν δεν πρόκειται να χρησιμοποιήσετε ΑΜΕΣΩΣ το συμπυκνωτή οξυγόνου, φυλάξτε τον στη συσκευασία του μέχρι να απαιτηθεί η χρήση του.

### 5.2 Επιθεώρηση

1. Ελέγξτε/εξετάστε εξωτερικά το συμπυκνωτή για τυχόν γδαρσίματα, κοιλώματα, ρωγμές, χαρακιές ή άλλη φθορά.
2. Επιθεωρήστε όλα τα εξαρτήματα.

### 5.3 Φυλαξη

1. Φυλάσσετε τον ανασυσκευασμένο συμπυκνωτή οξυγόνου σε ξηρό χώρο. Ανατρέξτε στις Τυπικές παραμέτρους του προϊόντος για τις παραμέτρους της θερμοκρασίας αποθήκευσης.
2. ΜΗΝ τοποθετείτε αντικείμενα πάνω από τον ανασυσκευασμένο συμπυκνωτή.

## 6 Χρήση

### 6.1 Εισαγωγή

Ο συμπυκνωτής οξυγόνου σας προορίζεται για ατομική χρήση σε εσωτερικό χώρο. Είναι μια συσκευή που λειτουργεί ηλεκτρονικά, η οποία διαχωρίζει το οξυγόνο από τον αέρα του δωματίου. Παρέχει υψηλή συγκέντρωση οξυγόνου απευθείας σε σας, μέσω ρινικής κάνουλας. Κλινικές μελέτες έχουν τεκμηριώσει ότι οι συμπυκνωτές οξυγόνου είναι ισοδύναμες θεραπευτικά με άλλους τύπους συστημάτων χορήγησης οξυγόνου.

Ο προμηθευτής σας θα σας δείξει τον τρόπο χρήσης του συμπυκνωτή σας. Πρέπει να επικοινωνήσετε μαζί του για τυχόν ερωτήσεις ή προβλήματα σχετικά με το συμπυκνωτή οξυγόνου σας. Αυτό το εγχειρίδιο κατόχου θα σας εξηγήσει τη λειτουργία του συμπυκνωτή σας και θα οδηγήσει ως οδηγός αναφοράς κατά τη χρήση του.

### 6.2 Επιλογή θέσης



#### ΠΡΟΕΙΔΟΠΟΙΗΣΗ!

Κίνδυνος τραυματισμού ή ζημιάς

Για να αποφύγετε πιθανό τραυματισμό ή βλάβη από αερομεταφερόμενους ρύπους ή/και αναθυμιάσεις και για να διασφαλίσετε την καλύτερη δυνατή απόδοση:

- Εγκαταστήστε και τοποθετήστε το συμπυκνωτή σε καλά αεριζόμενο χώρο, έτσι ώστε να μην παρεμποδίζεται η εισαγωγή και η εξαγωγή αέρα.
- ΠΟΤΕ μη φράζετε τα ανοίγματα διέλευσης του αέρα του συμπυκνωτή και μην τοποθετείτε το συμπυκνωτή σε μαλακή επιφάνεια, π.χ. σε κρεβάτι ή καναπέ, όπου υπάρχει κίνδυνος αποκλεισμού των ανοιγμάτων διέλευσης αέρα.
- Διατηρήστε τα ανοίγματα καθαρά από χνούδια, τρίχες και άλλα παρόμοια.
- Τοποθετήστε το συμπυκνωτή σε σημείο που απέχει τουλάχιστον 30,5 εκατοστά από τοίχους, κουρτίνες και έπιπλα.
- Αποφύγετε τη χρήση του συμπυκνωτή όταν υπάρχουν ρύποι, καπνός ή αναθυμιάσεις, εύφλεκτες αναισθητικές ουσίες, καθαριστικά ή χημικοί ατμοί.
- Τοποθετήστε το συμπυκνωτή σε καλά αεριζόμενο χώρο για να αποφύγετε τους αερομεταφερόμενους ρύπους ή/και τις αναθυμιάσεις.
- ΜΗΝ τοποθετήσετε το συμπυκνωτή σε ντουλάπα.



**ΠΡΟΕΙΔΟΠΟΙΗΣΗ!**

Κίνδυνος τραυματισμού  
Προς αποφυγή τραυματισμού κατά τη διάρκεια της  
θεραπείας:

- Ο συγκεντρωτής οξυγόνου ΠΡΕΠΕΙ να τοποθετείται σε επίπεδη επιφάνεια προκειμένου να χρησιμοποιηθεί.
- ΜΗΝ μετατοπίζετε το συμπυκνωτή οξυγόνου ενώ βρίσκεται σε χρήση.

Μπορείτε να επιλέξετε ένα δωμάτιο στο σπίτι σας, όπου η χρήση του συμπυκνωτή οξυγόνου σας θα είναι ιδιαίτερα βολική. Ο συμπυκνωτής σας μπορεί να κυλήσει εύκολα από δωμάτιο σε δωμάτιο στις ρόδες του.

Ο συμπυκνωτής οξυγόνου σας έχει καλύτερη απόδοση όταν χρησιμοποιείται υπό τις συνθήκες που περιγράφονται στον παρακάτω πίνακα.

Χρήση σε περιβάλλοντα διαφορετικά από εκείνα που περιγράφονται ενδέχεται να έχει ως αποτέλεσμα την ανάγκη για αυξημένη συντήρηση του εξοπλισμού. Η εισροή αέρα της μονάδας πρέπει να βρίσκεται σε καλά αεριζόμενο χώρο, έτσι ώστε να αποφευχθούν ρύποι που μεταφέρονται με τον αέρα ή/και αναθυμιάσεις.

## 6.3 Ρύθμιση του υγραντήρα

1. Συνδέστε το καλώδιο ρεύματος σε ηλεκτρική πρίζα.
2. Σύνδεση υγραντήρα (Εάν έχει συνταγογραφηθεί).

### 6.3.1 Ρύθμιση του υγραντήρα

**ΠΡΟΕΙΔΟΠΟΙΗΣΗ!**

Κίνδυνος τραυματισμού ή ζημιάς  
Για να αποφύγετε τα εγκαύματα από τον ατμό ή το καυτό νερό, την εισπνοή νερού ή/και τη βλάβη από νερό στο συμπυκνωτή:

- ΜΗΝ γεμίζετε τη φιάλη του υγραντήρα με καυτό νερό. Αφήστε το βρασμένο νερό να κρυώσει σε θερμοκρασία δωματίου προτού το χύσετε στον υγραντήρα.
- ΜΗ γεμίζετε υπερβολικά τον υγραντήρα.
- Αντικαταστήστε το πώμα του υγραντήρα και σφίξτε το με ασφάλεια. Βεβαιωθείτε ότι το πώμα δεν έχει στραβοβιδωθεί στη φιάλη του υγραντήρα.
- ΜΗΝ τοποθετείτε ανάποδα τις συνδέσεις εισόδου και εξόδου του οξυγόνου. Το νερό από τη φιάλη του υγραντήρα θα οδηγηθεί μέσω του σωληνίσκου ξανά στον ασθενή, αν οι συνδέσεις εισόδου και εξόδου τοποθετηθούν ανάποδα.
- Όταν χρησιμοποιείτε συνδέσεις σωληνώσεων μήκους άνω των 2,1 μ. (7 ποδιών), τοποθετήστε τον υγραντήρα όσο το δυνατόν πιο κοντά στον ασθενή, ώστε να επιτυγχάνεται η μέγιστη δυνατή ύγρανση.



### ΠΡΟΕΙΔΟΠΟΙΗΣΗ!

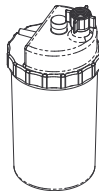
Κίνδυνος τραυματισμού ή ζημιάς  
 Η μη ορθή εγκατάσταση της φιάλης του υγραντήρα  
 ή άλλων βοηθητικών εξαρτημάτων στο συμπυκνωτή  
 θα επηρεάσει τη ροή του οξυγόνου.

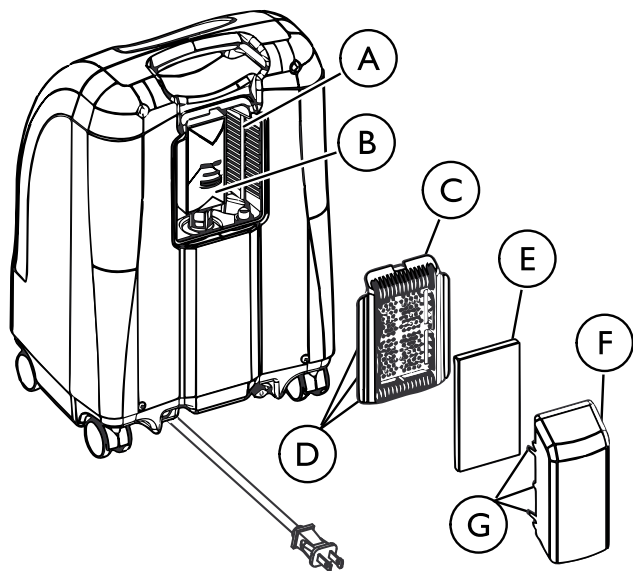
- Για να βεβαιωθείτε ότι ο συμπυκνωτής οξυγόνου και τα βοηθητικά εξαρτήματα λειτουργούν σωστά, τοποθετήστε το άκρο του ρινικού σωληνίσκου κάτω από την επιφάνεια ενός κατά το ήμισυ γεμάτου φλιτζανιού με νερό και αναζητήστε τις φυσαλίδες.
- Αν δεν υπάρχουν φυσαλίδες, ελέγξτε όλες τις συνδέσεις (συμπεριλαμβανομένης της φιάλης του υγραντήρα και των άλλων βοηθητικών εξαρτημάτων, αν υπάρχουν) και επαναλάβετε. Επικοινωνήστε με τον αντιπρόσωπό σας ή με τον πάροχο τεχνικής υποστήριξης άμεσα, αν εξακολουθούν να μην εμφανίζονται φυσαλίδες.

### Υγραντήρας μπουκάλι χωρίς καπάκι



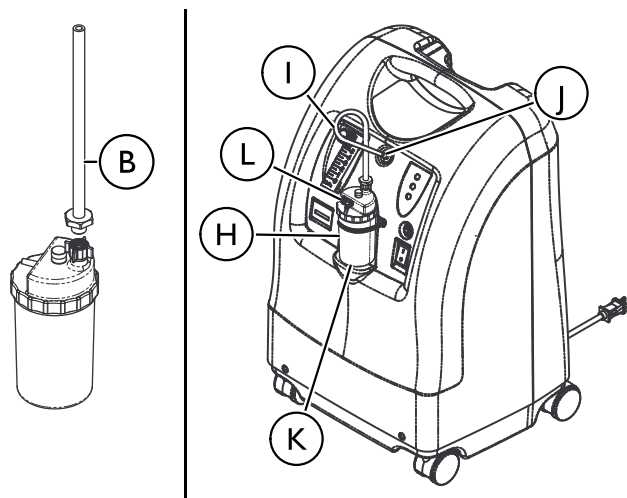
### Υγραντήρας μπουκάλι με βιδωτό





1. Αφαιρέστε το πώμα από τη φιάλη.
2. Γεμίστε τη φιάλη του υγραντήρα με βρασμένο νερό βρύσης ή εμφιαλωμένο νερό μέχρι το επίπεδο στάθμης που υποδεικνύεται από τον κατασκευαστή. Βράστε το νερό βρύσης για περίπου 10 λεπτά και αφήστε το να κρυώσει σε θερμοκρασία δωματίου πριν από τη χρήση.
3. Τοποθετήστε ένα καταβίδι με επίπεδη κεφαλή στην εγκοπή της πλάκας ③ της επάνω πλευράς της θύρας πρόσβασης φίλτρου Γ και ανοίξτε την απαλά.
4. Τραβήξτε την προς τα επάνω και αφαιρέστε τον προσαρμογέα της φιάλης του υγραντήρα Δ (δίπλα από το φίλτρο εισόδου).

5. Αντικαταστήστε τη θύρα πρόσβασης στο φίλτρο ④ και εγκαταστήστε τη λήψη αέρα ⑤ και εγκαταστήστε τη λήψη αέρα ⑥ στη θύρα πρόσβασης στο φίλτρο εισάγοντας τις έξι γλωπίδες ⑦ της λήψης αέρα στις έξι υποδοχές ⑧ που βρίσκονται στις πλευρές της θύρας πρόσβασης στο φίλτρο.



6. Προσαρμόστε τον προσαρμογέα φιάλης υγραντήρα στη φιάλη ④ υγραντήρα περιστρέφοντας το πτερυγωτό περικόχλιο στη φιάλη του υγραντήρα με φορά αντίστροφη από αυτή των δεικτών του ρολογιού μέχρι να ασφαλίσει.

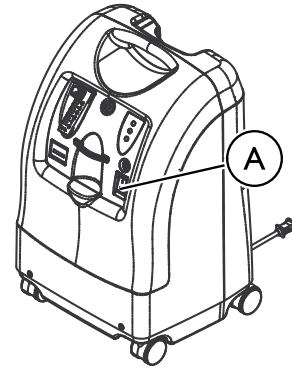
7. Επιλέξτε το σημείο όπου θα τοποθετήσετε τη διάταξη φιάλης υγραντήρα/προσαρμογέα:

- Κατά την τοποθέτηση της φιάλης υγραντήρα στην ειδική θήκη του συμπυκνωτή, συνδέστε το σωλήνα ① της φιάλης υγραντήρα/προσαρμογέα στο σύνδεσμο εξόδου οξυγόνου ① του συμπυκνωτή.
- Για να τοποθετήσετε τη φιάλη υγραντήρα σε κάποιο σημείο δίπλα στον ασθενή, τοποθετήστε τη διάταξη φιάλης υγραντήρα/προσαρμογέα στη θήκη φιάλης υγραντήρα ② (M1521, ανατρέξτε στην ενότητα Προαιρετικά εξαρτήματα) και έπειτα τοποθετήστε την σε μια επίπεδη επιφάνεια όσο το δυνατόν πιο κοντά στον ασθενή. Συνδέστε το σύνδεσμο της σωλήνωσης οξυγόνου (MS4301, ανατρέξτε στην ενότητα Προαιρετικά εξαρτήματα) στο άκρο του σωλήνα της φιάλης υγραντήρα/προσαρμογέα. Συνδέστε το ένα άκρο της σωλήνωσης παροχής οξυγόνου (MS4107 ή MS4121, ανατρέξτε στην ενότητα Προαιρετικά εξαρτήματα) στο ελεύθερο άκρο του συνδέσμου της σωλήνωσης οξυγόνου και έπειτα συνδέστε το άλλο άκρο στο σύνδεσμο εξόδου οξυγόνου του συμπυκνωτή.

**i** Όταν χρησιμοποιείτε συνδέσεις σωληνώσεων μήκους άνω των 2,1 μ. (7 ποδιών), τοποθετήστε τον υγραντήρα όσο το δυνατόν πιο κοντά στον ασθενή, ώστε να επιτυγχάνεται η μέγιστη δυνατή ύγρανση.

8. Συνδέστε το σωλήνα παροχής του ρινικού σωληνίσκου του ασθενή στην έξοδο της φιάλης υγραντήρα ③.
9. Αφού ολοκληρώσετε τη συναρμολόγηση, βεβαιωθείτε ότι παρέχεται οξυγόνο μέσω του ρινικού σωληνίσκου.

### 6.3.2 Ενεργοποίηση του συμπυκνωτή



1. Πατήστε το διακόπτη τροφοδοσίας ④ στη θέση ενεργοποίησης (On).

**i** Όλες οι ενδεικτικές λυχνίες του πίνακα και ο ηχητικός συναγερμός θα ενεργοποιηθούν για ένα δευτερόλεπτο, υποδεικνύοντας ότι η μονάδα λειτουργεί κανονικά.

### 6.3.3 Ρυθμός ροής

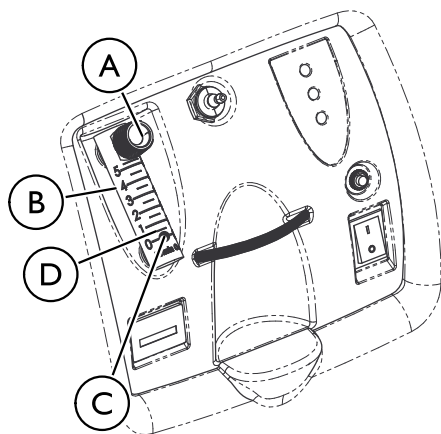


#### ΠΡΟΕΙΔΟΠΟΙΗΣΗ!

Κίνδυνος τραυματισμού

Για να αποφύγετε τραυματισμό από το περιττό οξυγόνο ή την έλλειψη οξυγόνου:

– ΜΗΝ αλλάζετε τη ρύθμιση L/min. στο μετρητή ροής, εκτός εάν έχει συνταγογραφηθεί αλλαγή από τον ιατρό ή το θεραπευτή σας.



Μην ρυθμίζετε τη ροή άνω του ΚΟΚΚΙΝΟΥ δακτυλίου. Η ροή οξυγόνου άνω των 5 λίτρων/λεπτό θα μειώσει τη συμπίκνωση οξυγόνου.

1. Γυρίστε το κουμπί **A** ρυθμού ροής στη ρύθμιση που έχει συνταγογραφηθεί από τον ιατρό ή το θεραπευτή σας.



Για να διαβάσετε σωστά το μετρητή ροής **B**, εντοπίστε τη συνταγογραφημένη γραμμή ρυθμού ροής στο μετρητή ροής. Κατόπιν, γυρίστε το κουμπί ροής έως ότου η σφαίρα **C** ανυψωθεί έως τη γραμμή. Στη συνέχεια, κεντράρετε τη σφαίρα στη γραμμή L/min που έχει συνταγογραφηθεί.

2. Εάν ο ρυθμός ροής του μετρητή ροής πέσει ποτέ κάτω από 0,5 L/min **D** για διάστημα μεγαλύτερο του ενός λεπτού, ο Συναγερμός πιθανής έμφραξης θα ενεργοποιηθεί. Αυτός είναι μια ταχεία σειρά ήχων μπιπ του ηχητικού συναγερμού. Ελέγξτε τη σωλήνωσή σας ή τα παρελκόμενα για τυχόν φραγμένη ή στρεβλωμένη σωλήνωση ή ελαττωματική φιάλη υγραντήρα. Μόλις η ονομαστική ροή αποκατασταθεί σε τιμή μεταξύ 0,5 L/min και 0,75 L/min, ο Συναγερμός πιθανής έμφραξης θα απενεργοποιηθεί.



Η χρήση ορισμένων βοηθητικών εξαρτημάτων όπως του παιδιατρικού μετρητή ροής PreciseRx™ και του συμπιεστή HomeFill θα έχει ως συνέπεια την απενεργοποίηση του Συναγερμού πιθανής έμφραξης.

### 6.3.4 Ένδειξη Καθαρότητας Οξυγόνου SensO<sub>2</sub>

Η λειτουργία αυτή παρακολουθεί την καθαρότητα του οξυγόνου που δημιουργείται από το συμπυκνωτή οξυγόνου. Εάν η καθαρότητα μειωθεί κάτω από τα εργοστασιακά προκαθορισμένα πρότυπα, θα ανάψουν οι ενδεικτικές λυχνίες στον πίνακα ελέγχου.

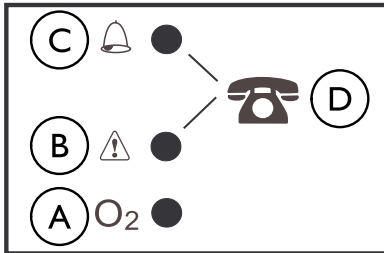
### 6.3.5 Αρχική εκκίνηση του συμπυκνωτή





Ο συμπυκνωτής μπορεί να χρησιμοποιηθεί κατά τη διάρκεια του χρόνου προθέρμανσης αρχικής έναρξης (περίπου 30 min.), ενώ αναμένετε για να φθάσει η καθαρότητα του O<sub>2</sub> σε μέγιστο επίπεδο.

Όταν η μονάδα τεθεί σε λειτουργία, θα ανάψει η ΠΡΑΣΙΝΗ ενδεικτική λυχνία (ΚΑΝΟΝΙΚΗ ΛΕΙΤΟΥΡΓΙΑ ΣΥΣΤΗΜΑΤΟΣ/ O<sub>2</sub> μεγαλύτερο από 85%). Μετά από 5 λεπτά, ο αισθητήρας οξυγόνου θα λειτουργεί κανονικά και θα ελέγξει τις ενδεικτικές λυχνίες, ανάλογα με τις τιμές συγκέντρωσης του οξυγόνου.

### 6.3.6 Επεξήγηση των Ενδεικτικών Λυχνιών Καθαρότητας Οξυγόνου



	Λυχνία	ΣΥΜΒΟΛΟ	Επεξήγηση
Ⓐ	ΠΡΑΣΙΝΗ λυχνία	(O <sub>2</sub> )	Κανονική λειτουργία
Ⓑ	ΚΙΤΡΙΝΗ λυχνία		Τηλεφωνήστε αμέσως στον προμηθευτή. Μπορείτε να συνεχίσετε να χρησιμοποιείτε το συμπυκνωτή, εκτός αν έχετε διαφορετικές οδηγίες από τον προμηθευτή σας. Βεβαιωθείτε ότι το εφεδρικό οξυγόνο βρίσκεται σε κοντινή απόσταση.
Ⓒ	ΚΟΚΚΙΝΗ λυχνία		Ολικός τερματισμός λειτουργίας της μονάδας. Επιστρέψτε αμέσως σε εφεδρική παροχή οξυγόνου και καλέστε τον προμηθευτή.

	Λυχνία	ΣΥΜΒΟΛΟ	Επεκήγηση
Ⓐ Ⓑ	ΠΡΑΣΙΝΗ λυχνία με ΚΙΤΡΙΝΗ λυχνία που αναβοσβήνει	(O <sub>2</sub> ) και 	Καλέστε αμέσως τον προμηθευτή. Δυσλειτουργία του αισθητήρα οξυγόνου. Μπορείτε να συνεχίσετε τη χρήση του συμπυκνωτή.
Ⓓ	—		Επικοινωνήστε με τον προμηθευτή

### 6.3.7 Μετρητής χρόνου που παρήλθε (Μετρητής ωρών)

Ο μετρητής ωρών εμφανίζει τον συνολικό αριθμό ωρών λειτουργίας της μονάδας. Ανατρέξτε στο Αναγνώριση εξαρτημάτων για συγκεκριμένη θέση.

## 7 ΣΥΝΤΗΡΗΣΗ

### 7.1 Καθαρισμός του Περιβλήματος



#### ΚΙΝΔΥΝΟΣ!

Κίνδυνος τραυματισμού ή ζημιάς  
Οι συμπυκνωτές οξυγόνου της Invacare έχουν σχεδιαστεί ειδικά, έτσι ώστε να ελαχιστοποιείται η τακτική προληπτική συντήρησή τους. Για να αποφύγετε τον κίνδυνο τραυματισμού ή βλάβης:

- Προληπτικές εργασίες συντήρησης στο συμπυκνωτή οξυγόνου πρέπει να εκτελούνται αποκλειστικά από εξειδικευμένο προσωπικό.
- ΜΗΝ αφαιρείτε το ερμάριο.



#### ΚΙΝΔΥΝΟΣ!

Κίνδυνος τραυματισμού ή ζημιάς  
Η εισροή υγρών θα προκαλέσει βλάβη στα εσωτερικά εξαρτήματα του συμπυκνωτή. Για να αποφύγετε την πρόκληση βλάβης ή τραυματισμού από ηλεκτροπληξία:

- Απενεργοποιήστε το συμπυκνωτή2 και αποσυνδέστε το καλώδιο τροφοδοσίας πριν από τον καθαρισμό.
- ΜΗΝ επιτρέψετε την εισροή καθαριστικού μέσα στα ανοίγματα εισόδου και εξόδου αέρα.
- ΜΗΝ ψεκάσετε και μην επαλείψετε οποιοδήποτε καθαριστικό απευθείας επάνω στο ερμάριο.
- ΜΗΝ πλύνετε το προϊόν.



#### ΠΡΟΣΟΧΗ!

Κίνδυνος πρόκλησης βλάβης  
Οι δυνατές χημικές ουσίες μπορεί να προκαλέσουν βλάβη στο συμπυκνωτή. Για να αποφύγετε την πρόκληση βλάβης:

- ΜΗΝ καθαρίσετε το ερμάριο, τη θήκη μεταφοράς και το φίλτρο με οινόπνευμα ή προϊόντα που έχουν ως βάση το οινόπνευμα (ισοπροπυλική αλκοόλη), συμπυκνωμένα προϊόντα που έχουν ως βάση το χλώριο (αιθυλενοχλωρίδιο) και προϊόντα που έχουν ως βάση το πετρέλαιο (Pine-Sol®, Lestoil®), ή άλλες δυνατές χημικές ουσίες. Να χρησιμοποιείτε μόνο ήπια υγρά απορρυπαντικά πιάτων (π.χ. Dawn™).



Ως ελάχιστη απαίτηση, ΠΡΕΠΕΙ να εκτελείτε την προληπτική συντήρηση σύμφωνα με τις κατευθυντήριες οδηγίες του ιστορικού συντήρησης. Σε χώρους με υψηλά επίπεδα σκόνης ή αιθάλης, ενδέχεται να χρειάζεται η συντήρηση να γίνεται πιο συχνά.

Κατά διαστήματα, να καθαρίζετε το ερμάριο του συμπυκνωτή ως εξής:

1. Χρησιμοποιήστε ένα νωπό πανί ή σφουγγάρι και ήπιο απορρυπαντικό, π.χ. το υγρό απορρυπαντικό πιάτων Dawn™, για να καθαρίσετε προσεκτικά το εξωτερικό περίβλημα.
2. Αφήστε το συμπυκνωτή να στεγνώσει μόνος του ή σκουπίστε τον με μια στεγνή πετσέτα, πριν τον θέσετε σε λειτουργία.



## 7.2 Καθαρισμός του φίλτρου περιβλήματος



### ΠΡΟΣΟΧΗ!

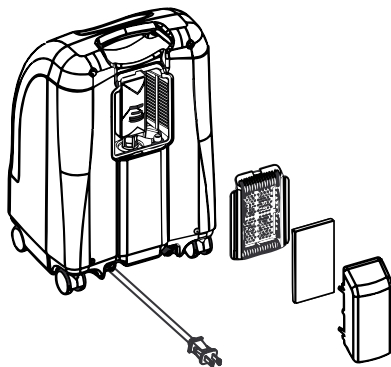
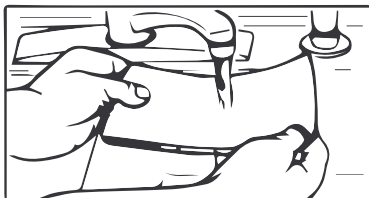
Κίνδυνος πρόκλησης βλάβης

Για να αποφύγετε τον κίνδυνο βλάβης λόγω έμφραξης:

– ΜΗ λειτουργείτε το συμπυκνωτή χωρίς το φίλτρο εισαγωγής αέρα.



Υπάρχει ένα φίλτρο ερμαρίου στην πίσω πλευρά του ερμαρίου.




1. Αφαιρείτε και καθαρίζετε το φίλτρο όπως απαιτείται.




Στις περιβαλλοντικές συνθήκες για τις οποίες μπορεί να απαιτείται συχνότερος έλεγχος και καθαρισμός του φίλτρου περιλαμβάνονται, χωρίς να περιορίζονται σε αυτές: υψηλά επίπεδα σκόνης, παράγοντες μόλυνσης αέρα, κ.λπ.

2. Καθαρίστε το φίλτρο περίβλημα με μια ηλεκτρική σκούπα ή πλύντε με ένα ήπιο υγρό απορρυπαντικό πιάτων (όπως Dawn™) και νερό. Ξεπλύνετε με άφθονο νερό.
3. Στεγνώστε καλά το φίλτρο και ελέγξτε εάν έχει ξεφτίσει, τριφτεί ή σχιστεί. Εάν υπάρχει οποιαδήποτε βλάβη, αντικαταστήστε το φίλτρο.
4. Επανεγκατάσταση του φίλτρου ερμαρίου.

### 7.3 Καθαρισμός και θερμική απολύμανση υγραντήρα

 Πρέπει να καθαρίζετε και να απολυμαίνετε τον υγραντήρα οξυγόνου καθημερινά, προκειμένου να περιορίζονται οι ασβεστολιθικές εναποθέσεις και να εξαλείφονται οι πιθανές βακτηριδιακές μολύνσεις. Ακολουθήστε τις οδηγίες του κατασκευαστή. Εάν δεν παρέχονται, ακολουθήστε τα παρακάτω βήματα:

1. Πλύνετε τον υγραντήρα με σαπουνόνερο και ξεπλύνετε τον με ένα διάλυμα που αποτελείται από δέκα μέρη νερό και ένα μέρος ξύδι.
2. Ξεπλύνετε καλά με ζεστό νερό.
3. Στεγνώστε τον προσεκτικά με αέρα.

 Για να περιορίσετε την ανάπτυξη βακτηρίων, να στεγνώνετε καλά με αέρα τον υγραντήρα μετά τον καθαρισμό του, όταν δεν χρησιμοποιείται. Ανατρέξτε στην ενότητα Εγκατάσταση για τη χρήση.

### 7.4 Καθαρισμός και απολύμανση για χρήση από άλλον ασθενή



#### ΠΡΟΕΙΔΟΠΟΙΗΣΗ!

Κίνδυνος τραυματισμού ή ζημιάς  
Για να αποφύγετε τον κίνδυνο τραυματισμού από μόλυνση ή βλάβης του συμπυκνωτή:  
– Ο καθαρισμός και η απολύμανση του συμπυκνωτή οξυγόνου και των εξαρτημάτων του πριν από τη χρήση του από άλλον ασθενή πρέπει να γίνεται μόνο από εξειδικευμένο προσωπικό.



Ακολουθήστε τις παρακάτω οδηγίες για να αποφύγετε την πιθανή μετάδοση παθογόνων μικροοργανισμών μεταξύ ασθενών λόγω μόλυνσης των επιμέρους στοιχείων ή των εξαρτημάτων. Επίσης, σε αυτό το σημείο πρέπει να γίνεται προληπτική συντήρηση, εάν είναι απαραίτητο.

1. Πετάξτε και αντικαταστήστε όλα τα εξαρτήματα που χρησιμοποιούνται από τον ασθενή και δεν είναι κατάλληλα για χρήση από πολλούς ασθενείς, συμπεριλαμβανομένων ενδεικτικά των εξής:
  - Ρινικός σωληνίσκος και σωλήνωση
  - Μάσκα
  - Υγραντήρας
2. Εκτελέστε τις εργασίες συντήρησης που περιγράφονται στο παρόν εγχειρίδιο και τα σημεία της Λίστας ελέγχου προληπτικών εργασιών συντήρησης.
3. Ελέγξτε το συμπυκνωτή για πιθανές εξωτερικές βλάβες ή ενδείξεις που υποδεικνύουν την ανάγκη συντήρησης ή επισκευής.
4. Βεβαιωθείτε ότι ο συμπυκνωτής και όλες οι ειδοποιήσεις λειτουργούν κανονικά.
5. Πριν επανασυσκευάσετε και μεταφέρετε τη συσκευή σε νέο ασθενή, βεβαιωθείτε ότι έχετε συμπεριλάβει στη συσκευασία το συμπυκνωτή, το καλώδιο τροφοδοσίας, την είσοδο αέρα, τις οδηγίες συναρμολόγησης, τον υγραντήρα, το σωληνίσκο, τις ετικέτες και το εγχειρίδιο χρήσης.


## 7.5 Λίστα ελέγχου προληπτικών εργασιών συντήρησης

ΑΡ. ΜΟΝΤΕΛΟΥ:

ΑΡ. ΣΕΙΡΑΣ:

ΣΕ ΚΑΘΕ ΕΠΙΘΕΩΡΗΣΗ							
Καταγραφή ημερομηνίας σέρβις							
Καταγραφή ωρών που παρήλθαν στο μετρητή ωρών							
Καθαρίστε τα φίλτρα ερμαρίου							
Έλεγχος Συνταγογραφημένου Ρυθμού Ροής L/min							
ΚΑΤΑ ΤΗ ΔΙΑΡΚΕΙΑ ΤΟΥ ΠΡΟΓΡΑΜΜΑΤΟΣ ΠΡΟΛΗΠΤΙΚΗΣ ΣΥΝΤΗΡΗΣΗΣ Ή ΜΕΤΑΞΥ ΑΣΘΕΝΩΝ							
ΜΟΝΑΔΕΣ ΜΕ SensO <sub>2</sub> — ΚΑΘΕ 26280 ΩΡΕΣ							
Έλεγχος συμπίκνωσης οξυγόνου*							
Καθαρίστε/αντικαταστήστε τα φίλτρα ερμαρίου							
Έλεγχος/αντικατάσταση φίλτρου εξόδου HEPA*							

Έλεγχος/αντικατάσταση φίλτρου εισόδου συμπιεστή*							
Ελέγξτε Απώλεια ισχύος Συναγερμός							

 Οι 26.820 ώρες αντιστοιχούν σε χρήση 24 ωρών την ημέρα, 7 ημέρες την εβδομάδα για διάστημα 3 ετών.

\*Πρέπει να γίνεται από τον προμηθευτή ή εξειδικευμένο τεχνικό. Ανατρέξτε στο εγχειρίδιο συντήρησης.

## 8 μετά από χρήση

### 8.1 Πληροφορίες σχετικά με την ανακύκλωση

Το παρόν προϊόν παρέχεται από περιβαλλοντικά συνειδητοποιημένο κατασκευαστή που συμμορφώνεται με την Οδηγία 2012/19/ΕΕ σχετικά με τα Απόβλητα Ηλεκτρολογικού και Ηλεκτρονικού Εξοπλισμού (WEEE). Το προϊόν αυτό μπορεί να περιέχει ουσίες οι οποίες ενδέχεται να είναι επιβλαβείς για το περιβάλλον σε περίπτωση απόρριψης σε ακατάλληλα σημεία (χωματερές) σύμφωνα με τη νομοθεσία.

Οφείλετε να τηρείτε τους τοπικούς κανονισμούς και τα προγράμματα ανακύκλωσης που αφορούν την απόρριψη του συμπυκνωτή ή των εξαρτημάτων που χρησιμοποιούνται συνήθως κατά τη λειτουργία του. Ο συμπυκνωτής δεν παράγει απόβλητα ή υπολείμματα κατά τη λειτουργία του.

- ΜΗΝ απορρίπτετε το συμπυκνωτή μέσω της συνήθους διαδικασίας απόρριψης αποβλήτων.
- Η διαχείριση των εξαρτημάτων που δεν αποτελούν μέρος του συμπυκνωτή ΠΡΕΠΕΙ να γίνεται σύμφωνα με τη σήμανση απόρριψης του προϊόντος.
- ΜΗΝ απορρίψετε την εσωτερική ή τη βοηθητική μπαταρία. Οι μπαταρίες πρέπει να επιστρέφονται στον αντιπρόσωπο/προμηθευτή.

Η Invacare® κάνει συνεχείς προσπάθειες για να διασφαλίσει ότι η επίδραση της εταιρείας στο περιβάλλον, σε τοπικό και παγκόσμιο επίπεδο, μειώνεται στο ελάχιστο. Συμμορφωνόμαστε με την τρέχουσα περιβαλλοντική νομοθεσία [π.χ. τις οδηγίες σχετικά με τα Απόβλητα Ηλεκτρολογικού και Ηλεκτρονικού Εξοπλισμού (WEEE) και τον Περιορισμό στη χρήση ορισμένων Επικίνδυνων ουσιών στα Είδη Ηλεκτρικού και Ηλεκτρονικού

Εξοπλισμού (RoHS)]. Χρησιμοποιούμε αποκλειστικά υλικά και εξαρτήματα που είναι συμβατά με την οδηγία REACH.

### 8.2 Φυσική φθορά

Η Invacare διατηρεί το δικαίωμα να αιτηθεί την επιστροφή οποιουδήποτε αντικειμένου διαθέτει ενδεχόμενο ελάττωμα λόγω κατασκευής. Ανατρέξτε στην Εγγύηση που συνόδευε το προϊόν κατά την αποστολή του για συγκεκριμένες πληροφορίες εγγύησης.

Ανατρέξτε στο Εγχειρίδιο χρήσης για τον ορθό προγραμματισμό των προληπτικών εργασιών συντήρησης και τη χρήση του προϊόντος.

Αυτή είναι μια απλή γενική οδηγία και δεν περιλαμβάνει αντικείμενα που φέρουν βλάβη λόγω κακής χρήσης. Η ωφέλιμη ζωή εξαρτάται από πολλούς παράγοντες.

Τα στοιχεία και εξαρτήματα φυσικής φθοράς για το προϊόν αυτό αναγράφονται στην παρακάτω λίστα.

- Όλοι οι τύποι φίλτρων
- Όλοι οι τύποι σωληνώσεων
- Όλοι οι τύποι μπαταριών, συμπεριλαμβανομένων των μπαταριών μολύβδου/λιθίου, κερματοειδών στοιχείων (τύπου ρολογιού) και τύπου πηκτώματος (6 μήνες)




Το εξάρτημα διήθησης αποτελείται από ένα πορώδες υλικό φιλτραρίσματος και συγκαταλέγεται στα εξαρτήματα που φθείρονται. Στους παράγοντες που θα μπορούσαν να επηρεάσουν τη διάρκεια της ζωής του υλικού του εξαρτήματος διήθησης συγκαταλέγεται η υγρασία, η θερμοκρασία, τα σωματίδια, τα μολυσματικά σωματίδια του αέρα, η εισαγωγή αέρα, οι δονήσεις και άλλες περιβαλλοντικές συνθήκες.

## 9 ΟΔΗΓΟΣ ΑΝΤΙΜΕΤΩΠΙΣΗΣ ΠΡΟΒΛΗΜΑΤΩΝ

### 9.1 ΟΔΗΓΟΣ ΑΝΤΙΜΕΤΩΠΙΣΗΣ ΠΡΟΒΛΗΜΑΤΩΝ

ΣΥΜΠΤΩΜΑ	ΠΙΘΑΝΗ ΑΙΤΙΑ	ΛΥΣΗ
<p>Συναγερμός:</p> <p>Σύντομοι ήχοι μπιπ, μακρά παύση</p> <p>Ο συμπυκνωτής δε λειτουργεί, ανοίξτε το διακόπτη ρεύματος.</p> <p>Μπιπ.....Μπιπ.....</p>	<p>Διακοπή κυρίου ρεύματος:</p> <ol style="list-style-type: none"> <li>1. Το καλώδιο ρεύματος ΔΕΝ είναι συνδεδεμένο στην πρίζα.</li> <li>2. Η πρίζα ρεύματος δεν έχει ρεύμα.</li> <li>3. Ο ασφαλειοδιακόπτης έχει “πέσει”.</li> </ol>	<ol style="list-style-type: none"> <li>1. Εισαγάγετε το φως στην πρίζα.</li> <li>2. Επιθεωρήστε τους ασφαλειοδιακόπτες ή τις ασφάλειες του σπιτιού. Εάν το πρόβλημα εμφανίζεται πάλι, χρησιμοποιήστε διαφορετική πρίζα.</li> <li>3. Ωθήστε/κάντε επαναφορά στον ασφαλειοδιακόπτη. Αν παρουσιαστεί πρόβλημα, τηλεφωνήστε στον πάροχο τεχνικής υποστήριξης.</li> </ol>
<p>Συναγερμός:</p> <p>Συνεχής</p> <p>Ο συμπυκνωτής δε λειτουργεί, ανοίξτε το διακόπτη ρεύματος.</p> <p>Μακρός ήχος μπιπ....</p>	<p>Βλάβη του συστήματος:</p> <ol style="list-style-type: none"> <li>1. Υπερθέρμανση της μονάδας λόγω φραγμένου στομίου εισροής αέρα.</li> <li>2. Ανεπαρκής παροχή ισχύος στην πρίζα ρεύματος.</li> <li>3. Απαιτούνται εσωτερικές επισκευές.</li> </ol>	<ol style="list-style-type: none"> <li>1. <ol style="list-style-type: none"> <li>a. Αφαιρέστε και καθαρίστε τα φίλτρα του περιβλήματος.</li> <li>b. Μετακινήστε το συμπυκνωτή οξυγόνου σε απόσταση τουλάχιστον 30,5 cm (12 in) μακριά από τοίχους, κουρτίνες ή έπιπλα.</li> </ol> </li> <li>2. ΜΗΝ χρησιμοποιείτε καλώδια προέκτασης. Μετακινήστε τη συσκευή σε άλλη ηλεκτρική πρίζα ή σε άλλο ηλεκτρικό κύκλωμα.</li> <li>3. Επικοινωνήστε με το άτομο παροχής σέρβις.</li> </ol>


ΣΥΜΠΤΩΜΑ	ΠΙΘΑΝΗ ΑΙΤΙΑ	ΛΥΣΗ
<p>Συναγεραμός:</p> <p>Η ΚΙΤΡΙΝΗ ή η ΚΟΚΚΙΝΗ ενδεικτική λυχνία είναι αναμμένη.</p> <p>Ειδοποίηση: Συνεχώς αναμμένη ΚΟΚΚΙΝΗ λυχνία</p> <p>* Ισχύει μόνο στα IRC5PO2AW &amp; IRC5PO2VAW</p>	<p>Βλάβη του συστήματος:</p> <ol style="list-style-type: none"> <li>1. Χαμηλή καθαρότητα οξυγόνου.*</li> <li>2. Στρέβλωση ή απόφραξη της σωλήνωσης, της κάνουλας ή του υγραντήρα.*</li> <li>3. Ο μετρητής ροής είναι ρυθμισμένος στα 0,5 L/min.*</li> <li>4. Υπερθέρμανση της μονάδας λόγω φραγμένου στομίου εισροής αέρα.</li> <li>5. Ανεπαρκής παροχή ισχύος στην πρίζα ρεύματος.</li> <li>6. Απαιτούνται εσωτερικές επισκευές.</li> </ol>	<ol style="list-style-type: none"> <li>1. Καθαρίστε ή αντικαταστήστε τα φίλτρα.</li> <li>2. Επιθεωρήστε για τυχόν στρεβλώσεις ή αποφράξεις. Διορθώστε, καθαρίστε ή αντικαταστήστε το εξάρτημα. Μόλις διορθωθεί, διακόψτε τη λειτουργία για 60 δευτερόλεπτα και κατόπιν θέστε πάλι σε λειτουργία. Βεβαιωθείτε ότι ο μετρητής ροής έχει ρυθμιστεί στο 1,0 λίτρο/λεπτό ή παραπάνω. Ανατρέξτε στις Τυπικές παραμέτρους του προϊόντος.</li> <li>3. <ol style="list-style-type: none"> <li>a. Αφαιρέστε και καθαρίστε τα φίλτρα του περιβλήματος.</li> <li>b. Μετακινήστε το συμπυκνωτή σε απόσταση τουλάχιστον 30,5 cm (12 in) μακριά από τοίχους, κουρτίνες και έπιπλα.</li> </ol> </li> <li>4. ΜΗΝ χρησιμοποιείτε καλώδια προέκτασης. Μετακινήστε τη συσκευή σε άλλη ηλεκτρική πρίζα ή σε άλλο ηλεκτρικό κύκλωμα.</li> <li>5. Επικοινωνήστε με το άτομο παροχής σέρβις.</li> </ol>
<p>ΠΡΑΣΙΝΗ λυχνία με ΚΙΤΡΙΝΗ λυχνία που αναβοσβήνει.</p>	<ol style="list-style-type: none"> <li>1. Απαιτούνται εσωτερικές επισκευές.</li> </ol>	<ol style="list-style-type: none"> <li>1. Επικοινωνήστε με το άτομο παροχής σέρβις.</li> </ol>

ΣΥΜΠΤΩΜΑ	ΠΙΘΑΝΗ ΑΙΤΙΑ	ΛΥΣΗ
<p>Συναγερμός:</p> <p>Ταχυσ</p> <p>Μπιπ...Μπιπ...</p> <p>Μπιπ...Μπιπ</p>	<p>Συναγερμός πιθανής έμφραξης</p> <ol style="list-style-type: none"> <li>1. Πιθανή εσωτερική έμφραξη της διόδου του οξυγόνου. Στρέβλωση ή απόφραξη της σωλήνωσης, της κάνουλας ή του υγρανήρα.</li> <li>2. Ο μετρητής ροής είναι ρυθμισμένος στα 0,5 L/min</li> </ol>	<ol style="list-style-type: none"> <li>1. Επιθεωρήστε για τυχόν στρεβλώσεις ή αποφράξεις. Διορθώστε, καθαρίστε ή αντικαταστήστε το εξάρτημα. Μόλις διορθωθεί, διακόψτε τη λειτουργία για 60 δευτερόλεπτα και κατόπιν θέστε πάλι σε λειτουργία.</li> <li>2. Δεν συνιστώνται ρυθμοί ροής μικρότεροι από 1 L/min</li> </ol> <p> Η χρήση του παιδιατρικού μετρητή ροής θα έχει ως συνέπεια την απενεργοποίηση του Συναγερμού πιθανής έμφραξης.</p>



## 10 Τεχνικά Δεδομένα

### 10.1 ΤΥΠΙΚΕΣ ΠΑΡΑΜΕΤΡΟΙ ΠΡΟΪΟΝΤΟΣ

Απαιτήσεις ηλεκτρικού ρεύματος:	230 VAC + 10, -15% (253 VAC/195.5 VAC), 50 Hz
Ονομαστική είσοδος ρεύματος:	1,5 A
Επίπεδο ήχου:	40 dBA κατά μέσο όρο
Υψόμετρο:	Έως τα 1828 μέτρα (6.000 πόδια) πάνω από τη στάθμη της θάλασσας, χωρίς μείωση των επιπέδων συγκέντρωσης. Δε συνιστάται για χρήση πάνω από τα 1828 μέτρα (6.000 πόδια) Εύρος τιμών ατμοσφαιρικής πίεσης: 101,33 kPa - 81,22 kPa
Επίπεδα Συγκέντρωσης Παραγόμενου Οξυγόνου:	87% έως 95,6% σε 0,5 έως 5 L/min 93% ± 3% σε 2 L/min  Τα επίπεδα συμπύκνωσης επιτεύχθηκαν μετά την αρχική περίοδο προθέρμανσης (περίπου 30 λεπτά)
Μέγιστη πίεση στομίου εξόδου:	34,5 kPa ± 3,45 kPa (5 psi ± 0,5 psi)
Εύρος ροής:	0,5 έως 5 L/min (μέγιστο). Για συχνότητα ροής μικρότερη από 1 L/min, συστήνουμε τη χρήση του Παιδιατρικού Εξαρτήματος Μετρητή Ροής της Invacare (IRCPF16AW).
Συναγερμός πιθανής έμφραξης:	0 L/min έως 0,5 L/min Ο συμπυκνωτής ανιχνεύει μία κατάσταση που μπορεί να υποδεικνύει πιθανή έμφραξη της εξόδου οξυγόνου. Συναγερμός γρήγορων χαρακτηριστικών ήχων (αυτός ο συναγερμός απενεργοποιείται όταν είναι συνδεδεμένα βοηθητικά εξαρτήματα). Μπορεί να συνδέεται με τη ρύθμιση ροής 0,5 L/min ή χαμηλότερου επιπέδου.

Κατανάλωση ρεύματος:	Perfecto <sub>2</sub> AW - 300 W @ 5 L/min, 280 W @ 3 L/min Perfecto <sub>2</sub> VAW - 320 W @ 5 L/min
Μηχανισμός ανακούφισης πίεσης σε λειτουργία στα:	241 kPa ± 24,1 kPa (35 psi ± 3,5 psi)
Αλλαγή στη μέγιστη συνιστώμενη ροή όταν εφαρμόζεται ανάστροφη πίεση 7k Pa:	0,7 L/min
Φίλτρα:	Περιβλημα, HEPA στομίου εξόδου και στόμιο εισόδου συμπιεστή
Σύστημα ασφάλειας:	Τερματισμός λειτουργίας λόγω υπερφόρτωσης ρεύματος ή υπέρτασης γραμμής. Τερματισμός λειτουργίας συμπιεστή λόγω υψηλής θερμοκρασίας. Τερματισμός λειτουργίας συμπυκνωτή λόγω συναγερμού υψηλής πίεσης. Τερματισμός λειτουργίας συμπυκνωτή λόγω συναγερμού χαμηλής πίεσης. Συναγερμός διακοπής ρεύματος χωρίς μπαταρία. Συναγερμός πιθανής έκφραξης συστήματος οξυγόνου SensO <sub>2</sub> .
Πλάτος:	38,1 cm ± 1 cm
Ύψος:	58,4 cm ± 1 cm
Βάθος:	30,5 cm ± 1 cm
Βάρος:	Perfecto <sub>2</sub> AW μοντέλα - 20,5 kg ± 1 kg (45 lbs ± 2 lbs) Perfecto <sub>2</sub> VAW μοντέλα - 18,1 kg ± 1 kg (40 lbs ± 2 lbs)
Βάρος αποστολής:	Perfecto <sub>2</sub> AW μοντέλα - 22,7 kg ± 1 kg (50 lbs ± 2 lbs) Perfecto <sub>2</sub> VAW μοντέλα - 20,4 kg ± 1 kg (45 lbs ± 2 lbs)
Συνθήκες λειτουργίας Θερμοκρασία:	10 °C - 35 °C (50 °F - 95 °F) σε σχετική υγρασία 20-60%

Περίβλημα:	Ανθεκτικό στις κρούσεις και επιβραδυντικό στην πυρκαγιά περίβλημα που συμμορφώνεται με το UL 94-V0.
Χωρίς AP/APG	Ακατάλληλο για χρήση παρουσία εύφλεκτου αναισθητικού μείγματος.
Λίστα προτύπων και κανονισμών:	IEC/EN60601-1, A1, A2 IEC/EN60601-1-2 IEC/EN61000-3-2 IEC/EN61000-3-3, ISO8359 MDD 93/42/EEC, Annex I και IX
Μοντέλα με σήμανση CE	IRC5PO2AW/IRC5PO2VAW
Ηλεκτρικό ρεύμα:	Χωρίς καλώδια προέκτασης.
Τοποθέτηση:	Όχι πλησιέστερα από τα 30,5 εκ. (12 ίντσες) σε οποιονδήποτε τοίχο, έπιπλο, κουρτίνες ή παρόμοιες επιφάνειες, ώστε να διασφαλίζεται η επαρκής ροή του αέρα. Να αποφεύγετε τα χαλιά με μεγάλο πέλος και τις θερμάστρες, τα καλοριφέρ ή τις γρίλιες εκροής θερμού αέρα. Να τοποθετείται μόνο στο πάτωμα. Δεν επιτρέπεται η χρήση σε μικρούς και κλειστούς χώρους (παράδειγμα: ντουλάπες).
Σωλήνωση:	Κάνουλα 2,1 m (7 ft) με σωλήνωση με προστασία από σύνθλιψη μέγιστου μήκους 15 m (50 ft) (ΜΗΝ συσφιγγετε).
Χρόνος λειτουργίας:	Έως 24 ώρες την ημέρα
Συνιστώμενη θερμοκρασία φύλαξης και αποστολής:	-29 °C έως 65 °C (-20 °F έως 150 °F) σε σχετική υγρασία 15-95%

Περιβάλλον:	Χωρίς καπνό και αιθάλη. Σε μη περιορισμένους χώρους (Παράδειγμα: Όχι σε ντουλάπια).
Ελάχιστος χρόνος λειτουργίας:	30 λεπτά

Notes

# Sommario

Il presente manuale deve essere fornito all'utilizzatore del prodotto.  
Leggere il presente manuale e conservarlo per eventuali consultazioni successive, PRIMA di utilizzare il prodotto.

<b>I Generale</b>	<b>.142</b>
1.1 Simboli	.142
1.2 Uso previsto	.144
1.3 Descrizione	.144
1.4 Controindicazioni	.145
<b>2 Sicurezza</b>	<b>.146</b>
2.1 Posizione delle etichette	.146
2.2 Linee guida generali	.147
2.3 Interferenza di radiofrequenza	.150
<b>3 Componenti</b>	<b>.151</b>
3.1 Identificazione dei componenti	.151
<b>4 Accessori</b>	<b>.153</b>
4.1 Accessori opzionali	.153
<b>5 Messa in servizio</b>	<b>.154</b>
5.1 Disimballaggio	.154
5.2 Ispezione	.154
5.3 Conservazione	.154
<b>6 Uso</b>	<b>.155</b>
6.1 Introduzione	.155
6.2 Scelta di una ubicazione	.155
6.3 Installazione del concentratore	.156
6.3.1 Installazione dell'umidificatore	.156
6.3.2 Accensione del concentratore	.159
6.3.3 Velocità di flusso	.160
6.3.4 Indicatori di purezza dell'ossigeno SensO <sub>2</sub>	.160

6.3.5 Avvio iniziale del concentratore	.160
6.3.6 Significato delle spie dell'indicatore di purezza dell'ossigeno	.161
6.3.7 Misuratore tempo trascorso (misuratore ore)	.161

<b>7 Manutenzione</b>	<b>.162</b>
7.1 Pulizia dell'alloggiamento	.162
7.2 Pulizia del filtro dell'alloggiamento	.163
7.3 Pulizia e disinfezione termica dell'umidificatore	.164
7.4 Pulizia e disinfezione da un paziente all'altro	.164
7.5 Lista di controllo per la manutenzione preventiva	.165
<b>8 Dopo l'utilizzo</b>	<b>.166</b>
8.1 Informazioni per il riciclo	.166
8.2 Consumo e usura	.166
<b>9 Risoluzione guasti</b>	<b>.167</b>
9.1 Risoluzione guasti	.167
<b>10 Dati tecnici</b>	<b>.169</b>
10.1 Parametri tipici del prodotto	.169

# I Generale

## I.1 Simboli

Le segnalazioni impiegate in questo manuale si riferiscono a situazioni o procedure pericolose che potrebbero causare lesioni personali o danni materiali. Per una definizione delle segnalazioni fare riferimento alla seguente tabella.



### PERICOLO!

– Pericolo indica una situazione di pericolo imminente che, se non evitata, provoca il decesso o lesioni gravi.



### ATTENZIONE!

– Avvertenza indica una situazione di potenziale pericolo che, se non evitata, potrebbe provocare il decesso o lesioni gravi.



### AVVERTENZA!

– Attenzione indica una situazione di potenziale pericolo che, se non evitata, può provocare danni alle cose e/o lesioni non gravi.



Indica consigli utili, raccomandazioni e informazioni per un uso efficace e senza inconvenienti.

## Simboli nella documentazione



Leggere il manuale



Non fumare



Vietato utilizzare fiamme libere



Classe II, doppio isolamento



Corrente alternata



Apparecchiatura di tipo BF



Riciclaggio



NON smaltire il prodotto come un normale rifiuto domestico



serio pericolo di tipo elettrico



Mantenere asciutto



Rappresentante CE



Produttore



Chiamare fornitore



Questo prodotto è conforme alla direttiva 93/42/CEE relativa ai dispositivi medicali.

La data di lancio di questo prodotto è indicata nella dichiarazione di conformità CE.

Per maggiori informazioni sui marchi CE, fare riferimento a Parametri tipici del prodotto.

### Simboli sul prodotto





In funzione



Non in funzione

### Indicatori O<sub>2</sub>

Simboli	Purezza O <sub>2</sub>	Spie luminose (LED)
O <sub>2</sub>	SISTEMA OK O <sub>2</sub> superiore a 85%	Spia luminosa VERDE
	O <sub>2</sub> tra 73% e 85%	Spia luminosa GIALLA A. Giallo fisso B. Giallo lampeggiante Errore sensore Contattare un tecnico qualificato
	ERRORE SISTEMA O <sub>2</sub> inferiore a 73%	Spia ROSSA Allarme sonoro continuo Compressore Sieve-GARD™ Arresto



## 1.2 Uso previsto

Il concentratore di ossigeno è stato progettato per uso individuale da parte dei pazienti con malattie respiratorie che necessitano di ossigeno supplementare. Il dispositivo non va considerato come un supporto o un sostegno vitale.



### **PERICOLO!**

#### **Rischio di lesioni o morte**

Il prodotto non deve essere usato come integrazione d'ossigeno e non va considerato come un dispositivo di supporto o di sostegno vitale. Usare il prodotto **SOLTANTO** se il paziente è in grado di respirare spontaneamente, di inspirare ed espirare senza l'uso della macchina.

- **NON** usare il prodotto in parallelo o in serie con altri concentratori di ossigeno o dispositivi per ossigenoterapie.



### **PERICOLO!**

#### **Rischio di lesioni o morte**

A seconda della propria condizione medica, i pazienti con portate maggiori di 5 l/m possono essere più a rischio di lesioni gravi o decesso nel caso di guasto.

- Discutere **SEMPRE** di questo maggiore rischio con il proprio fornitore di prodotti medicali **PRIMA** di utilizzare questo prodotto se è stata prescritta una portata maggiore di 5 l/m.



### **PERICOLO!**

#### **Rischio di lesioni o morte**

Sebbene Invacare si impegni a produrre il migliore concentratore di ossigeno disponibile sul mercato oggi, questo concentratore può non riuscire a produrre ossigeno a causa di mancanza di corrente o malfunzionamento del dispositivo.

- Avere **SEMPRE** una fonte di emergenza di ossigeno prontamente disponibile.
- Nel caso in cui il concentratore non riesca a produrre ossigeno, genererà un breve allarme per segnalare al paziente di passare alla fonte di emergenza di ossigeno. Per maggiori informazioni, fare riferimento a Guida alla soluzione dei problemi.



### **ATTENZIONE!**

#### **Rischio di lesioni o danni**

L'utilizzo di questo prodotto al di fuori dell'uso previsto e dei parametri indicati non è stato testato e può essere causa di danni o perdita di funzionalità del prodotto, o di lesioni personali.

- **NON** utilizzare questo prodotto in qualsiasi altro modo diverso da quanto descritto nei parametri del prodotto stesso e nelle sezioni relative all'uso previsto di questo manuale.

## 1.3 Descrizione

Il concentratore Perfecto<sub>2</sub> Invacare viene utilizzato da pazienti con malattie respiratorie che necessitano di ossigeno supplementare. Il dispositivo non va considerato come un supporto o un sostegno vitale.

Il livello di concentrazione dell'ossigeno del gas erogato è compreso fra l'87% e il 95,6%. L'ossigeno viene somministrato al paziente mediante una cannula nasale.

Il concentratore Perfecto<sub>2</sub> Invacare utilizza un setaccio molecolare e un processo di assorbimento delle oscillazioni di pressione per produrre l'ossigeno erogato. L'aria dell'ambiente circostante entra nel dispositivo, viene filtrata e quindi compressa. Quest'aria compressa viene successivamente indirizzata verso uno dei due setacci di assorbimento dell'azoto.

L'ossigeno concentrato fuoriesce dal lato opposto del setaccio attivo e viene convogliato in un serbatoio di ossigeno da cui viene somministrato al paziente.

Il concentratore Perfecto<sub>2</sub> Invacare può essere utilizzato dal paziente in ambiente domestico o in una struttura ospedaliera. Il dispositivo funziona con un'alimentazione nominale di 230 V CA/50 Hertz.



Entrambi i modelli di concentratore (IRC5PO2AW e IRC5PO2VAW) hanno parametri operativi identici ad eccezione del peso del prodotto e del consumo elettrico. Fare riferimento a Parametri tipici del prodotto.

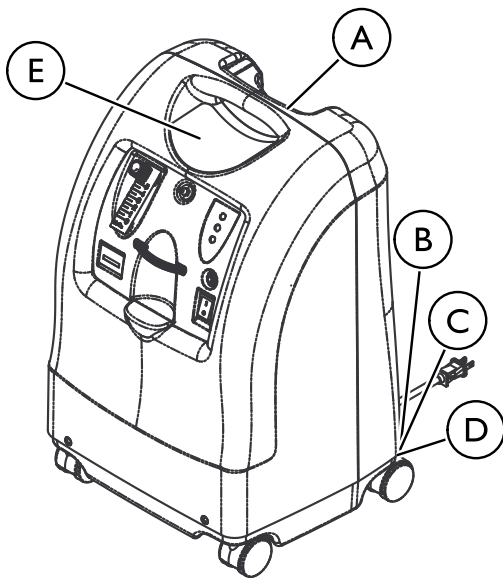
Le informazioni di carattere tecnico verranno fornite su richiesta esclusivamente al personale tecnico qualificato.

## 1.4 Controindicazioni



Invacare non è a conoscenza di eventuali controindicazioni per il concentratore Invacare serie Perfecto<sub>2</sub>.

## 2 Sicurezza

### 2.1 Posizione delle etichette



A	L'etichetta del numero di serie è ubicato sul gruppo di aspirazione del risonatore.
B	L'etichetta delle specifiche è ubicato sul lato posteriore, in basso.
C	L'etichetta del rappresentante UE è ubicato in basso.

D	L'etichetta degli ftalati è ubicata in basso.
	<p style="text-align: center;"><b>Perfecto<sub>2</sub>™</b></p> <p>CONSULTARE IL MANUALE D'USO O CONTATTARE IL PROPRIO FORNITORE DI ATTREZZATURE DI ASSISTENZA DOMICILIARE PER LE ISTRUZIONI SULL'USO IN SICUREZZA DEGLI ALLARMI, DEGLI AVVISI ACUSTICI E DEGLI ACCESSORI.</p> <hr/> <p><b>PERICOLO</b> PERICOLO DI INCENDIO - VIETATO FUMARE E UTILIZZARE FIAMME LIBERE O SORGENTI DI INNESCO</p> <p>Mantenere TUTTE le sorgenti di innesco fuori della stanza in cui si trova il prodotto e lontano dalle aree in cui viene erogato l'ossigeno. Tessuti, oli e altri combustibili sono facilmente infiammabili e bruciano con grande intensità in aria arricchita di ossigeno.</p> <p><b>PERICOLO</b> RISCHIO DI SCOSSE ELETTRICHE  NON rimuovere il coperchio. Per la manutenzione, rivolgersi a personale di assistenza qualificato.</p> <p style="text-align: center;">Compatibile con HomeFill® II</p>
E	<p style="text-align: center;"><b>Perfecto<sub>2</sub>™ V</b></p> <p>CONSULTARE IL MANUALE D'USO O CONTATTARE IL PROPRIO FORNITORE DI ATTREZZATURE DI ASSISTENZA DOMICILIARE PER LE ISTRUZIONI SULL'USO IN SICUREZZA DEGLI ALLARMI, DEGLI AVVISI ACUSTICI E DEGLI ACCESSORI.</p> <hr/> <p><b>PERICOLO</b> PERICOLO DI INCENDIO - VIETATO FUMARE E UTILIZZARE FIAMME LIBERE O SORGENTI DI INNESCO</p> <p>Mantenere TUTTE le sorgenti di innesco fuori della stanza in cui si trova il prodotto e lontano dalle aree in cui viene erogato l'ossigeno. Tessuti, oli e altri combustibili sono facilmente infiammabili e bruciano con grande intensità in aria arricchita di ossigeno.</p> <p><b>PERICOLO</b> RISCHIO DI SCOSSE ELETTRICHE  NON rimuovere il coperchio. Per la manutenzione, rivolgersi a personale di assistenza qualificato.</p> <p style="text-align: center;">Compatibile con HomeFill® II</p>

## 2.2 Linee guida generali

Per garantire che il montaggio, l'installazione e il funzionamento del concentratore avvengano in condizioni di sicurezza, è FONDAMENTALE attenersi a queste istruzioni.



### **PERICOLO!**

#### **Rischio di morte, lesioni o danni**

Un uso improprio del prodotto può essere causa di morte, lesioni o danni. Questa sezione contiene informazioni importanti per il funzionamento e l'utilizzo sicuro di questo prodotto.

- NON usare questo prodotto o nessun altro dispositivo opzionale disponibile senza prima aver letto attentamente e compreso a fondo le presenti istruzioni ed ogni altro materiale informativo come il manuale d'uso, il manuale per la manutenzione o i fogli di istruzione forniti con questo prodotto o con i dispositivi opzionali.
- Qualora alcune avvertenze, precauzioni o istruzioni fossero di difficile comprensione, contattare un operatore sanitario qualificato, il rivenditore o tecnici qualificati prima di iniziare a utilizzare questa apparecchiatura.
- Verificare che TUTTI i componenti esterni e la scatola d'imballaggio non presentino danni. In caso di danni o se il prodotto non funziona correttamente, contattare un tecnico o Invacare per la riparazione.
- LE INFORMAZIONI CONTENUTE NEL PRESENTE MANUALE POSSONO ESSERE MODIFICATE SENZA PREAVVISO.



### **PERICOLO!**

#### **Rischio di morte, lesioni o danni causati dal fuoco**

Prodotti tessili, olio o sostanze a base di petrolio, grasso, sostanze grasse o altri combustibili possono prendere fuoco facilmente e divampare con grande intensità in aria arricchita d'ossigeno e se entrano in contatto con ossigeno sotto pressione. Per evitare incendi, morte, lesioni o danni:

- NON FUMARE mentre si utilizza questo dispositivo.
- NON utilizzare il dispositivo in prossimità di FIAMME LIBERE o MATERIALI INFIAMMABILI.
- NON utilizzare lubrificanti di nessun tipo sul concentratore, a meno che non siano raccomandati da Invacare.
- I cartelli di DIVIETO DI FUMARE devono essere ben visibili.
- Evitare la formazione di scintille in prossimità del concentratore d'ossigeno. Ciò comprende scintille dovute all'elettricità statica causata da qualsiasi tipo d'attrito.
- Tenere fiammiferi, sigarette accese o altre fonti infiammabili fuori dalla stanza in cui si trova il concentratore e lontano dal punto in cui viene erogato l'ossigeno.
- Non coprire i tubi dell'ossigeno, il cavo e il concentratore con oggetti quali coperte, copriletto, cuscini o capi d'abbigliamento e tenerli lontani da superfici calde o fonti di calore, tra cui stufe, piani di cottura e apparecchiature elettriche simili.



### **AVVERTENZA!**

La legislazione federale limita la vendita di questo dispositivo a un medico o su prescrizione di un medico autorizzato dall'agenzia governativa presso la quale pratica la propria attività.

- **SOLTANTO** un medico autorizzato può prescrivere l'acquisto o l'uso di questo apparecchio.



### **PERICOLO!**

#### **Rischio di morte, lesioni causati da scossa elettrica**

Per ridurre il rischio di ustioni, folgorazioni, morte o lesioni a persone:

- **NON** smontare l'apparecchio. Per la manutenzione, rivolgersi a personale di assistenza qualificato.  
L'apparecchio non contiene parti riparabili dall'utente.
- Non usare l'apparecchio quando si fa il bagno. Se in base alla prescrizione medica l'apparecchio deve essere utilizzato costantemente, il concentratore deve essere posizionato in un'altra stanza ad almeno 2,5 m dalla stanza da bagno.
- **NON** toccare il concentratore qualora fosse bagnato.
- **NON** posizionare né conservare il concentratore in un punto da cui potrebbe cadere in acqua o in un altro liquido.
- **NON** toccare il concentratore se è caduto in acqua. Staccare **IMMEDIATAMENTE** la spina.
- **NON** usare i cavi dell'adattatore c.a. se logori o danneggiati.



### **ATTENZIONE!**

#### **Rischio di lesioni o danni**

- I prodotti Invacare sono appositamente progettati e costruiti per essere utilizzati in combinazione con gli accessori Invacare. Gli accessori progettati da altri costruttori non sono stati collaudati da Invacare, pertanto se ne sconsiglia l'uso con i prodotti Invacare.
- Con questo dispositivo è possibile utilizzare molti tipi diversi di umidificatori, tubi dell'ossigeno, cannule e maschere. Rivolgersi al proprio fornitore di apparecchiature per la cura a domicilio per suggerimenti sui dispositivi più adatti in ogni caso specifico. Verranno inoltre fornite informazioni sull'utilizzo adeguato, la manutenzione e la pulizia.



### **PERICOLO!**

#### **Rischio di lesioni o di morte**

Per evitare il soffocamento o l'ingestione di sostanze chimiche dovute alla contaminazione dell'aria:

- **NON** usare il concentratore in presenza di sostanze inquinanti, fumo, esalazioni nocive, anestetici infiammabili, prodotti detergenti, o vapori chimici.

**ATTENZIONE!****Rischio di lesioni o di morte**

Per prevenire lesioni o morte provocate dall'uso improprio del prodotto:

- Prestare la massima attenzione quando il concentratore è usato da o in presenza di bambini o persone con ridotte capacità fisiche.
- Seguire attentamente i pazienti con problemi d'udito e vista che non sono quindi in grado di percepire i segnali d'allarme o di segnalare disagio durante l'uso di questo dispositivo.

**ATTENZIONE!****Pericolo di lesioni o di morte**

Per evitare soffocamento e/o strangolamento dovuto ad attorcigliamento del tubo:

- Tenere bambini e animali domestici lontani dalla cannula nasale e dal tubo.
- Prestare la massima attenzione quando si usa la cannula nasale in presenza di bambini e/o di persone disabili.

**ATTENZIONE!****Rischio di lesioni o di morte**

Per ridurre il rischio di lesioni o morte a seguito di malattia:

- Sostituire regolarmente la cannula nasale. Consultare il fornitore dell'apparecchio o il medico per determinare la frequenza con cui deve essere sostituita la cannula.
- NON usare la stessa cannula per più pazienti.

**ATTENZIONE!****Rischio di lesioni**

Un cambiamento d'altitudine può influenzare la quantità di ossigeno disponibile. Per prevenire la mancanza d'ossigeno:

- Consultare il proprio medico prima di intraprendere un viaggio ad altitudini superiori o inferiori al fine di stabilire se si devono cambiare le impostazioni del flusso.

**ATTENZIONE!****Rischio di lesioni o danni**

Per prevenire lesioni o danni provocati da un uso improprio del cavo:

- NON muovere o spostare il concentratore tirandolo per il cavo.
- NON usare cavi di prolunga provvisti di adattatori di corrente c.a. forniti.
- Conservare e posizionare adeguatamente i cavi elettrici e/o i tubi al fine di evitare il rischio di inciampare.

**ATTENZIONE!****Rischio di lesioni o danni**

Per prevenire lesioni o danni provocati da un uso improprio:

- NON lasciare mai il concentratore incustodito quando è collegato all'alimentazione elettrica.
- Assicurarsi che il concentratore sia spento quando non viene utilizzato.
- All'aperto il dispositivo DEVE essere utilizzato soltanto se alimentato con la batteria interna o supplementare.

**ATTENZIONE!****Rischio di lesioni o danni**

I concentratori di ossigeno Invacare sono progettati espressamente per ridurre al minimo la manutenzione preventiva ordinaria. Per prevenire lesioni o danni:

- La manutenzione preventiva e le regolazioni del concentratore di ossigeno dovrebbero essere eseguite solo da personale competente in materia sanitaria o pienamente a conoscenza di tale processo, per esempio personale addestrato in fabbrica, tranne per le operazioni descritte in questo manuale.
- Gli utenti dovrebbero contattare il proprio rivenditore o il rappresentante locale Invacare per la manutenzione.

**AVVERTENZA!****Rischio di danni**

Per prevenire danni provocati dalla penetrazione di liquidi:

- Se il concentratore non funziona correttamente, è caduto, ha subito danni o è stato immerso in acqua, contattare il fornitore dell'attrezzatura o un tecnico qualificato per un controllo e la riparazione.
- **NON** far cadere né inserire MAI alcun oggetto o liquido in qualsiasi apertura.
- Invacare raccomanda di non utilizzare il concentratore sotto la pioggia.

## 2.3 Interferenza di radiofrequenza

**ATTENZIONE!****Pericolo di lesioni o danni**

Per ridurre il rischio di lesioni o danni al prodotto causati dall'interferenza di dispositivi wireless:

- Mantenere il concentratore a una distanza di almeno 3,0 m (9,8 piedi) dai dispositivi di comunicazione wireless, quali dispositivi di rete domestica wireless, telefoni cellulari, telefoni cordless e relative stazioni base, walkie-talkie, ecc.

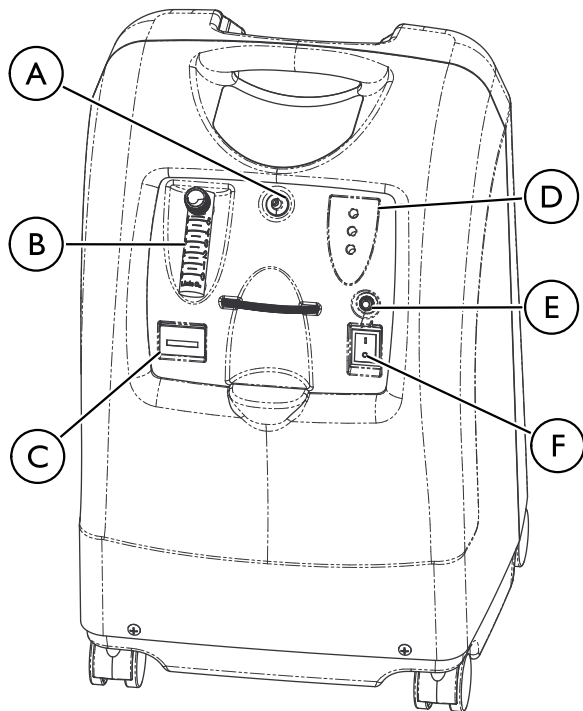
L'apparecchiatura è stata collaudata ed è risultata conforme ai limiti di compatibilità elettromagnetica specificati dalla norma IEC/EN 60601-1-2. Tali limiti sono stati elaborati per fornire una protezione ragionevole contro le interferenze elettromagnetiche di una tipica apparecchiatura medica.

Altri dispositivi possono subire interferenze anche da bassi livelli di emissioni elettromagnetiche consentite dalle norme di cui sopra. Per determinare se l'interferenza è causata dalle emissioni del concentratore, spegnere il concentratore. Se le interferenze con uno o più dispositivi cessano, è il concentratore a causare l'interferenza. In questi rari casi, l'interferenza può essere ridotta o corretta adottando una delle misure seguenti:

- Riposizionerà o spostare le apparecchiature aumentando la distanza tra esse.
- Collegare l'apparecchiatura alla presa di un circuito elettrico diverso da quello che alimenta l'altro o gli altri dispositivi.

## 3 Componenti

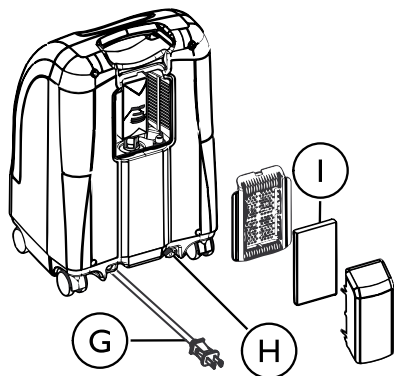
### 3.1 Identificazione dei componenti



(A)	Uscita ossigeno
(B)	Flussometro
(C)	Indicatore di tempo trascorso
(D)	Spie luminose dell'indicatore di purezza ed errore dell'ossigeno /spie luminose dell'indicatore di errore e alimentazione
(E)	Interruttore di circuito
(F)	Interruttore



## Vista posteriore



Ⓒ	Cavo di alimentazione
Ⓗ	Raccordo di uscita HomeFill
Ⓘ	Filtro alloggiamento

**i** Il raccordo di uscita HomeFill **Ⓘ** deve essere usato solo per il riempimento delle bombole di ossigeno con il compressore per ossigeno domiciliare HomeFill. Il raccordo di uscita non incide sulle prestazioni del concentratore. Per le istruzioni relative a funzionamento e collegamento, fare riferimento al Manuale d'uso di HomeFill. Quando non è utilizzata, la spina fornita con il concentratore deve essere inserita nel raccordo di uscita. Per ulteriori informazioni su HomeFill, contattare il proprio rivenditore Invacare.

---

## 4 Accessori

---

### 4.1 Accessori opzionali

Con questo dispositivo è possibile utilizzare molti tipi diversi di umidificatori, tubi dell'ossigeno, cannule e maschere. Rivolgersi al proprio fornitore di apparecchiature per la cura a domicilio per suggerimenti sui dispositivi più adatti in ogni caso specifico. Verranno inoltre fornite informazioni sull'utilizzo adeguato, la manutenzione e la pulizia.

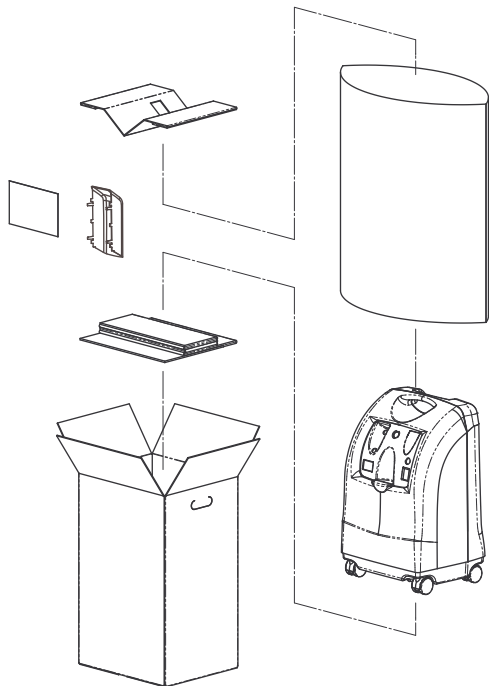
Gli accessori di erogazione (cannula nasale, maschera, tubo, umidificatore, ecc.) usati per fornire ossigeno al paziente richiedono che siano previsti dei sistemi per la propagazione del fuoco tra gli accessori per la sicurezza del paziente e degli altri. Qualora sia disponibile in commercio, come accessorio viene impiegato un dispositivo di arresto del flusso attivato dal fuoco, che deve essere collocato il più vicino possibile al paziente.

Sono disponibili anche i seguenti accessori e pezzi di ricambio opzionali (indicati di seguito):


- Cannula nasale standard per adulti, 2,1 m (7 piedi) - M3120
- Umidificatore standard - Invacare articolo n° 1155719
- Accessorio flussometro/umidificatore pediatrico PreciseRX™ - IRCPF16AW
- Compressore per ossigeno domiciliare HomeFill - IOH200AW
- Portaflacone dell'umidificatore - M1521
- Tubo di erogazione dell'ossigeno 2,1 m (7 piedi) - MS4107
- Tubo di erogazione dell'ossigeno 6,3 m (21 piedi) - MS4121
- Tubo di connessione dell'ossigeno - MS4301

## 5 Messa in servizio

### 5.1 Disimballaggio



1. Verificare che il cartone e il relativo contenuto non abbiano subito nessun danno evidente. In presenza di danni, avvisare il trasportatore o il rivenditore locale.
2. Rimuovere l'imballo.
3. Estrarre con cura dal cartone tutti i componenti.

 Se il concentratore di ossigeno non deve essere usato **IMMEDIATAMENTE**, lasciarlo nella confezione fino a quando non si presenta la necessità di utilizzarlo.

### 5.2 Ispezione

1. Controllare/esaminare che l'esterno del concentratore non presenti scheggiature, ammaccature, crepe, graffi o altri danni.
2. Ispezionare tutti i componenti.

### 5.3 Conservazione

1. Conservare il concentratore all'interno del proprio imballo all'asciutto. Per i parametri delle temperature di conservazione, fare riferimento a Parametri tipici del prodotto.
2. **NON** posare alcun oggetto sulla parte superiore dell'imballo del concentratore.

## 6 Uso

### 6.1 Introduzione

Il concentratore di ossigeno è destinato esclusivamente all'uso individuale all'interno. Si tratta di un dispositivo elettronico che separa l'ossigeno dall'aria ambiente fornendo al paziente ossigeno ad alta concentrazione tramite una cannula nasale. Studi clinici hanno dimostrato che i concentratori di ossigeno equivalgono a livello terapeutico ad altri sistemi di erogazione di ossigeno.

Richiedere al proprio rivenditore di effettuare una dimostrazione dell'uso del concentratore e di rispondere ad eventuali domande. Questo manuale per l'uso descrive il concentratore e serve come riferimento durante l'uso dell'apparecchio.

### 6.2 Scelta di una ubicazione



#### **ATTENZIONE!**

##### **Rischio di lesioni o danni**

Per evitare lesioni o danni causati da sostanze inquinanti presenti nell'aria e/o esalazioni nocive e per un funzionamento ottimale:

- Collocare il concentratore in uno spazio ben ventilato in modo che l'ingresso e gli scarichi dell'aria non siano ostruiti.
- NON ostruire MAI le bocchette dell'aria del concentratore e non posizionarlo mai su una superficie morbida, come un letto o un divano, che possa ostacolare il flusso dell'aria.
- Mantenere le aperture del concentratore libere da ogni eventuale ostruzione (pelucchi, capelli e altro).
- Tenere il concentratore ad almeno 30,5 cm di distanza da pareti, tende o mobili.
- Non usare il concentratore in presenza di sostanze inquinanti, fumo o esalazioni nocive, anestetici infiammabili, prodotti detergenti, o vapori chimici.
- Per evitare sostanze inquinanti presenti nell'aria e/o esalazioni nocive collocare il concentratore in un'area ben ventilata.
- NON utilizzarlo in uno sgabuzzino.



#### **ATTENZIONE!**

##### **Pericolo di lesioni**

Per evitare lesioni durante la terapia:

- Il concentratore di ossigeno DEVE essere posizionato su un piano orizzontale per l'utilizzo.
- NON spostare il concentratore di ossigeno durante l'utilizzo.

Scegliere una camera in cui l'utilizzo del concentratore risulti il più pratico possibile. Il concentratore può essere spostato facilmente da una camera all'altra grazie alle apposite rotelle.

Il concentratore di ossigeno fornisce prestazioni ottimali se utilizzato in presenza delle condizioni dettagliate nella tabella di seguito.

L'uso in condizioni diverse da quelle descritte può determinare un aumento della manutenzione richiesta. La presa di aria dell'apparecchio deve trovarsi in una zona ben ventilata in modo da evitare vapori e/o sostanze inquinanti sospese nell'aria.

### 6.3 Installazione del concentratore

1. Inserire il cavo di alimentazione in una presa elettrica.
2. Connessione dell'umidificatore (se prescritto).

#### 6.3.1 Installazione dell'umidificatore



##### **ATTENZIONE!**

##### **Rischio di lesioni o danni**

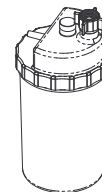
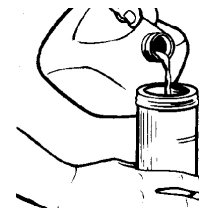
Per evitare ustioni causate da vapore o acqua calda, inalazione di acqua e/o danni provocati dall'acqua al concentratore:

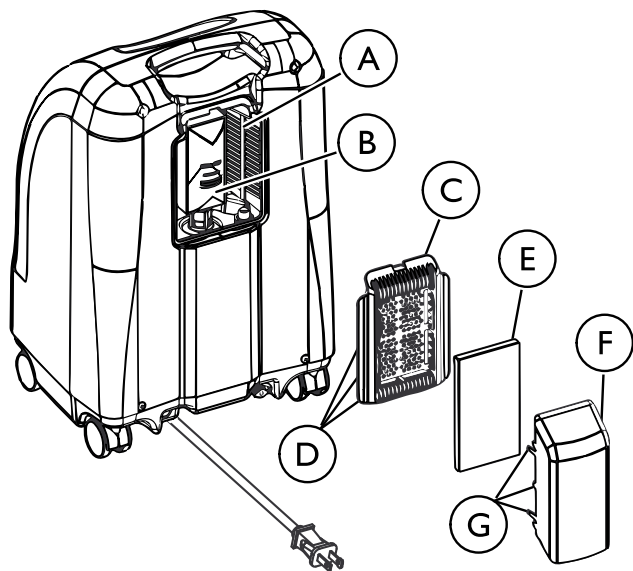
- NON riempire il flacone dell'umidificatore con acqua calda. Prima di riempire l'umidificatore, lasciare che l'acqua bollita si raffreddi a temperatura ambiente.
- NON superare il livello indicato.
- Rimettere il tappo dell'umidificatore e serrare saldamente. Verificare che il tappo non sia spanato sul flacone dell'umidificatore.
- NON invertire le connessioni di ingresso e uscita dell'ossigeno. Se le connessioni di ingresso ed uscita sono invertite, l'acqua fluirà dal flacone dell'umidificatore tramite la cannula fino al paziente.
- Quando si utilizzano tubi di connessione di oltre 2,1 m (7 piedi) di lunghezza, posizionare l'umidificatore il più vicino possibile al paziente per consentire il massimo effetto di umidificazione.

**ATTENZIONE!****Rischio di lesioni o danni**

L'installazione non corretta del flacone dell'umidificatore o di altri accessori sul concentratore influirà sul flusso di ossigeno.

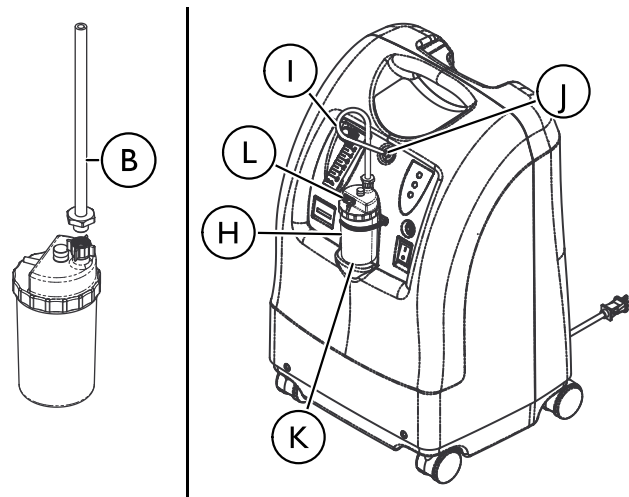
- Per verificare il corretto funzionamento del concentratore di ossigeno e degli accessori, posizionare l'estremità della cannula nasale sotto la superficie di un bicchiere mezzo pieno e verificare la presenza di bolle.
- Se non sono presenti bolle, controllare tutte le connessioni (compresi il flacone dell'umidificatore e altri accessori, se necessario) e ripetere l'operazione. Se le bolle continuano a non comparire, contattare immediatamente il proprio rivenditore o fornitore di servizi.

**Umidificatore Bottiglia con Cap****Umidificatore Bottiglia senza cap**




1. Rimuovere il tappo dal flacone.
2. Riempire il flacone dell'umidificatore con acqua del rubinetto bollita o acqua in bottiglia fino al livello indicato dal produttore. Far bollire l'acqua del rubinetto per circa 10 minuti e farla raffreddare a temperatura ambiente prima di utilizzarla.
3. Inserire un cacciavite a testa piatta nella scanalatura della piastra. Inserire un cacciavite a testa piatta nella scanalatura della piastra sul bordo superiore dello sportello di accesso al filtro C e far leva con delicatezza sullo sportello.
4. Tirare verso l'alto e rimuovere l'adattatore del flacone dell'umidificatore B (accanto al filtro di ingresso).

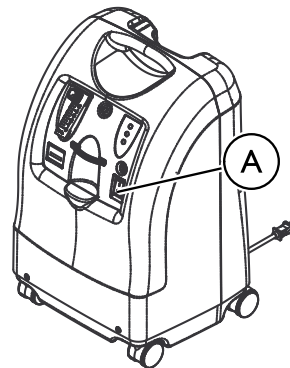
5. Rimettere a posto lo sportello di accesso al filtro e montare su di esso la presa d'aria F inserendo le sei linguette G presenti sulla presa nei sei intagli D presenti sui lati dello sportello di accesso al filtro.



6. Fissare la bottiglia dell'umidificatore adattatore H alla bottiglia umidificatore girando il dado ad alette sulla bottiglia umidificatore in senso antiorario fino a quando non sia fissata saldamente.

7. Scegliere dove posizionare il gruppo flacone/adattatore dell'umidificatore:
    - Quando si posiziona il flacone dell'umidificatore nello scomparto sul concentratore, collegare il tubo del flacone/adattatore dell'umidificatore ① al connettore di uscita dell'ossigeno ① sul concentratore.
    - Per posizionare il flacone dell'umidificatore accanto al paziente, porre il gruppo flacone/adattatore dell'umidificatore nel portafacone dell'umidificatore ② (M1521, fare riferimento alla Accessori opzionali e disporre il gruppo su una superficie piana il più vicino possibile al paziente. Collegare un tubo di connessione dell'ossigeno (MS4301, fare riferimento alla Accessori opzionali) all'estremità del tubo del flacone/adattatore dell'umidificatore. Collegare un'estremità del tubo di erogazione dell'ossigeno (MS4107 o MS4121, fare riferimento alla Accessori opzionali) all'estremità libera del tubo di connessione dell'ossigeno e l'estremità opposta al connettore di uscita dell'ossigeno sul concentratore.
-  Quando si utilizzano tubi di connessione di oltre 2,1 m (7 piedi) di lunghezza, posizionare l'umidificatore il più vicino possibile al paziente per consentire il massimo effetto di umidificazione.
8. Collegare il tubo di erogazione della cannula nasale del paziente all'uscita del flacone dell'umidificatore ③.
  9. Accertarsi che l'ossigeno passi nella cannula.

### 6.3.2 Accensione del concentratore



- I. Portare l'interruttore ④ di alimentazione in posizione On.



Per un secondo tutte le spie si illuminano e l'allarme acustico risuona per indicare che l'apparecchio funziona correttamente.



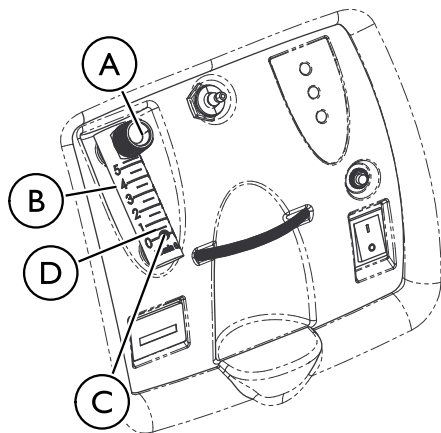
### 6.3.3 Velocità di flusso



#### **ATTENZIONE!** **Rischio di lesioni**

Per evitare lesioni causate da ossigeno in eccesso o insufficiente:

- NON modificare sul flussometro la regolazione l/min senza prescrizione medica.



Non impostare il flusso sopra l'anello ROSSO. Un flusso di ossigeno superiore a 5 l/min ridurrà la concentrazione di ossigeno.

1. Ruotare la manopola (A) della velocità di flusso sul valore prescritto dal medico o dal terapeuta.



Per leggere correttamente il flussometro (B), indentificare la riga della velocità di flusso prescritta. Ruotare quindi la manopola fino a quando la sfera (C) non viene a trovarsi sulla riga. Portare infine la sfera sulla riga l/min desiderata.

2. Se la portata del flussometro dovesse scendere al di sotto di 0,5 l/min (D) per più di circa un minuto, viene attivato l'avviso di potenziale ostruzione. Controllare se il tubo o un altro accessorio non sia bloccato o attorcigliato o se l'umidificatore non sia difettoso. Successivamente, quando la portata nominale viene ripristinata tra 0,5 l/min e 0,75 l/min, l'avviso di potenziale ostruzione si disattiva.



L'utilizzo di alcuni accessori come il flussometro pediatrico PreciseRx™ e il compressore HomeFill, disattivano l'avviso di potenziale ostruzione.

### 6.3.4 Indicatori di purezza dell'ossigeno SensO<sub>2</sub>

Questa funzione monitora la purezza dell'ossigeno generato dal concentratore. Se la purezza scende al di sotto del valore prefissato in fabbrica, si illumina un'apposita spia sul quadro di comando.

### 6.3.5 Avvio iniziale del concentratore

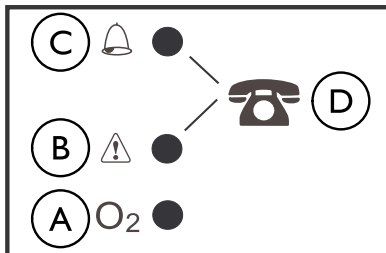


il concentratore può essere usato durante il riscaldamento iniziale (30 min circa) mentre si aspetta che la purezza dell'O<sub>2</sub> raggiunga il massimo livello.

Quando si accende l'apparecchio, si illumina la spia VERDE (SISTEMA OK / O<sub>2</sub> superiore all'85%). Dopo 5 minuti, il sensore dell'ossigeno

funziona normalmente e controlla le spie in funzione ai valori di concentrazione di ossigeno.

### 6.3.6 Significato delle spie dell'indicatore di purezza dell'ossigeno



	Spia	Simbolo	Spiegazione
(A)	Spia VERDE	(O <sub>2</sub> )	Funzionamento normale
(B)	Spia GIALLA		Chiamare immediatamente il fornitore. È possibile continuare a usare il concentratore salvo istruzioni contrarie del fornitore. Accertarsi di avere a portata di mano dell'ossigeno di emergenza.
(C)	Spia ROSSA		Arresto totale dell'apparecchio. Passare immediatamente alla fonte di ossigeno di emergenza e chiamare il fornitore.
(A)(B)	Spia VERDE con spia GIALLA lampeggiante	(O <sub>2</sub> ) e	Chiamare immediatamente il fornitore. Sensore dell'ossigeno guasto, ma è possibile continuare a usare il concentratore.
(D)	—		Chiamare

### 6.3.7 Misuratore tempo trascorso (misuratore ore)

Questo misuratore visualizza il numero complessivo di ore di funzionamento dell'unità.

## 7 Manutenzione

### 7.1 Pulizia dell'alloggiamento



#### **PERICOLO!**

##### **Rischio di lesioni o danni**

I concentratori di ossigeno Invacare sono progettati espressamente per ridurre al minimo la manutenzione preventiva ordinaria. Per prevenire lesioni o danni:

- La manutenzione preventiva del concentratore di ossigeno deve essere eseguita esclusivamente da personale qualificato.
- NON rimuovere l'alloggiamento.



#### **PERICOLO!**

##### **Rischio di lesioni o danni**

Le infiltrazioni di liquido danneggiano i componenti interni del concentratore. Per evitare danni o lesioni dovuti a scossa elettrica:

- Prima della pulizia, spegnere il concentratore e scollegare il cavo elettrico.
- NON lasciare che nessun tipo di detergente penetri nelle aperture di ingresso e uscita dell'aria.
- NON spruzzare o applicare nessun detergente direttamente sull'alloggiamento.
- NON dirigere il getto di una canna verso il prodotto.



#### **AVVERTENZA!**

##### **Rischio di danni**

Sostanze chimiche aggressive possono danneggiare il concentratore. Per evitare danni:

- NON pulire l'alloggiamento, la custodia o il filtro con alcol e prodotti a base d'alcol (alcol isopropilico), prodotti a base di cloro concentrato (cloro etilene) e prodotti a base di olio (Pine-Sol®, Lestoil®) o altre sostanze chimiche aggressive. Usare soltanto un detergente per piatti liquido delicato (ad esempio Dawn™).



La manutenzione preventiva DEVE essere effettuata almeno secondo le linee guida del registro di manutenzione. In sedi di installazione con elevate livelli di polvere o fuliggine, potrebbero essere necessari interventi di manutenzione più frequenti. Fare riferimento alla lista di controllo per la manutenzione.

Pulire periodicamente l'alloggiamento del concentratore nel modo seguente:

1. Usare una spugna o un panno inumidito con un detergente per piatti delicato, ad esempio il sapone per piatti Dawn™, per pulire delicatamente l'alloggiamento esterno.
2. Lasciare asciugare il concentratore all'aria oppure utilizzare un asciugamano asciutto prima di azionare il concentratore.

## 7.2 Pulizia del filtro dell'alloggiamento



### AVVERTENZA!

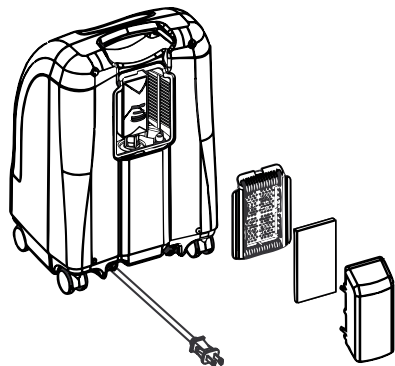
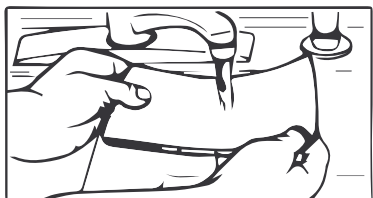
#### Rischio di danni

Per evitare danni dovuti a otturazione:

- NON utilizzare il concentratore senza il filtro di aspirazione aria.



Sul retro dell'alloggiamento è presente un filtro.




1. Rimuoverlo e pulirlo secondo necessità.




Le condizioni ambientali che possono richiedere una più frequente pulizia dei filtri sono, tra le altre: polvere, fumo, agenti inquinanti nell'aria, ecc.

2. Pulire il filtro mobile con un aspirapolvere o lavare con un detergente delicato liquido piatti (come Dawn™) e acqua. Sciacquare abbondantemente.
3. Asciugare completamente il filtro e controllare che non sia consumato, scheggiato, lacerato o forato. Se si riscontrano danni sostituire il filtro.
4. Reinstallare il filtro dell'alloggiamento.

### 7.3 Pulizia e disinfezione termica dell'umidificatore

 Pulire e disinfettare quotidianamente l'umidificatore di ossigeno per ridurre la formazione di depositi di calcare e prevenire l'eventuale contaminazione batterica. Seguire le istruzioni fornite del produttore. Se non viene fornita alcuna istruzione, attenersi alla procedura seguente:

1. Lavare l'umidificatore con acqua e sapone e risciacquare con una soluzione composta da dieci parti di acqua e una parte di aceto.
2. Sciacquare bene con acqua calda.
3. Lasciare asciugare completamente.


 Per limitare la formazione di battere, lasciare asciugare completamente all'aria l'umidificatore dopo averlo pulito, quando non in uso. Per l'utilizzo, fare riferimento a Installazione.

### 7.4 Pulizia e disinfezione da un paziente all'altro



#### **ATTENZIONE!** **Rischio di lesioni o danni**

Per evitare lesioni da infezione o danni al concentratore:  
– Soltanto il personale qualificato può eseguire la pulizia e la disinfezione del concentratore di ossigeno e degli accessori per l'utilizzo da un paziente all'altro.

 Seguire le istruzioni per eliminare possibili scambi patogeni tra i pazienti a causa della contaminazione di componenti o accessori. La manutenzione preventiva deve essere eseguita in quel momento, se necessario.

1. Eliminare e sostituire tutti gli accessori dei pazienti non adatti al riutilizzo tra più pazienti, compresi a titolo di esempio non limitativo:
  - La cannula nasale e il tubo
  - La maschera
  - L'umidificatore
2. Eseguire le procedure di manutenzione descritte nel presente manuale e controllare i punti nella lista di controllo per la manutenzione preventiva.
3. Controllare che il concentratore non presenti eventuali danni o segni esterni che possano richiederne la manutenzione o la riparazione.
4. Assicurarsi che il concentratore funzioni correttamente e che tutti gli allarmi siano funzionanti.
5. Prima di riconfezionare il prodotto e consegnarlo al nuovo paziente, assicurarsi che la confezione contenga il concentratore, il cavo di alimentazione, la presa d'aria in ingresso, le istruzioni di montaggio, l'umidificatore, la cannula, le etichette e il manuale d'uso.

## 7.5 Lista di controllo per la manutenzione preventiva

**N. MODELLO:**

**N. DI SERIE:**

<b>AOGNI ISPEZIONE</b>							
Data dell'intervento							
Registrare le ore trascorse indicate sul contaore							
Pulire i filtri dell'alloggiamento							
Controllare la velocità di flusso prescritta (l/min)							
<b>DURANTE IL PROGRAMMA DI MANUTENZIONE PREVENTIVA O TRA UN PAZIENTE E L'ALTRO</b>							
<b>UNITÀ CON SensO<sub>2</sub> — OGNI 26,280 ORE</b>							
Controllare la concentrazione di ossigeno *							
Pulire/sostituire i filtri dell'alloggiamento							
Pulire/sostituire il filtro HEPA d'uscita*							
Pulire/sostituire il filtro d'ingresso del compressore*							
Controllare l'allarme di perdita dell'alimentazione							



26.820 ore equivalgono ad un uso di 24 ore al giorno, 7 giorni alla settimana per 3 anni.

\*Da eseguire da parte del fornitore o di un tecnico di assistenza qualificato. Vedere il manuale per la manutenzione.

## 8 Dopo l'utilizzo

### 8.1 Informazioni per il riciclo

Questo prodotto è stato fornito da un costruttore consapevole dell'impatto ambientale e nel rispetto della Direttiva 2012/19/UE sullo smaltimento dei materiali elettrici ed elettronici (WEEE). Il prodotto può contenere sostanze che potrebbero essere pericolose per l'ambiente se smaltite in luoghi (discariche) non conformi alla normativa in vigore.

Rispettare le ordinanze locali e i piani di riciclaggio che regolamentano lo smaltimento del concentratore o dei componenti normalmente utilizzati per il suo funzionamento. Il concentratore non produce rifiuti o residui durante il funzionamento.

- NON smaltire il concentratore insieme ai rifiuti domestici.
- Tutti gli accessori che non fanno parte del concentratore DEVONO essere trattati in conformità con il contrassegno relativo allo smaltimento di ogni singolo prodotto.
- NON smaltire la batteria interna e i gruppi batterie supplementari. I gruppi batterie dovrebbero essere restituiti al rivenditore/fornitore.

Invacare® lavora costantemente per garantire che l'impatto ambientale dell'azienda a livello locale e globale sia ridotto al minimo. Rispettiamo le normative ambientali in vigore (ad es. le direttive WEEE e RoHS). Garantiamo di utilizzare esclusivamente materiali e componenti conformi alla direttiva REACH.

### 8.2 Consumo e usura

Invacare si riserva il diritto di richiedere la restituzione di qualsiasi elemento con presunti difetti di lavorazione. Per informazioni specifiche sulla garanzia, vedere il documento di garanzia spedito insieme al prodotto.

Per informazioni sul programma di manutenzione preventiva appropriato e sull'uso del prodotto, fare riferimento al Manuale d'uso.

Queste sono solo linee guida generali e non includono gli elementi danneggiati a causa di abuso o uso improprio. La durata utile varia in base a molti fattori.

Di seguito sono elencati gli elementi e i componenti di questo prodotto soggetti a normale consumo e usura:

- Tutti i tipi di filtri
- Tutti i tipi di tubazioni
- Tutti i tipi di batterie, comprese quelle al piombo-acido/al litio, a bottone (il tipo degli orologi) e al gel (6 mesi)




Il setaccio è di un materiale poroso ed è considerato un componente soggetto a usura. Alcuni fattori che potrebbero influire sulla durata del materiale del setaccio includono umidità, temperatura, particelle, acqua contaminata, aspirazione aria, vibrazioni e altre condizioni ambientali.

## 9 Risoluzione guasti

### 9.1 Risoluzione guasti


SINTOMO	CAUSA PROBABILE	SOLUZIONE:
<p><b>Allarme:</b></p> <p>Bip brevi con lunga pausa</p> <p>Il concentratore non funziona. Interruttore su ON.</p> <p>Bip....Bip....</p>	<p><b>Perdita di corrente:</b></p> <ol style="list-style-type: none"> <li>1. Cavo di alimentazione NON inserito.</li> <li>2. Mancanza di corrente sulla presa.</li> <li>3. Interruttore di circuito scattato.</li> </ol>	<ol style="list-style-type: none"> <li>1. Inserire la spina nella presa.</li> <li>2. Ispezionare gli interruttori di circuito e i fusibili. Se il problema si ripresenta, usare una presa diversa.</li> <li>3. Premere/riarmare l'interruttore automatico. Se il problema persiste, chiamare il fornitore del servizio.</li> </ol>
<p><b>Allarme:</b></p> <p>Continuo</p> <p>Il concentratore non funziona. Interruttore su On.</p> <p>Biiiiiiiiiiip....</p>	<p><b>Errore sistema:</b></p> <ol style="list-style-type: none"> <li>1. Surriscaldamento dovuto a ostruzione sull'entrata dell'aria.</li> <li>2. Corrente insufficiente nella presa.</li> <li>3. Necessaria una riparazione interna.</li> </ol>	<ol style="list-style-type: none"> <li>1.             <ol style="list-style-type: none"> <li>a. Rimuovere e pulire i filtri dell'alloggiamento.</li> <li>b. Porre il concentratore ad almeno 30, 5 cm da pareti, tende o mobili.</li> </ol> </li> <li>2. NON usare prolunghe. Usare un'altra presa elettrica o un altro circuito.</li> <li>3. Chiamare il servizio di assistenza.</li> </ol>



<b>SINTOMO</b>	<b>CAUSA PROBABILE</b>	<b>SOLUZIONE:</b>
<p><b>Allarme:</b></p> <p>Spia GIALLA o ROSSA accesa</p> <p>Allarme: spia ROSSA sempre accesa</p> <p>* Solo per i IRC5PO2AW &amp; IRC5PO2VAW</p>	<p><b>Errore sistema:</b></p> <ol style="list-style-type: none"> <li>1. Ossigeno con bassa purezza.*</li> <li>2. Tubo, cannula o umidificatore schiacciati o bloccati.*</li> <li>3. Flussometro su 0,5 l/min o meno.*</li> <li>4. Surriscaldamento dovuto a ostruzione sull'entrata dell'aria.</li> <li>5. Corrente insufficiente nella presa.</li> <li>6. Necessaria una riparazione interna.</li> </ol>	<ol style="list-style-type: none"> <li>1. Pulire o sostituire i filtri.</li> <li>2. Verificare che non ci siano schiacciature o blocchi. Correggere, pulire o sostituire il componente. Spegnerne per 60 secondi e riaccendere.</li> <li>3. Verificare che il flussometro sia impostato su 1.0 l/min o più. Fare riferimento a Parametri tipici del prodotto.</li> <li>4.             <ol style="list-style-type: none"> <li>a. Rimuovere e pulire i filtri dell'alloggiamento.</li> <li>b. Porre il concentratore ad almeno 30,5 cm da pareti, tende o mobili.</li> </ol> </li> <li>5. NON usare prolunghe. Usare un'altra presa elettrica o un altro circuito.</li> <li>6. Chiamare il servizio di assistenza.</li> </ol>
<p>Spia VERDE con spia GIALLA lampeggiante.</p>	<ol style="list-style-type: none"> <li>1. Necessaria una riparazione interna.</li> </ol>	<ol style="list-style-type: none"> <li>1. Chiamare il servizio di assistenza.</li> </ol>
<p><b>Allarme:</b></p> <p>RAPIDO</p> <p>Bip... Bip...</p> <p>Bip... Bip...</p>	<p><b>Avviso di potenziale ostruzione:</b></p> <ol style="list-style-type: none"> <li>1. Possibile ostruzione nel percorso dell'ossigeno. Tubo, cannula o umidificatore schiacciati o bloccati.</li> <li>2. Flussometro impostato su 0,5 l/min o meno.</li> </ol>	<ol style="list-style-type: none"> <li>1. Verificare che non ci siano schiacciamenti o blocchi. Correggere, pulire o sostituire il componente. Spegnerne per 60 secondi e riaccendere.</li> <li>2. Le velocità di flusso inferiori a 1 l/min non sono raccomandate.</li> </ol> <p> L'uso del flussometro pediatrico disattiva l'avviso di potenziale ostruzione.</p>

## I0 Dati tecnici

### I0.1 Parametri tipici del prodotto

Requisiti elettrici:	230 VAC + 10, -15% (253 VAC/195.5 VAC), 50 Hz
Corrente nominale in entrata:	1,5 A
Livello acustico:	40 dBA max
Altitudine:	Fino a 1828 metri sopra il livello del mare senza degradazione dei livelli di concentrazione. SCONSIGLIATO L'USO SOPRA I 1828 metri. Intervallo della pressione atmosferica: 101,33 kPa — 81,22 kPa
Livelli di concentrazione dell'ossigeno in uscita:	Dall'87% al 95,6% a 0,5 - 5 l/min 93% ± 3% a 2 l/min  Livelli di concentrazione raggiunti dopo un periodo di riscaldamento iniziale (circa 30 minuti)
Pressione massima in uscita:	34,5 ± 3,45 kPa (5 ± 0,5 psi)
Allarme flusso basso:	Da 0,5 a 5 l/min (massimo). Per portate inferiori a 1 l/min, si raccomanda l'uso dell'accessorio flussometro pediatrico Invacare (IRCPF16AW).
Avviso di potenziale ostruzione:	0 l/min to 0,5 l/min Il concentratore rileva una condizione che può indicare una potenziale ostruzione per l'ossigeno in uscita. Bip sonoro di allarme con ripetizione rapida (questo avviso è disattivato quando vengono collegati gli accessori). Può essere associato con una regolazione di flusso di 0,5 l/min o meno.
Consumo elettrico:	Perfecto <sub>2</sub> AW - 300 W a 5 l/min, 280 W a 3 l/min Perfecto <sub>2</sub> VAW - 320 W a 5 l/min

Meccanismo di regolazione della pressione operativo a:	24 l kPa ± 24, l kPa (35 psi ± 3,5 psi)
Variazione rispetto al flusso massimo raccomandato quando si applica una contropressione di 7 kPa:	0,7 l/min
Filtri:	Cabinet, Alloggiamento, uscita HEPA ed entrata compressore
Sistema di sicurezza:	Sovraccarico di corrente o arresto per sovratensione. Arresto del compressore per temperatura elevata. Arresto del compressore per pressione elevata. Arresto del compressore per pressione bassa. Allarme per perdita di alimentazione senza batterie. Avviso di possibile ostruzione del sistema ad ossigeno SensO <sub>2</sub> .
Larghezza:	38, l cm ± l cm
Altezza:	58,4 cm ± l cm
Profondità:	30,5 cm ± l cm
Peso:	Perfecto <sub>2</sub> AW Modelli - 20,5 kg ± l kg Perfecto <sub>2</sub> VAW Modelli - 18, l kg ± l kg
Peso di spedizione:	Perfecto <sub>2</sub> AW Modelli - 22,7 kg ± l kg Perfecto <sub>2</sub> VAW Modelli - 20,4 kg ± l kg
Condizioni ambientali per il funzionamento:	10°C - 35°C al 20-60% di umidità relativa
Alloggiamento:	In plastica resistente agli urti e ignifugo (conforme alla norma UL 94-V0).
Non AP/APG:	Non idoneo all'uso in presenza di una miscela anestetica infiammabile.

Standard e norme:	IEC/EN60601-1, A1, A2 IEC/EN60601-1-2 IEC/EN61000-3-2 IEC/EN61000-3-3, ISO8359 MDD 93/42/EEC, Annex I e IX
Modelli con marchio CE	IRC5PO2AW/IRC5PO2VAW
Elettricità:	Vietato l'uso di prolunghe
Posizionamento:	Collocare a una distanza minima di 30,5 cm (12 pollici) da pareti, tende, mobili o superfici simili al fine di garantire una circolazione sufficiente dell'aria. Evitare tappeti troppo spessi, radiatori, riscaldatori o altri erogatori d'aria calda. Collocare esclusivamente sul pavimento. Non collocare in spazi ristretti (ad esempio: armadi).
Tubature:	Cannula da 2 m con una estensione massima di 15 m di tubature a prova di rottura. (NON schiacciare)
Durata di funzionamento:	Fino a 24 ore al giorno
Temperatura raccomandato di immagazzinamento e di spedizione:	Da -29°C a 65°C, al 15-95% di umidità relativa
Ambiente:	Assenza di fumo e di fuliggine Non collocare in spazi ristretti (ad esempio: armadi)
Tempo di funzionamento minimo:	30 minuti

Notes

# Índice

Este manual TEM de ser fornecido ao utilizador do produto. ANTES de utilizar este produto, leia este manual e guarde-o para futuras consultas.

<b>1 Geral</b>	<b>174</b>
1.1 Símbolos	174
1.2 Utilização prevista	176
1.3 Descrição	176
1.4 Contraindicações	177
<b>2 Segurança</b>	<b>178</b>
2.1 Localizações dos rótulos	178
2.2 Directrizes globais	179
2.3 Interferência de radiofrequência	182
<b>3 Componentes</b>	<b>183</b>
3.1 Identificação dos componentes	183
<b>4 Acessórios</b>	<b>185</b>
4.1 Acessórios opcionais	185
<b>5 Configuração</b>	<b>186</b>
5.1 Desembalagem	186
5.2 Inspeção	186
5.3 Armazenamento	186
<b>6 Utilização</b>	<b>187</b>
6.1 Introdução	187
6.2 Escolher um local	187
6.3 Configurar o concentrador	188
6.3.1 Configurar o humidificador	188
6.3.2 Ligação do concentrador	191
6.3.3 Débito	192
6.3.4 Indicador da Pureza do Oxigénio SensO <sub>2</sub>	192

6.3.5 Ligação inicial do concentrador	192
6.3.6 Explicação das Luzes Indicadoras da Pureza do Oxigénio	193
6.3.7 Indicador de tempo decorrido (Contador horário)	193

## **7 Manutenção** . . . . . **194**

7.1 Limpar o compartimento	194
7.2 Limpeza do filtro do compartimento	195
7.3 Limpeza e desinfeção térmica do humidificador	196
7.4 Limpeza e desinfeção entre pacientes	196
7.5 Lista de verificação de manutenção preventiva	197

## **8 Após a utilização** . . . . . **198**

8.1 Informações de reciclagem	198
8.2 Desgaste	198

## **9 Resolução de problemas** . . . . . **199**

9.1 Resolução de problemas	199
----------------------------	-----

## **10 Características técnicas** . . . . . **202**

10.1 Parâmetros típicos do produto	202
------------------------------------	-----

# I Geral

## I.1 Símbolos

Neste manual são utilizadas palavras de sinalização que se aplicam a perigos ou a práticas inseguras que poderiam resultar em lesões pessoais ou danos em bens. Consultar a tabela seguinte para obter as definições das palavras de sinalização.



### PERIGO!

– A palavra perigo indica uma situação de perigo iminente que, se não for evitada, irá resultar em morte ou em lesões graves.



### ADVERTÊNCIA!

– A palavra advertência indica uma situação potencialmente perigosa que, se não for evitada, poderia resultar em morte ou em lesões graves.



### ATENÇÃO!

– Precaução indica uma situação potencialmente perigosa, que se não for evitada poderá resultar em danos materiais ou lesões secundárias ou ambos.



Fornecer sugestões, recomendações e informações úteis para uma utilização eficiente e sem problemas.

## Símbolos utilizados na documentação



Leia o manual



Proibido fumar



Não expor a chamas descobertas



Classe II, duplo isolamento



Corrente alternada



Equipamento do tipo BF



Reciclagem



NÃO eliminar junto com o lixo doméstico



Perigo elétrico



Manter seco



Representante da CE



Fabricante



Telefonar ao fornecedor



Este produto está em conformidade com a Directiva 93/42/CEE sobre dispositivos médicos.

A data de lançamento deste produto é indicada na declaração de conformidade CE.

Para obter informações mais detalhadas sobre as marcas CE, consulte os Parâmetros de produto típicos.

### Símbolos no produto





Unidade ligada



Unidade desligada

### Indicadores do O<sub>2</sub>

Símbolo	Pureza do O <sub>2</sub>	Indicadores luminosos (LED)
O <sub>2</sub>	SISTEMA OK O <sub>2</sub> acima de 85%	Indicador luminoso VERDE
	O <sub>2</sub> entre 73% e 85%	Indicador luminoso AMARELO A. AMARELO fixo B. Falha do sensor AMARELO Intermitente. Contactar um técnico qualificado.
	FALHA DO SISTEMA O <sub>2</sub> abaixo de 73%	Indicador luminoso VERMELHO Encerramento do Compressor devido ao Alarme Sonoro Contínuo (crivo) Sieve-GARD™



## 1.2 Utilização prevista

O concentrador destina-se a ser utilizado em ambiente doméstico ou institucional. O seu concentrador de oxigénio destina-se a uma utilização individual em pacientes com distúrbios respiratórios que precisam de suplementos de oxigénio. O dispositivo não se destina à conservação ou suporte de vida. O concentrador destina-se a ser utilizado em ambiente doméstico ou institucional.



### **PERIGO! RISCO DE LESÕES OU MORTE**

Este produto deve ser utilizado como suplemento de oxigénio e não é considerado um aparelho de conservação ou suporte de vida. Utilize APENAS este produto se o paciente for capaz de respirar espontaneamente e conseguir inspirar e expirar sem a utilização de uma máquina.

– NÃO utilize paralelamente ou em série com outros concentradores de oxigénio ou dispositivos de terapia de oxigénio.



### **PERIGO! RISCO DE LESÕES OU MORTE**

Dependendo da sua condição médica, os pacientes com taxas de fluxo superiores a 5 l/m podem ter um risco acrescido de lesão grave ou morte em caso de falha.

– Se lhe for receitada uma taxa de fluxo superior a 5 l/m, debata SEMPRE este risco acrescido com o seu prestador de cuidados de saúde ANTES de utilizar este produto.



### **PERIGO! RISCO DE LESÕES OU MORTE**

Embora a Invacare procure fabricar o melhor concentrador de oxigénio disponível atualmente no mercado, este concentrador de oxigénio pode não conseguir produzir oxigénio devido a uma falha de energia ou avaria do dispositivo.

- Tenha SEMPRE uma fonte de reserva de O<sub>2</sub> prontamente disponível.
- Na eventualidade de o concentrador não conseguir produzir oxigénio, o concentrador emitirá um alarme breve que indica ao paciente que deve passar para a sua fonte de reserva de O<sub>2</sub>. Consulte a Resolução de problemas, para obter informações mais detalhadas.



### **ADVERTÊNCIA! RISCO DE LESÕES OU DANOS**

O uso deste produto para além da utilização prevista e dos parâmetros do produto não foi testado e pode resultar em danos no produto, perda de função do produto ou lesões pessoais.

- NÃO utilize este produto de algum outro modo que não esteja descrito nos parâmetros do produto, na secção de utilização prevista deste manual.

## 1.3 Descrição

O concentrador de oxigénio Perfecto<sub>2</sub> da Invacare é utilizado por pacientes com problemas respiratórios que precisam de oxigénio suplementar. O dispositivo não se destina à conservação ou ao suporte de vida.

O nível da concentração de oxigénio no gás de saída varia entre 87% e 95,6%. O oxigénio é fornecido ao doente através de uma cânula nasal.

O concentrador de oxigénio Perfecto<sub>2</sub> da Invacare utiliza um filtro molecular e uma metodologia de adsorção por variação de pressão para produzir o débito de oxigénio. O ar ambiente entra no dispositivo, é filtrado e posteriormente comprimido. Este ar comprimido é então encaminhado para um dos dois filtros de adsorção de nitrogénio.

O oxigénio concentrado sai pelo lado oposto do filtro ativo e é encaminhado para um reservatório de oxigénio onde é administrado ao paciente.

O concentrador Perfecto<sub>2</sub> da Invacare pode ser utilizado pelo paciente num ambiente doméstico ou num ambiente institucional. O dispositivo funciona com uma fonte de alimentação nominal de 230 VCA/50 Hertz.



Ambos os modelos de concentrador (IRC5PO2AW e IRC5PO2VAW) têm parâmetros de funcionamento idênticos com a exceção do peso do produto e consumo de energia. Consulte os Parâmetros de produto típicos.

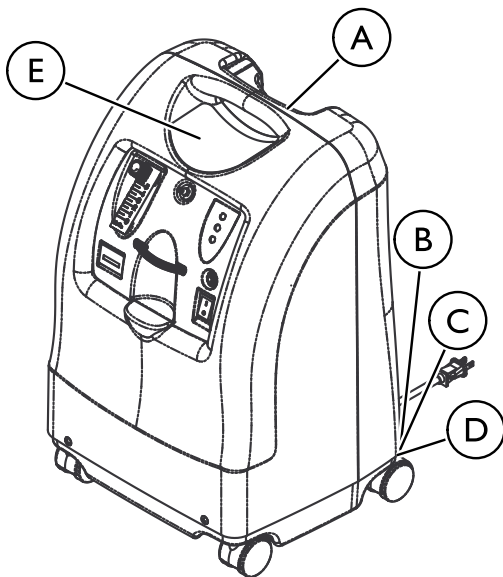
Serão disponibilizadas informações de assistência a pedido apenas a técnicos qualificados.

## 1.4 Contraindicações

A Invacare não tem conhecimento de quaisquer contra-indicações para a série do concentrador Perfecto<sub>2</sub> da Invacare.

## 2 Segurança

### 2.1 Localizações dos rótulos



A	O rótulo do número de série encontra-se na unidade de entrada do ressoador.
B	O rótulo de especificações está localizado na parte posterior do concentrador, na base.
C	O rótulo do representante da UE está localizado na base.

D	<p>O rótulo de falato está localizado na base.</p> <div style="border: 1px solid black; border-radius: 20px; padding: 10px; text-align: center;"> <p><b>Perfecto<sub>2</sub>™</b></p> <p> CONSULTE O MANUAL DE UTILIZAÇÃO OU CONTACTE O SEU FORNECEDOR DE EQUIPAMENTO DE CUIDADOS DOMICILIÁRIOS PARA OBTER INSTRUÇÕES PARA UMA UTILIZAÇÃO SEGURA, INFORMAÇÕES SOBRE ALARMES, ALERTAS SONOROS E UTILIZAÇÃO DE ACESSÓRIOS.</p> <hr/> <p><b>⚠ PERIGO RISCO DE INCÊNDIO - PROIBIDO FUMAR OU EXPOR A CHAMAS DESCOBERTAS OU FONTES DE IGNIÇÃO</b></p> <p> Mantenha TODAS as fontes de ignição longe do quarto onde se encontra o produto e também longe dos locais de administração de oxigénio. Os tecidos, óleos e outros materiais combustíveis, ardem com facilidade e maior intensidade num ambiente rico em oxigénio.</p> <p><b>⚠ PERIGO RISCO DE CHOQUE ELÉCTRICO</b> </p> <p>NÃO retire o revestimento. Reencaminhar para técnicos de assistência qualificados para reparação.</p> <p>HomeFill® II Compatível</p> </div>
E	<div style="border: 1px solid black; border-radius: 20px; padding: 10px; text-align: center;"> <p><b>Perfecto<sub>2</sub>™ V</b></p> <p> CONSULTE O MANUAL DE UTILIZAÇÃO OU CONTACTE O SEU FORNECEDOR DE EQUIPAMENTO DE CUIDADOS DOMICILIÁRIOS PARA OBTER INSTRUÇÕES PARA UMA UTILIZAÇÃO SEGURA, INFORMAÇÕES SOBRE ALARMES, ALERTAS SONOROS E UTILIZAÇÃO DE ACESSÓRIOS.</p> <hr/> <p><b>⚠ PERIGO RISCO DE INCÊNDIO - PROIBIDO FUMAR OU EXPOR A CHAMAS DESCOBERTAS OU FONTES DE IGNIÇÃO</b></p> <p> Mantenha TODAS as fontes de ignição longe do quarto onde se encontra o produto e também longe dos locais de administração de oxigénio. Os tecidos, óleos e outros materiais combustíveis, ardem com facilidade e maior intensidade num ambiente rico em oxigénio.</p> <p><b>⚠ PERIGO RISCO DE CHOQUE ELÉCTRICO</b> </p> <p>NÃO retire o revestimento. Reencaminhar para técnicos de assistência qualificados para reparação.</p> <p>HomeFill® II Compatível</p> </div>

## 2.2 Directrizes globais

Para garantir uma instalação, montagem e funcionamento seguros do concentrador, TEM DE seguir estas instruções.



### **PERIGO!**

#### **Risco de morte, lesões ou danos**

A utilização incorrecta do produto pode causar morte, lesões ou danos. Esta secção contém informações importantes para o funcionamento e utilização seguros deste produto.

- NÃO utilize este produto ou qualquer equipamento opcional disponível sem primeiro ler e compreender estas instruções e todo o material de instrução adicional, assim como os manuais de utilização, os manuais de assistência ou os folhetos informativos fornecidos com este produto ou com o equipamento opcional.
- Se não compreender as advertências, avisos ou instruções, contacte um profissional de cuidados de saúde, o fornecedor ou a equipa técnica antes de tentar utilizar este equipamento.
- Verifique se existem danos em TODOS os componentes externos e na embalagem. Em caso de danos ou se o produto não estiver a funcionar correctamente, contacte um técnico ou a Invacare para se proceder à reparação.
- AS INFORMAÇÕES CONTIDAS NESTE DOCUMENTO PODEM SER ALTERADAS SEM AVISO PRÉVIO.



### **PERIGO!**

#### **Risco de morte, lesões ou danos devido a incêndio**

Têxteis, óleos ou substâncias petrolíferas, lubrificantes, substâncias lubrificantes e outros combustíveis são facilmente inflamáveis e ardem com grande intensidade em ambiente rico em oxigénio e quando em contacto com oxigénio sob pressão. Para evitar incêndios, morte, lesões ou danos:

- NÃO FUME durante a utilização deste dispositivo.
- NÃO o utilize perto de CHAMAS ABERTAS ou FONTES DE IGNIÇÃO.
- NÃO utilize quaisquer lubrificantes no concentrador salvo os recomendados pela Invacare.
- Os sinais de PROIBIDO FUMAR devem estar bem visíveis.
- Evite a formação de faíscas próximas de equipamentos de oxigénio. Isto inclui faíscas de electricidade estática originadas por qualquer tipo de fricção.
- Mantenha todos os fósforos, cigarros ou outras fontes de ignição longe da divisão onde o concentrador se encontra e também longe do local de administração do oxigénio.
- Não cubra o tubo de oxigénio, o cabo de alimentação e o concentrador com cobertores, colchas, almofadas de cadeiras ou roupa, e mantenha-os afastados de superfícies quentes ou aquecidas, incluindo aquecedores eléctricos, fornos e electrodomésticos com características semelhantes.



### **ATENÇÃO!**

A lei federal (estatutária) restringe a venda deste dispositivo a ou mediante receita médica de um profissional médico licenciado pela agência governamental na qual exerça a actividade médica.

- APENAS um profissional médico licenciado pode encomendar a compra ou utilização deste dispositivo.



### **PERIGO!**

#### **Risco de morte ou lesões devido a choque eléctrico**

Para reduzir o risco de queimaduras, electrocussão, morte ou lesões em pessoas:

- NÃO desmontar. Reencaminhar para técnicos de assistência qualificados para reparação. Não inclui peças passíveis de assistência pelo utilizador.
- Evite usar durante o banho. Se o uso contínuo for prescrito pelo médico, o concentrador terá de ser colocado noutra divisão a pelo menos 2,5 m da banheira.
- NÃO toque no concentrador quando estiver molhado.
- NÃO coloque nem guarde o concentrador num local onde possa cair dentro de água ou de outro líquido.
- NÃO toque no concentrador se tiver caído dentro de água. Desligar **IMEDIATAMENTE**.
- NÃO utilize cabos de adaptador CA desgastados ou danificados.



### **ADVERTÊNCIA!**

#### **Risco de lesões ou danos**

- Os produtos da Invacare foram especificamente concebidos e fabricados para serem utilizados em conjunto com acessórios Invacare. Os acessórios concebidos por outros fabricantes não foram testados pela Invacare e não são recomendados para utilização com produtos Invacare.
- Existem muitos tipos diferentes de humidificador, tubo de oxigénio, cânula e máscara que podem ser utilizados com este dispositivo. Deve contactar o seu fornecedor local de cuidados domiciliários para obter recomendações sobre qual destes dispositivos será mais adequado para si. O mesmo fornecedor também deverá prestar-lhe conselhos sobre a utilização, manutenção e limpeza adequadas do dispositivo.



### **PERIGO!**

#### **Risco de lesões ou morte**

Para evitar a asfixia ou a ingestão de químicos causadas por contaminação das vias aéreas:

- NÃO utilize o concentrador na presença de poluentes, fumo, emanações, anestésicos inflamáveis, agentes de limpeza ou vapores químicos.

**ADVERTÊNCIA!****Risco de lesões ou morte**

Para evitar lesões ou morte causadas por utilização incorrecta do produto:

- É necessária estreita supervisão quando este concentrador for utilizado por ou próximo de crianças ou indivíduos com incapacidade física.
- Monitorize os pacientes que não ouvem ou não vêem os alarmes ou sejam incapazes de se queixarem de desconforto durante a respectiva utilização do dispositivo.

**ADVERTÊNCIA!****Risco de lesões ou morte**

Para evitar a asfixia e/ou o estrangulamento por emaranhamento no tubo:

- Mantenha as crianças e os animais domésticos afastados da cânula nasal e do tubo.
- É necessária estreita supervisão quando a cânula nasal é utilizada perto de crianças e/ou pessoas com deficiências.

**ADVERTÊNCIA!****Risco de lesões ou morte**

Para reduzir o risco de lesões ou morte por doença:

- Substitua a cânula nasal regularmente. Consulte o seu fornecedor de equipamento ou médico para determinar com que frequência a cânula deve ser substituída.
- NÃO partilhe cânulas entre pacientes.

**ADVERTÊNCIA!****Risco de lesões**

Uma mudança de altitude pode afectar o oxigénio total disponível. Para evitar a privação do oxigénio:

- Consulte o seu médico antes de viajar para altitudes superiores ou inferiores para determinar se as suas definições de fluxo devem ser alteradas.

**ADVERTÊNCIA!****Risco de lesões ou danos**

Para evitar lesões ou danos causados por utilização incorrecta do cabo:

- NÃO mova nem mude o concentrador de sítio puxando-o pelo cabo de alimentação.
- NÃO utilize cabos de extensão com os adaptadores de alimentação CA fornecidos.
- Armazene e posicione correctamente os tubos e/ou cabos eléctricos para evitar o perigo de tropeção.

**ADVERTÊNCIA!****Risco de lesões ou danos**

Para evitar lesões ou danos causados por utilização incorrecta:

- NUNCA deixe o concentrador sem supervisão quando ligado.
- Certifique-se de que o concentrador está desligado quando não está a ser utilizado.
- A utilização do concentrador no exterior TEM DE ser realizada apenas com alimentação por bateria interna ou suplementar.



### **ADVERTÊNCIA!**

#### **Risco de lesões ou danos**

Os concentradores de oxigénio da Invacare foram concebidos especificamente para reduzir a manutenção preventiva de rotina. Para evitar lesões ou danos:

- Exceptuando as tarefas descritas neste manual, a realização de manutenção preventiva ou de ajustes do desempenho no concentrador de oxigénio deve ser feita apenas por profissionais da área da saúde ou pessoas totalmente familiarizadas com este processo como, por exemplo, pessoal tenha recebido formação na fábrica.
- Os utilizadores devem contactar o seu fornecedor ou a Invacare para obter assistência.



### **ATENÇÃO!**

#### **Risco de danos**

Para evitar danos causados pela entrada de líquidos:

- Se o concentrador não estiver a funcionar correctamente, se tiver caído ou se tiver sido danificado, ou caso tenha caído dentro de água, contacte o fornecedor do equipamento/técnico qualificado para proceder a uma avaliação e reparação.
- **NUNCA** tente introduzir qualquer objecto ou líquido nas aberturas.
- A Invacare recomenda que o concentrador não seja utilizado à chuva.

## **2.3 Interferência de radiofrequência**



### **ADVERTÊNCIA!**

#### **Risco de lesões ou danos**

Para reduzir o risco de lesões ou danos no produtos devido a interferência com o equipamento sem fios:

- Mantenha o concentrador a, pelo menos, 3 m (9,8 pés) de distância de equipamentos de comunicações sem fios, tais como dispositivos de rede domésticos sem fios, telemóveis, telefones sem fios e as respetivas estações base, walkie-talkies, etc.

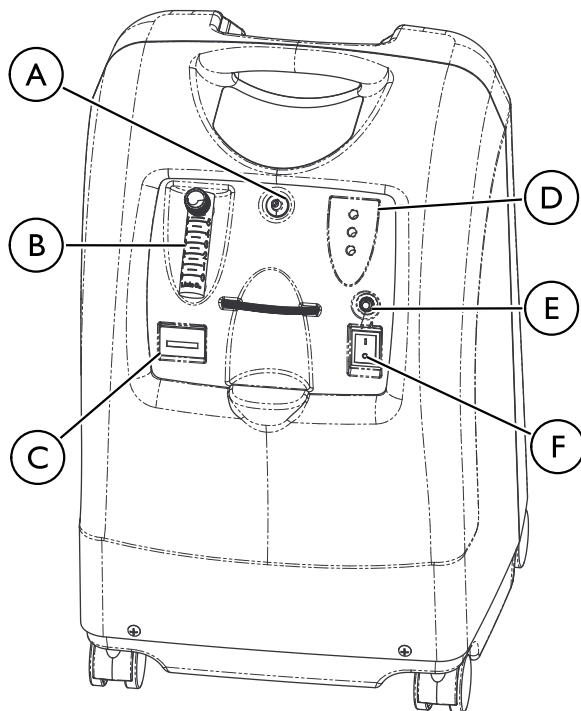
Este equipamento foi testado e considerado em conformidade com os limites CEM especificados pela norma IEC/EN 60601-1-2. Estes limites são estabelecidos para fornecer uma protecção razoável contra interferência electromagnética numa instalação médica típica.

Outros dispositivos poderão sofrer interferências mesmo com os baixos níveis de emissões electromagnéticas permitidos pelas normas acima mencionadas. Para determinar se as emissões do concentrador estão a causar interferências, desligue o concentrador. Se a interferência com o(s) outro(s) dispositivo(s) parar, significa que o concentrador está a causar a interferência. Nestes casos raros, poderá reduzir ou corrigir a interferência tomando uma das seguintes medidas:

- Reposicionar, mudar de sítio ou aumentar o espaço entre o equipamento.
- Ligar o equipamento a uma tomada num circuito diferente daquele aonde está(ão) ligado(s) o(s) outro(s) dispositivo(s).

## 3 Componentes

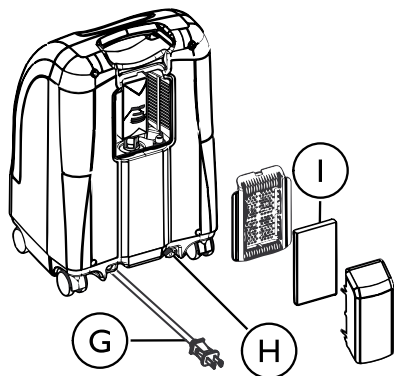
### 3.1 Identificação dos componentes



(A)	Saída de oxigénio
(B)	Debitómetro
(C)	Contador do Tempo Decorrido
(D)	Luzes Indicadoras da Pureza do Oxigénio / Luzes Indicadoras de Falha e Energia
(E)	Disjuntor do circuito
(F)	Interruptor de alimentação



## Vista posterior



Ⓒ	Fio eléctrico
Ⓓ	Encaixe de saída HomeFill
Ⓘ	Filtro do compartimento

**i** O encaixe de saída HomeFill Ⓓ só deve ser utilizado para encher cilindros de oxigénio com o compressor de oxigénio doméstico HomeFill. O encaixe de saída não afeta o desempenho do concentrador. Consulte o manual de utilização do HomeFill, para obter as instruções de ligação e funcionamento. Quando não estiver a ser utilizada, a ficha fornecida com o concentrador deve ser inserida no encaixe de saída. Para obter mais informações sobre o HomeFill, contacte o seu fornecedor da Invacare.

---

## 4 Acessórios

---

### 4.1 Acessórios opcionais

Existem muitos tipos diferentes de humidificador, tubo de oxigênio, cânula e máscara que podem ser utilizados com este dispositivo. Deve contactar o seu fornecedor local de cuidados domiciliares para obter recomendações sobre qual destes dispositivos será mais adequado para si. O mesmo fornecedor também deverá prestar-lhe conselhos sobre a utilização, manutenção e limpeza adequadas do dispositivo.

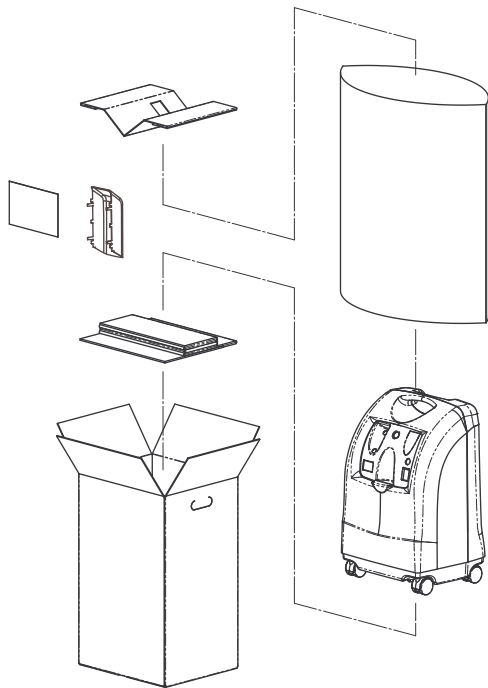
Para a segurança do paciente e de terceiros, os acessórios de alimentação (cânula nasal, máscara, tubo, humidificador, etc.) utilizados para administrar oxigênio ao paciente têm de incluir um meio para reduzir a propagação de incêndio nos acessórios. Se for utilizado um dispositivo comercialmente disponível de paragem de fluxo acionado por incêndio na configuração dos acessórios, este deverá ser colocado o mais próximo possível do prático.

Também estão disponíveis os acessórios opcionais e as peças de substituição (listados abaixo) que se seguem:

- Cânula nasal para adultos standard, 2,1 m (7 pés) - M3120
- Humidificador standard - Invacare - Peça n.º 1155719
- Acessório de medidor de fluxo/humidificador pediátrico PreciseRX™ - IRCPF16AW
- Compressor de oxigênio doméstico HomeFill - IOH200AW
- Suporte do frasco do humidificador - M1521
- Tubo de abastecimento de oxigênio de 2,1 m (7 pés) - MS4107
- Tubo de abastecimento de oxigênio de 6,3 m (21 pés) - MS4121
- Conector do tubo de oxigênio - MS4301

## 5 Configuração

### 5.1 Desembalagem



1. Verifique se existem danos evidentes na caixa de cartão ou no conteúdo. Se os danos forem evidentes, informe a transportadora ou o seu revendedor local.
2. Retire todos os materiais de protecção soltos da caixa de cartão.
3. Remova cuidadosamente todos os componentes da embalagem.



A menos que pretenda utilizar **IMEDIATAMENTE** o concentrador de oxigénio, deixe-o na embalagem para armazenamento até ser necessário.

### 5.2 Inspeção

1. Inspeccione/examine o exterior do concentrador quanto a fendas, amolgadelas, fissuras, riscos ou outros danos.
2. Inspeccione todos os componentes.

### 5.3 Armazenamento

1. Guarde o concentrador de oxigénio dentro da caixa de cartão, numa área seca. Para os parâmetros da temperatura de armazenamento, consulte os Parâmetros de produto típicos.
2. **NÃO** coloque objectos sobre a caixa de cartão com o concentrador.

## 6 Utilização

### 6.1 Introdução

O concentrador de oxigénio foi concebido para utilização individual em ambientes interiores. É um aparelho electrónico que separa o oxigénio do ar ambiente. Permite administrar uma concentração de oxigénio elevada directamente através de uma cânula nasal. Estudos clínicos demonstraram que os concentradores de oxigénio são equivalentes, do ponto de vista terapêutico, a outros sistemas de administração de oxigénio.

O seu prestador de cuidados de saúde ensinar-lhe-á como utilizar o concentrador de oxigénio. Se tiver alguma dúvida ou problema com o concentrador de oxigénio, deverá contactar o seu prestador de cuidados de saúde. Este manual do proprietário explica-lhe sobre o seu concentrador e servir-lhe-á de referência durante a utilização do seu concentrador.

### 6.2 Escolher um local



#### **ADVERTÊNCIA!**

#### **Risco de lesões ou danos**

Para evitar lesões ou danos devido a emanações e/ou poluentes existentes no ar e para o máximo desempenho:

- Coloque o concentrador num espaço bem ventilado, de forma que as entradas e saídas de ar não fiquem obstruídas.
- NUNCA bloqueie as entradas de ar do concentrador nem o coloque numa superfície mole como, por exemplo, uma cama ou sofá, onde as entradas de ar possam ser bloqueadas.
- Mantenha as entradas sem fios, cabelos e outras matérias semelhantes.
- Mantenha o concentrador a uma distância de pelo menos 30,5 cm das paredes, tecidos e mobília.
- Evite a utilização na presença de poluentes, fumos ou emanações, anestésicos inflamáveis, agentes de limpeza ou vapores químicos.
- Coloque o concentrador numa área bem ventilada para evitar as emanações e/ou poluentes existentes no ar.
- NÃO o utilize dentro de um armário.



### **ADVERTÊNCIA!**

#### **Risco de lesões**

Para evitar lesões durante a terapia:

- O concentrador de oxigénio **DEVE** ser colocado numa superfície plana para poder ser utilizado.
- **NÃO** mude o concentrador de oxigénio enquanto estiver a funcionar.

O concentrador de oxigénio pode ser colocado na divisão da casa que for mais conveniente. Os rodízios do concentrador permitem deslocá-lo facilmente de uma divisão para a outra.

O concentrador de oxigénio irá funcionar melhor sob as condições descritas na tabela abaixo.

A utilização noutros ambientes além dos descritos pode aumentar a necessidade de manutenção do equipamento. A admissão de ar da unidade deve situar-se numa área bem ventilada para evitar poluentes existentes no ar e/ou fumos.

## **6.3 Configurar o concentrador**

1. Ligue o fio eléctrico a uma tomada eléctrica.
2. Ligar o humidificador (caso tenha sido recebido).

### **6.3.1 Configurar o humidificador**



### **ADVERTÊNCIA!**

#### **Risco de lesões ou danos**

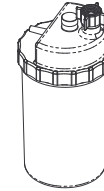
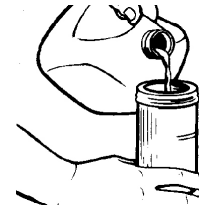
Para evitar queimaduras devido ao vapor ou água quente, a inalação de água e/ou danos causados pela água no concentrador:

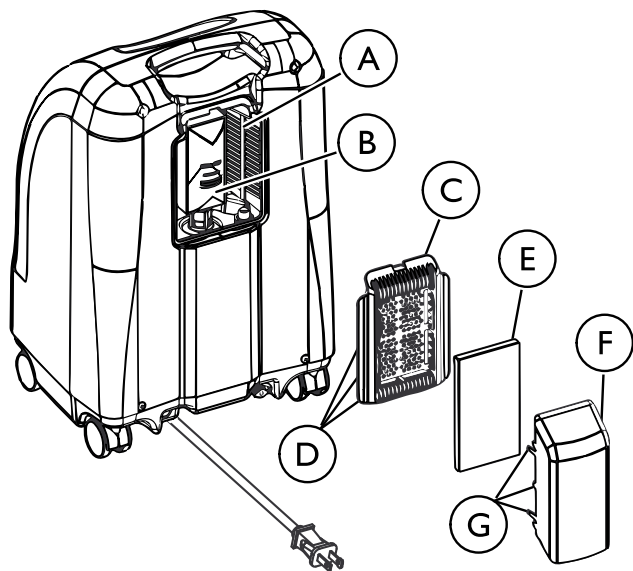
- **NÃO** encha o frasco do humidificador com água quente. Deixe que a água fervida arrefeça à temperatura ambiente antes de encher.
- **NÃO** encher o humidificador além desse nível.
- Volte a colocar a tampa do humidificador e aperte bem. Confirme que a tampa não está mal roscada ao frasco do humidificador.
- **NÃO** inverta as ligações de entrada e saída de oxigénio. Se as ligações de entrada e saída forem invertidas, a água do frasco do humidificador irá percorrer a cânula de volta ao paciente.
- Quando utilizar ligações de tubos com mais de 2,1 m (7 pés) de comprimento, posicione o humidificador tão próximo do paciente quanto for possível para permitir a saída máxima de humificação.

**ADVERTÊNCIA!****Risco de lesões ou danos**

A instalação incorreta do frasco do humidificador ou de outros acessórios no concentrador terá impacto no fluxo de oxigênio.

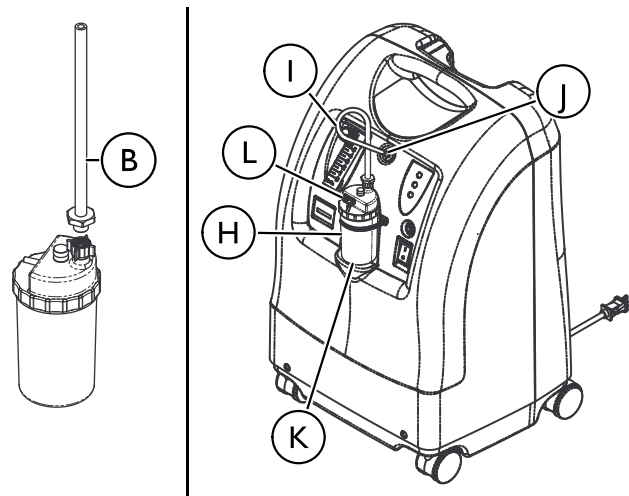
- Para verificar o funcionamento adequado do concentrador de oxigênio e respetivos acessórios, coloque a extremidade da cânula nasal sob a superfície de um copo de água meio-cheio e observe se aparecem bolhas.
- Se não aparecerem bolhas, verifique todas as ligações (incluindo o frasco do humidificador e outros acessórios, se aplicável) e repita. Contacte imediatamente o seu fornecedor do produto ou de serviços se as bolhas continuarem a não aparecer.

**Garrafa humidificador com Cap****Humidificador Garrafa sem Cap**



1. Remova a tampa do frasco.
2. Encha o frasco do humidificador com água da torneira ou engarrafada fervida até ao nível indicado pelo fabricante. Ferva a água da torneira durante cerca de 10 minutos e deixe-a arrefecer à temperatura ambiente antes de a utilizar.
3. Insira uma chave de parafusos de cabeça chata na ranhura da placa B na extremidade superior da porta de acesso do filtro © e retire cuidadosamente a porta de acesso ao filtro.
4. Puxe o adaptador do frasco do humidificador ® (junto do filtro de entrada) para cima e remova-o.


5. Volte a colocar a porta de acesso ao filtro e instale o coletor de ar ƒ na porta de acesso ao filtro inserindo as seis patilhas © no coletor de ar, nas seis ranhuras ƒ nos lados da porta de acesso do filtro.



6. Agarre o adaptador do frasco humidificador ao frasco ƒ humidificador, rodando a porca de asas para a esquerda, no frasco humidificador, até que fique seguramente agarrado.

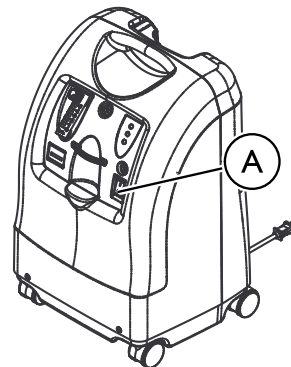
7. Selecione a localização para a unidade do adaptador/frasco do humidificador:

- Quando colocar o frasco do humidificador no compartimento do concentrador, fixe o tubo do adaptador/frasco do humidificador ① ao conector de saída do oxigénio ① no concentrador.
- Para posicionar o frasco do humidificador numa localização ao lado do paciente, coloque a unidade do adaptador/frasco do humidificador no suporte do frasco do humidificador ② (M1521, consulte Acessórios opcionais) e coloque-o numa superfície plana tão próximo do paciente quanto for possível. Encaixe um conector do tubo de oxigénio (MS4301, consulte Acessórios opcionais) à extremidade do tubo do adaptador/frasco do humidificador. Ligue uma extremidade do tubo de abastecimento de oxigénio (MS4107 ou MS4121, consulte Acessórios opcionais) à extremidade livre do conector do tubo de oxigénio e a extremidade oposta ao conector de saída do oxigénio do concentrador.

 Quando utilizar ligações de tubos com mais de 2,1 m (7 pés) de comprimento, posicione o humidificador tão próximo do paciente quanto for possível para permitir a saída máxima de humidificação.

8. Prenda o tubo de abastecimento da cânula nasal do paciente à saída do frasco do humidificador ①.
9. Após a montagem, certifique-se de que o oxigénio está a fluir pela cânula nasal.

### 6.3.2 Ligação do concentrador



1. Prima o interruptor de alimentação ① para a posição On.



Todas as luzes do painel e o alarme sonoro ligar-se-ão durante um segundo, o que indica que a unidade está a funcionar correctamente.



### 6.3.3 Débito

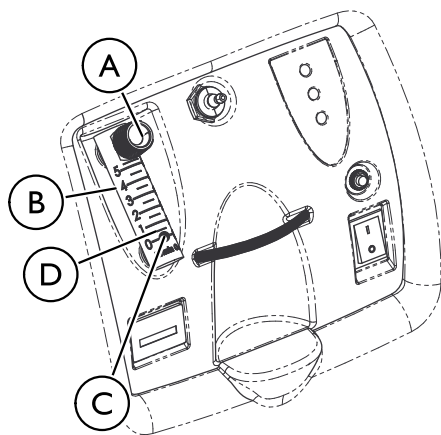


#### ADVERTÊNCIA!

#### Risco de lesões

Para evitar lesões devido a excesso ou insuficiência de oxigénio:

- NÃO alterar a definição dos l/min no debitómetro, a não ser que o seu médico ou terapeuta tenham feito alguma alteração.



Não defina o fluxo a um nível superior ao anel VERMELHO. Qualquer fluxo de oxigénio superior a 5 l/min irá diminuir a concentração de oxigénio.

1. Rode o botão (A) do débito para o valor recomendado pelo seu médico ou terapeuta.



Para ler correctamente o debitómetro (B), localizar a linha do débito recomendado. Em seguida, rodar o botão do débito até a bola se elevar até à linha. Agora, centrar a bola (C) na linha dos l/min prescrita.

2. Se a taxa de fluxo no medidor de fluxo descer abaixo dos 0,5 l/min (D) durante mais de um minuto, o Alerta de obstrução potencial é emitido. Este é um alarme sonoro rápido. Inspeccione o tubo e os acessórios, verificando se o tubo está bloqueado ou dobrado ou se o frasco humidificador apresenta algum defeito. Depois de a taxa de fluxo ser restaurada para níveis entre 0,5 l/min e 0,75 l/min, o Alerta de obstrução potencial é desactivado.



A utilização de certos acessórios, tais como o Medidor de fluxo pediátrico PreciseRx™ e o Compressor HomeFill irão desactivar o Alerta de obstrução potencial.

### 6.3.4 Indicador da Pureza do Oxigénio SensO<sub>2</sub>

Esta função monitoriza a pureza do oxigénio produzido pelo concentrador de oxigénio. Se a pureza baixar para um valor abaixo dos padrões predefinidos na fábrica, os indicadores luminosos no painel de controlo acendem-se.

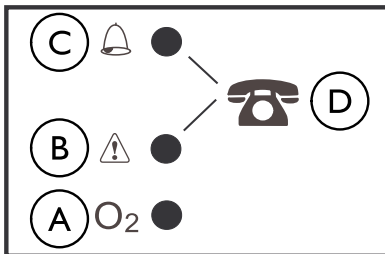
### 6.3.5 Ligação inicial do concentrador



O concentrador pode ser usado durante o período de aquecimento inicial (aproximadamente 30 min), enquanto se espera que a pureza do O<sub>2</sub> atinja o máximo.

Quando a unidade estiver ligada, o indicador luminoso VERDE acende-se (SISTEMA OK/O<sub>2</sub> superior a 85%). Após cinco minutos, o sensor de oxigénio funcionará normalmente e controlará os indicadores luminosos com base nos valores das concentrações de oxigénio.

### 6.3.6 Explicação das Luzes Indicadoras da Pureza do Oxigénio



	Luz	Símbolo	Explicação
Ⓐ	Luz VERDE	(O <sub>2</sub> )	Funcionamento normal
Ⓑ	luz AMARELA		Contacte imediatamente o seu fornecedor. Pode continuar a utilizar o concentrador salvo instruções em contrário do seu fornecedor. Certifique-se de que dispõe de oxigénio de reserva perto de si.
Ⓒ	Luz VERMELHA		Encerramento completo da unidade. Passe imediatamente para o abastecimento de oxigénio de reserva e contacte o seu fornecedor.
Ⓐ/Ⓑ	Luz VERDE com luz AMARELA intermitente	(O <sub>2</sub> ) e	Contacte imediatamente o seu fornecedor. O sensor do oxigénio está avariado; pode continuar a utilizar o concentrador.
Ⓓ	—		Call Telefonar ao fornecedor

### 6.3.7 Indicador de tempo decorrido (Contador horário)

O contador horário apresenta o número cumulativo de horas de funcionamento da unidade. Consulte o tópico Identificação dos componentes para obter informações sobre localizações específicas.

## 7 Manutenção

### 7.1 Limpar o compartimento



#### **PERIGO!**

##### **Risco de lesões ou danos**

Os concentradores de oxigénio da Invacare foram concebidos especificamente para reduzir a manutenção preventiva de rotina. Para evitar lesões ou danos:

- Apenas o pessoal qualificado deve efetuar operações de manutenção preventiva no concentrador de oxigénio.
- NÃO retire o compartimento.



#### **PERIGO!**

##### **Risco de lesões ou danos**

Os líquidos poderão danificar os componentes internos do concentrador. Para evitar danos ou lesões devido a choque eléctrico:

- Desligue o concentrador e desligue o cabo de alimentação da tomada antes de proceder à limpeza.
- NÃO permita que nenhum agente de limpeza penetre nas aberturas de entrada e saída de ar.
- NÃO pulverize nem aplique qualquer agente de limpeza directamente no compartimento.
- NÃO lave o produto com uma mangueira.



#### **ATENÇÃO!**

##### **Risco de danos**

Agentes químicos agressivos podem danificar o concentrador. Para evitar danos:

- NÃO limpe o compartimento, saco de transporte ou filtro com álcool e produtos à base de álcool (álcool isopropílico), produtos concentrados à base de cloro (cloreto etileno) e produtos à base de óleo (Pine-Sol®, Lestoil®) ou quaisquer outros agentes químicos agressivos. Use apenas detergente líquido da loiça suave (tal como Dawn™).



Pelo menos, a manutenção preventiva TEM de ser efectuada de acordo com as directrizes do registo da manutenção. Em locais com muita poeira ou fuligem, pode ser necessário realizar a manutenção mais frequentemente. Consulte a Lista de verificação de manutenção.

Limpe periodicamente o compartimento do concentrador do seguinte modo:

1. Use um pano húmido ou esponja com um detergente suave, tal como detergente da loiça Dawn™ para limpar cuidadosamente a caixa exterior.
2. Deixe o concentrador secar ao ar ou utilize uma toalha seca, antes de o utilizar.

## 7.2 Limpeza do filtro do compartimento



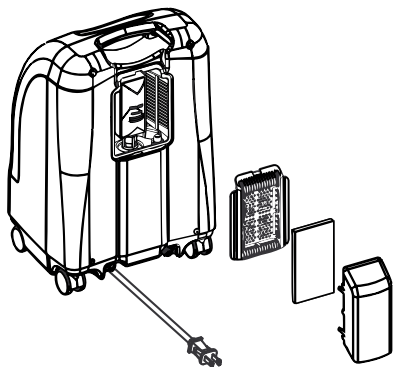
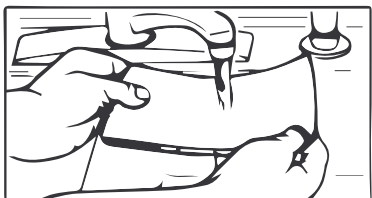
### **ATENÇÃO!** **Risco de danos**

Para evitar danos devido a obstrução:

- NÃO utilize o concentrador sem que o filtro de entrada de ar esteja instalado.



Existe um filtro do compartimento localizado na parte posterior do compartimento.



1. Remova o filtro e limpe-o consoante a necessidade.



As condições ambientais que exigem a inspeção e limpeza mais frequentes do filtro incluem: muito pó, poluentes do ar, etc.

2. Limpe o filtro de gabinete com um aspirador de pó ou lavar com um detergente suave prato líquido (tais como Dawn™) e água. Enxaguar abundantemente.
3. Seque o filtro e verifique a existência de desgaste, esfarelamentos, rasgões e buracos. Caso encontre algum dano, substitua o filtro.
4. Reinstale o filtro do compartimento.

### 7.3 Limpeza e desinfecção térmica do humidificador



Limpe e desinfete o humidificador de oxigênio diariamente para reduzir os depósitos de calcário e eliminar a possível contaminação por bactérias. Siga as instruções fornecidas pelo fabricante. Se não tiverem sido fornecidas nenhuma, siga estes passos:

1. Lave o humidificador em água com sabão e enxague com uma solução que inclui dez partes de água e uma parte de vinagre.
2. Enxague bem com água quente.
3. Seque bem ao ar.



Para limitar o crescimento das bactérias, após limpar, seque bem o humidificador ao ar quando este não estiver a ser utilizado. Consulte a Configuração para utilização.

### 7.4 Limpeza e desinfecção entre pacientes



#### **ADVERTÊNCIA!**

#### **Risco de lesões ou danos**

Para evitar lesões de infeções ou danos no concentrador:

- Apenas pessoal qualificado deve realizar a limpeza e desinfecção do concentrador de oxigênio e respetivos acessórios entre pacientes.



Siga as instruções para eliminar a eventual troca de agentes patogénicos entre pacientes devido à contaminação de componentes ou acessórios. Se necessário, também devem ser realizadas nesta altura as operações de Manutenção preventiva.


1. Elimine e substitua todos os acessórios do lado do paciente desadequados para várias utilizações pelo paciente, incluindo, mas não se limitando a:
  - Cânula e tubos nasais
  - Máscara
  - Humidificador
2. Efetue os procedimentos de manutenção descritos neste manual e os itens da Lista de verificação de manutenção preventiva.
3. Verifique o concentrador quanto a possíveis danos externos ou sinais de que possa exigir assistência ou reparação.
4. Certifique-se de que o concentrador funciona corretamente e que todos os alarmes estão operacionais.
5. Antes de voltar a embalar e enviar para um novo paciente, certifique-se de que o conteúdo da embalagem contém o concentrador, o cabo de alimentação, o coletor de entrada de ar, as instruções de montagem, o humidificador, a cânula, os rótulos e o manual de utilização.

## 7.5 Lista de verificação de manutenção preventiva

Nº Modelo:

Nº De Série:

<b>EM CADA INSPEÇÃO</b>							
Registrar a data do serviço							
Registrar as horas decorridas no contador horário							
Limpar o(s) filtro(s) do compartimento							
Verificar a taxa de fluxo prescrita l/min							
<b>DURANTE O PROGRAMA DE MANTUTENÇÃO PREVENTIVA, OU NA MUDANÇA DE DOENTES</b>							
<b>UNIDADES COM O SensO<sub>2</sub> — CADA 26.280 HORAS</b>							
Verificar a concentração de oxigénio*							
Limpar/Substituir o(s) filtro(s) do compartimento							
Verificar/Substituir o filtro HEPA de saída*							
Verificar/Substituir o filtro de entrada do compressor*							
Verificar alarme de perda de energia							

 26.820 horas são equivalentes a uma utilização 24 horas por dia, 7 dias por semana, durante 3 anos.

\*Procedimento a ser realizado por um fornecedor ou técnico de assistência qualificado. Consulte o manual de assistência.

## 8 Após a utilização

### 8.1 Informações de reciclagem

Este produto foi produzido por um fabricante ambientalmente responsável que cumpre a diretiva relativa a resíduos de equipamento elétrico e eletrônico 2012/19/UE (REEE). Este produto pode conter substâncias que podem ser prejudiciais para o ambiente, se for eliminado em locais (aterros) que não estejam em conformidade com a legislação.

Siga os regulamentos e planos de reciclagem locais relativos à eliminação do concentrador ou de componentes utilizados normalmente durante o funcionamento. O concentrador não gera detritos nem resíduos durante o funcionamento.

- NÃO elimine o concentrador pelo fluxo de resíduos normal.
- Todos os acessórios que não façam parte do concentrador TÊM DE ser manuseados em conformidade com os respetivos sinais sobre eliminação.
- NÃO elimine os packs de baterias internos ou suplementares. Os packs de baterias devem ser devolvidos ao seu agente/fornecedor.

A Invacare® tem empreendido um esforço contínuo para reduzir ao mínimo o impacto local e global da empresa no ambiente. Cumprimos a legislação ambiental vigente (por exemplo, as diretivas REEE e RoHS). Apenas utilizamos materiais e componentes que cumprem a diretiva REACH.

### 8.2 Desgaste

A Invacare reserva o direito de solicitar a devolução de qualquer produto que apresente um alegado defeito de fabrico. Para obter informações específicas da garantia, consulte a Garantia que foi enviada com o produto.

Consulte o Manual de Utilização para obter o programa adequado de manutenção preventiva e utilização do produto.

Estas são apenas diretrizes gerais e não incluem os produtos danificados devido a utilização abusiva e indevida. A vida útil depende de muitos fatores.

Os itens e componentes deste produto que sofrem desgaste natural são listados abaixo.

- Todos os tipos de filtro
- Todos os tipos de tubo
- Todos os tipos de bateria, incluindo de ácido-chumbo/lítio, botão (de relógio) e gel (6 meses)



O filtro é um material de filtragem poroso e é considerado um item que sofre desgaste. Alguns fatores que podem afetar a vida material do filtro incluem a humidade, a temperatura, partículas, contaminantes do ar, a entrada de ar, a vibração e outras condições ambientais.


## 9 Resolução de problemas

### 9.1 Resolução de problemas

SINTOMA	CAUSA PROVÁVEL	SOLUÇÃO
<p><b>Alarme:</b></p> <p>Sinais sonoros curtos, pausa longa</p> <p>O concentrador não funciona, o interruptor de alimentação está Ligado.</p> <p>Bip.....Bip.....</p>	<p><b>Perda de energia principal:</b></p> <ol style="list-style-type: none"> <li>O fio eléctrico não está ligado.</li> <li>A tomada eléctrica não tem corrente.</li> <li>O disjuntor do circuito disparou.</li> </ol>	<ol style="list-style-type: none"> <li>Insira a ficha na tomada.</li> <li>Inspeccione os disjuntores ou fusíveis da casa. Se o problema voltar a ocorrer, utilize outra tomada eléctrica.</li> <li>Pressione/reponha o disjuntor. Se o problema voltar a ocorrer, contacte o fornecedor de serviços.</li> </ol>
<p><b>Alarme:</b></p> <p>Contínuo</p> <p>O concentrador não funciona, o interruptor de alimentação está Ligado.</p> <p>Biiiiiiip....</p>	<p><b>Avaria do sistema:</b></p> <ol style="list-style-type: none"> <li>Sobreaquecimento da unidade devido a um bloqueio na admissão de ar.</li> <li>Alimentação insuficiente na tomada.</li> <li>São necessárias reparações internas.</li> </ol>	<ol style="list-style-type: none"> <li> <ol style="list-style-type: none"> <li>Retire e limpe os filtros do compartimento.</li> <li>Afasto o concentrador de oxigénio para uma distância mínima de 30,5 cm das paredes, cortinados ou mobília.</li> </ol> </li> <li>NÃO utilize fios eléctricos de extensão. Mude para outra tomada eléctrica ou outro circuito eléctrico.</li> <li>Contacte o prestador de serviços.</li> </ol>




<b>SINTOMA</b>	<b>CAUSA PROVÁVEL</b>	<b>SOLUÇÃO</b>
<p><b>Alarme:</b></p> <p>A luz AMARELA ou VERMELHA estão acesas.</p> <p>Alarme: Luz VERMELHA ligada contínua</p> <p>* Aplicável apenas aos modelos IRC5PO2AW &amp; IRC5PO2VAW</p>	<p><b>Avaria do sistema:</b></p> <ol style="list-style-type: none"> <li>1. Oxigénio de baixa pureza.*</li> <li>2. Tubo, cânula ou humidificador dobrados ou bloqueados.*</li> <li>3. Debitómetro regulado para 0,5 L/min.*</li> <li>4. Sobreaquecimento da unidade devido a um bloqueio na admissão de ar.</li> <li>5. Alimentação insuficiente na tomada.</li> <li>6. São necessárias reparações internas.</li> </ol>	<ol style="list-style-type: none"> <li>1. Limpe ou substitua os filtros.</li> <li>2. Verifique se existem dobras ou bloqueios. Corrija, limpe ou substitua o artigo. Após a correcção, desligue o Aparelho durante 60 s e depois volte a Ligá-lo.</li> <li>3. Verifique se o medidor de fluxo está definido para 1,0 l/min ou mais. Consulte os Parâmetros de produto típicos.</li> <li>4.             <ol style="list-style-type: none"> <li>a. Retire e limpe os filtros do compartimento.</li> <li>b. Afaste o concentrador para uma distância mínima de 30,5 cm das paredes, cortinados ou mobília.</li> </ol> </li> <li>5. NÃO utilize fios eléctricos de extensão. Mude para outra tomada eléctrica ou outro circuito eléctrico.</li> <li>6. Contacte o prestador de serviços.</li> </ol>
<p>Luz VERDE com luz AMARELA intermitente.</p>	<ol style="list-style-type: none"> <li>1. São necessárias reparações internas.</li> </ol>	<ol style="list-style-type: none"> <li>1. Contacte o prestador de serviços.</li> </ol>

<b>SINTOMA</b>	<b>CAUSA PROVÁVEL</b>	<b>SOLUÇÃO</b>
<p><b>Alarme:</b></p> <p>Rápido</p> <p>Bip....Bip...</p> <p>Bip...Bip</p>	<p><b>Alerta de obstrução potencial</b></p> <ol style="list-style-type: none"> <li>1. Obstrução interna possível no circuito. Tubo, cânula ou humidificador dobrados ou bloqueados.</li> <li>2. Debitómetro regulado para 0,5 L/min</li> </ol>	<ol style="list-style-type: none"> <li>1. Verifique se existem dobras ou bloqueios. Corrija, limpe ou substitua o artigo. Após a correcção, desligue o aparelho durante 60 s e depois volte A LIGÁ-LO.</li> <li>2. Não são recomendados débitos/ taxas de fluxo inferiores a 1 L/min</li> </ol> <p> A utilização do medidor de fluxo pediátrico desactiva o Alerta de obstrução potencial.</p>

## 10 Características técnicas

### 10.1 Parâmetros típicos do produto

Requisitos eléctricos:	230 VAC + 10, -15% (253 VAC/195.5 VAC), 50 Hz
Entrada de corrente nominal:	1,5 A
Nível de som:	40 dBA max
Altitude:	Até 1828 m (6000 pés) acima do nível do mar sem degradação dos níveis de concentração. Utilização não recomendada acima de 1828 m (6000 pés). Intervalo de pressão atmosférica: 101,33 kPa - 81,22 kPa
Níveis da Concentração do Oxigénio de Saída:	87% a 95,6% a 0,5 até 5 L/min 93% ± 3% @ 2 L/min  Níveis de concentração atingidos depois do período de aquecimento inicial (aproximadamente 30 minutos)
Pressão de saída máxima:	34,5 kPa ± 3,45 kPa (5 psi ± 0,5 psi)
Intervalo de débitos:	0,5 a 5 L/min (máximo). Para as taxas/velocidades de fluxo abaixo de 1 L/min, recomendamos a utilização do Acessório Pediátrico para Debitómetro (IRCPF16AW) Invacare.
Alerta de obstrução potencial:	0 L/min a 0,5 L/min O concentrador detecta uma condição que podem indicar uma obstrução potencial do oxigénio debitado. Alerta sonoro intermitente rápido (este alerta é desactivado quando os acessórios são conectados). Poderá estar associado à definição de fluxo de 0,5 L/min ou menos.
Consumo de energia:	Perfecto <sub>2</sub> AW - 300 W @ 5 L/min, 280 W @ 3 L/min Perfecto <sub>2</sub> VAW - 320 W @ 5 L/min

Mecanismo de Alívio da Pressão Operacional a:	241 kPa ± 24,1 kPa (35 psi ± 3,5 psi)
Alteração no débito máximo recomendado quando é aplicada uma pressão retrógrada de 7kPa:	0,7 L/min
Filtros:	Compartimento, HEPA da Saída e Entrada do Compressor
Sistema de segurança:	Encerramento por sobrecarga de corrente ou sobretensão. Encerramento por temperatura elevada do compressor. Alarme de Pressão Elevada com encerramento do compressor. Alarme de Pressão Baixa com encerramento do compressor. Alarme de perda de energia sem pilhas. Alerta de obstrução possível do sistema de oxigénio SensO <sub>2</sub> .
Largura:	38,1 cm ± 1 cm (15 polegadas ± 3/8 polegadas)
Altura:	58,4 cm ± 1 cm (23 polegadas ± 3/8 polegadas)
Profundidade:	30,5 cm ± 1 cm (12 polegadas ± 3/8 polegadas)
Peso:	Perfecto <sub>2</sub> AW Modelos - 20,5 kg ± 1 kg (45 lbs ± 2 lbs) Perfecto <sub>2</sub> VAW Modelos - 18.1 kg ± 1 kg (40 lbs ± 2 lbs)
Peso durante o transporte:	Perfecto <sub>2</sub> AW Modelos - 22.7 kg ± 1 kg (50 lbs ± 2 lbs) Perfecto <sub>2</sub> VAW Modelos - 20.4 kg ± 1 kg (45 lbs ± 2 lbs)
Condições de funcionamento (ambiente):	10°C - 35°C (50°F - 95°F) com uma humidade relativa de 20– 60%
Compartimento:	Compartimento de plástico Resistente ao embate e à chama, que está em conformidade com o UL 94-V0.
Sem AP/APG:	Não é apropriado para utilização na presença de misturas anestésicas inflamáveis.

Listagem regulamentar e de normas:	IEC/EN60601-1, A1, A2 IEC/EN60601-1-2 IEC/EN61000-3-2 IEC/EN61000-3-3, ISO8359 MDD 93/42/EEC, Annex I e IX
Modelos marcados pela CE:	IRC5PO2AW/IRC5PO2VAW
Eléctrico:	Sem fios eléctricos de extensão
Localização:	A uma distância não inferior a 30,5 cm (12 pol.) de qualquer parede, móvel, cortinados ou superfícies semelhantes para assegurar o fluxo de ar suficiente. Evite carpetes espessas, aquecedores, radiadores ou grelhas de ar quente. Colocar apenas sobre o solo. Não colocar em espaços confinados (exemplo: não colocar dentro de armários).
Tubo:	Cânula de 2 m (7 pés) com um tubo à prova de esmagamento, com o máximo de 15 m (50 pés) de comprimento (NÃO comprimir).
Tempo de funcionamento:	Até 24 h por dia
Temperatura recomendada para armazenamento e transporte:	-29 a 65 °C com uma humidade relativa de 15–95%
Ambiente:	Sem fumo e fuligem. Não colocar em espaços restritos (Exemplo: Não meter em armários).
Tempo de funcionamento mínimo:	30 min

# Contenido

Este manual DEBE ser entregado al usuario final. ANTES de usar este producto lea este manual y guárdelo para futuras referencias.

<b>I Generalidades</b>	<b>206</b>
1.1 Símbolos	206
1.2 Utilização prevista	208
1.3 Descripción	208
1.4 Contraindicaciones	209
<b>2 Seguridad</b>	<b>210</b>
2.1 Ubicación de las etiquetas	210
2.2 Linhas de orientação gerais	211
2.3 Interferencias de radiofrecuencia	214
<b>3 Componentes</b>	<b>215</b>
3.1 Identificación de los componentes	215
<b>4 Accesorios</b>	<b>217</b>
4.1 Accesorios opcionales	217
<b>5 Instalación</b>	<b>218</b>
5.1 Desembalagem	218
5.2 Inspeção	218
5.3 Armazenamento	218
<b>6 Utilización</b>	<b>219</b>
6.1 Introdução	219
6.2 Escolher um local	219
6.3 Instalación del concentrador	220
6.3.1 Instalación del humidificador	220
6.3.2 Encendido del concentrador	223
6.3.3 Medidor de flujo	224
6.3.4 Indicador de pureza de oxígeno SensO <sub>2</sub>	224
6.3.5 Arranque inicial del concentrador	224

6.3.6 Explicación de las luces del indicador de pureza del oxígeno	225
6.3.7 Medidor de tiempo transcurrido (Contador horario)	225

<b>7 Mantenimiento</b>	<b>226</b>
7.1 Limpieza de la carcasa	226
7.2 Limpieza del filtro de la carcasa	227
7.3 Limpieza y desinfección térmica del humidificador	228
7.4 Limpieza y desinfección entre pacientes	228
7.5 Lista de control de mantenimiento preventivo	229
<b>8 Después del uso</b>	<b>231</b>
8.1 Información sobre el reciclado	231
8.2 Úsese y tírese	231
<b>9 Solución de problemas</b>	<b>232</b>
9.1 Solución de problemas	232
<b>10 Datos técnicos</b>	<b>235</b>
10.1 Parámetros habituales del producto	235

# I Generalidades

## I.1 Símbolos

En este manual se utilizan símbolos que hacen referencia a peligros o usos poco seguros que pueden provocar lesiones o daños materiales. Consulte en la tabla siguiente el significado de los símbolos.



### ¡PELIGRO!

– PELIGRO Indica una situación que representa un peligro inmediato y, si no se evita, tendrá como consecuencia la muerte o lesiones graves.



### ¡ADVERTENCIA!

– ADVERTENCIA Indica una situación potencialmente peligrosa que, si no se evita, puede tener como consecuencia la muerte o lesiones graves.



### ¡PRECAUCIÓN!

– PRECAUCIÓN Indica una situación potencialmente peligrosa que, si no se evita, puede tener como consecuencia daños materiales y/o lesiones leves.



Proporciona consejos útiles, recomendaciones e información para un uso eficiente y sin problemas.

## Símbolos de la documentación



Lea el manual



No Fumar



No encender fuego



De clase II, con aislamiento doble



Corrente alternada



Equipamento de tipo BF



Reciclar



NO desechar como residuo doméstico



Riesgo eléctrico'



Mantener seco



Representante de la CE



Fabricante



Chame o fornecedor



Este producto cumple con la Directiva 93/42/EEC en lo concerniente a dispositivos médicos.

La fecha de lanzamiento de este producto figura en la declaración de conformidad CE.

Para obtener más información sobre las marcas CE, consulte Parámetros típicos del producto.

### Símbolos del producto





Unidade ligada



Unidade desligada

### Indicadores de O<sub>2</sub>

Símbolo	Pureza del O <sub>2</sub>	Indicadores luminosos (LED)
O <sub>2</sub>	SISTEMA OK O <sub>2</sub> acima de 85%	Indicador luminoso VERDE
	O <sub>2</sub> entre 73% e 85%	Indicador luminoso AMARELO A. AMARELO fixo B. Falha do sensor AMARELO Intermitente Contactar um técnico qualificado.
	FALHA DO SISTEMA O <sub>2</sub> abaixo de 73%	Indicador luminoso VERMELHO Encerramento do Compressor devido ao Alarme Sonoro Contínuo (crivo) Sieve — GARD™



## 1.2 Utilização prevista

O seu concentrador de oxigénio destina-se a uma utilização individual em pacientes com distúrbios respiratórios que precisam de suplementos de oxigénio. O dispositivo não se destina à conservação ou suporte de vida. O concentrador destina-se a ser utilizado em ambiente doméstico ou institucional.



### **¡PELIGRO! RIESGO DE LESIÓN O MUERTE**

Este producto debe emplearse para proporcionar un suplemento de oxígeno y no está indicado como soporte vital. Utilice **EXCLUSIVAMENTE** este producto si el paciente es capaz de respirar de forma espontánea y puede inhalar y exhalar sin la ayuda de una máquina.

- NO conecte el concentrador en paralelo o en serie con otros concentradores de oxígeno u otros dispositivos de oxigenoterapia.



### **¡PELIGRO! RIESGO DE LESIÓN O MUERTE**

En función de su estado de salud, los pacientes con caudales superiores a 5 l/m podrían tener más riesgo de sufrir una lesión grave o incluso la muerte en caso de fallo.

- Comente SIEMPRE este riesgo mayor con su proveedor servicios sanitarios **ANTES** de usar este producto si le han prescrito un caudal superior a 5 l/m.



### **¡PELIGRO! RIESGO DE LESIÓN O MUERTE**

Aunque Invacare se esfuerza por fabricar el mejor concentrador de oxígeno que existe actualmente en el mercado, este concentrador de oxígeno podría no producir oxígeno debido a un fallo de la alimentación o un funcionamiento incorrecto del dispositivo.

- Tenga SIEMPRE a mano un suministro de O<sub>2</sub> de reserva.
- En caso de que el concentrador no produzca oxígeno, emitirá una alarma durante unos instantes para indicar al paciente que cambie a su suministro de O<sub>2</sub> de reserva. Consulte Solución de problemas para obtener más información.



### **¡ADVERTENCIA! RIESGO DE DAÑOS O LESIONES**

La utilización de este producto fuera de los usos y parámetros previstos no se ha verificado y puede provocar daños en el producto, pérdida de funcionalidad o daños personales.

- NO emplee este producto con ninguna otra finalidad que las descritas en las secciones relativas a los parámetros del producto y uso previsto de este manual.

## 1.3 Descripción

El concentrador Invacare Perfecto<sub>2</sub> lo usan pacientes con problemas respiratorios que necesitan un suplemento de oxígeno. El dispositivo no está indicado como soporte vital.

El nivel de concentración de oxígeno de la salida de gas varía entre un 87 % y un 95,6 %. El oxígeno se suministra al paciente a través de una cánula nasal.

El concentrador Invacare Perfecto<sub>2</sub> utiliza un tamiz molecular y una metodología de adsorción de oscilación de presión para producir la salida de oxígeno. El aire ambiente entra en el dispositivo, se filtra y, continuación, se comprime. Este aire comprimido se dirige, a continuación, hacia uno de los dos tamices de adsorción de nitrógeno.

El oxígeno concentrado sale por el extremo contrario del tamiz activo y se dirige a un depósito de oxígeno donde se administra al paciente.

El paciente puede utilizar el concentrador Invacare Perfecto<sub>2</sub> en un entorno doméstico o sanitario. El dispositivo funciona con una alimentación nominal de 230 VCA/50 hercios.



Los parámetros de funcionamiento de ambos modelos de concentradores (IRC5PO2AW y IRC5PO2VAW) son idénticos, salvo el peso del producto y el consumo eléctrico. Consulte Parámetros típicos del producto.

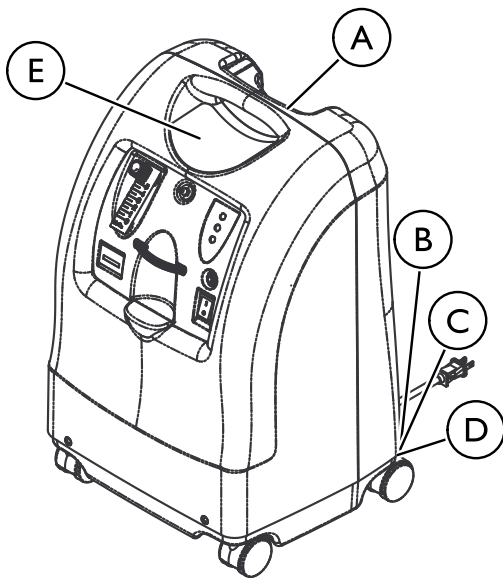
La información de asistencia técnica solo se facilitará al personal técnico cualificado si lo solicita.

## 1.4 Contraindicaciones

Invacare no tiene conocimiento de la existencia de contraindicaciones para la serie de concentradores Invacare Perfecto<sub>2</sub>.

## 2 Seguridad

### 2.1 Ubicación de las etiquetas



A	La etiqueta del número de serie está situada en el montaje de entrada del resonador.
B	La etiqueta de especificación está situada en la parte posterior del concentrador en la base.
C	La etiqueta de Representante en la UE está situada en la base.

D	<p>La etiqueta de Ftalato está situada en la base.</p> <div style="border: 1px solid black; border-radius: 20px; padding: 10px; margin: 10px 0;"> <p style="text-align: center;"><b>Perfecto<sub>2</sub>™</b></p> <p style="text-align: center;">CONSULTE EL MANUAL DEL USUARIO O PÓNGASE EN CONTACTO CON SU PROVEEDOR DE EQUIPOS DOMÉSTICOS PARA OBTENER INSTRUCCIONES SOBRE UN MANEJO SEGURO, LAS ALARMAS, LAS ALERTAS SONORAS Y EL USO DE LOS ACCESORIOS.</p> <hr/> <p><b>⚠ PELIGRO</b> RIESGO DE INCENDIO: PROHIBIDO FUMAR O UTILIZAR LLAMAS ABIERTAS O PRODUCTOS INFLAMABLES</p> <p>Mantenga CUALQUIER producto inflamable fuera de la estancia en la que se encuentre el dispositivo y alejado de las zonas en las que se administre oxígeno. Las telas, el aceite y otros combustibles se inflaman fácilmente y se queman con gran intensidad en un ambiente con elevada carga de oxígeno.</p> <p><b>⚠ PELIGRO</b> RIESGO DE DESCARGA ELÉCTRICA </p> <p>NO retire la funda. Para cualquier operación de mantenimiento recurra al personal de servicio cualificado.</p> <p style="text-align: right;">HomeFill® II Compatible</p> </div>
E	<div style="border: 1px solid black; border-radius: 20px; padding: 10px; margin: 10px 0;"> <p style="text-align: center;"><b>Perfecto<sub>2</sub>™ V</b></p> <p style="text-align: center;">CONSULTE EL MANUAL DEL USUARIO O PÓNGASE EN CONTACTO CON SU PROVEEDOR DE EQUIPOS DOMÉSTICOS PARA OBTENER INSTRUCCIONES SOBRE UN MANEJO SEGURO, LAS ALARMAS, LAS ALERTAS SONORAS Y EL USO DE LOS ACCESORIOS.</p> <hr/> <p><b>⚠ PELIGRO</b> RIESGO DE INCENDIO: PROHIBIDO FUMAR O UTILIZAR LLAMAS ABIERTAS O PRODUCTOS INFLAMABLES</p> <p>Mantenga CUALQUIER producto inflamable fuera de la estancia en la que se encuentre el dispositivo y alejado de las zonas en las que se administre oxígeno. Las telas, el aceite y otros combustibles se inflaman fácilmente y se queman con gran intensidad en un ambiente con elevada carga de oxígeno.</p> <p><b>⚠ PELIGRO</b> RIESGO DE DESCARGA ELÉCTRICA </p> <p>NO retire la funda. Para cualquier operación de mantenimiento recurra al personal de servicio cualificado.</p> <p style="text-align: right;">HomeFill® II Compatible</p> </div>

## 2.2 Linhas de orientação gerais

De forma a poder garantir uma instalação, montagem e funcionamento seguros do concentrador Perfecto<sub>2</sub>, TÊM de ser seguidas estas instruções.



### ¡PELIGRO!

#### Riesgo de daños, lesiones o muerte

Un uso incorrecto del producto puede provocar lesiones, daños e incluso la muerte. Esta sección presenta información importante relativa al uso y manejo seguros de este producto.

- NO utilice este producto ni cualquier otro equipo opcional disponible sin antes haber leído y comprendido estas instrucciones y cualquier otro material informativo adicional, como manuales del usuario, manuales de servicio u hojas de instrucciones, proporcionados con este producto o equipo opcional.
- Si tiene alguna duda relacionada con las advertencias, precauciones o instrucciones, póngase en contacto con un profesional sanitario, su distribuidor o un técnico antes de intentar utilizar este equipo.
- Compruebe TODOS los componentes externos y el embalaje en busca de daños. En caso de daños o si el producto no funciona correctamente, póngase en contacto con un técnico o con Invacare para su reparación.
- LA INFORMACIÓN DE ESTE DOCUMENTO ESTÁ SUJETA A CAMBIOS SIN PREVIO AVISO.



### ¡PELIGRO!

#### Riesgo de daños, lesiones o muerte por incendio

Los tejidos, las sustancias que contienen aceite o petróleo, la grasa, las sustancias oleosas y otros combustibles se inflaman fácilmente y arden con gran intensidad en entornos con elevadas cargas de oxígeno y al entrar en contacto con oxígeno bajo presión. Para evitar daños, lesiones o la muerte por un incendio:

- NO FUME mientras utilice este dispositivo.
- NO utilice el dispositivo cerca del FUEGO o FUENTES DE IGNICIÓN.
- NO utilice lubricantes en el concentrador salvo recomendación de Invacare.
- Los carteles de NO FUMAR deben exponerse de manera destacada.
- Evite que se produzcan chispas cerca de los equipos de oxígeno, incluidas las chispas generadas por electricidad estática que pueden crearse por algún tipo de fricción.
- Mantenga las cerillas, cigarrillos encendidos u otros productos inflamables fuera de la estancia en la que se encuentre el concentrador y alejados del lugar en que se administre oxígeno.
- Mantenga los tubos de oxígeno, el cable y el concentrador alejados de mantas, colchas, cojines, ropa y superficies calientes, como calentadores, estufas y equipos eléctricos similares.



### ¡PRECAUCIÓN!

De acuerdo con la legislación federal, este dispositivo solo puede venderse bajo la prescripción de un médico autorizado con arreglo a las leyes de la institución gubernamental en la que ejerce su actividad profesional.

- SOLO un profesional médico autorizado puede prescribir la compra o el uso de este dispositivo.



### ¡PELIGRO!

#### **Riesgo de daños, lesiones o la muerte por descarga eléctrica**

Para reducir el riesgo de quemaduras, electrocución, lesiones personales o muerte:

- NO desmonte el producto. Para cualquier operación de mantenimiento recurra al personal de servicio cualificado. Este dispositivo no contiene piezas que el usuario pueda reparar.
- Evite usar el dispositivo mientras se baña. Si es necesario su uso continuado por prescripción facultativa, el concentrador debe situarse en otra sala, a una distancia mínima de 2,5 m del baño.
- NO entre en contacto con el concentrador mientras esté mojado.
- NO sitúe ni guarde el concentrador en lugares donde pueda caer al agua u otros líquidos.
- NO intente recuperar el concentrador si se ha caído al agua. Desenchúfelo INMEDIATAMENTE.
- No utilice cables adaptadores de CA que presenten fisuras o estén dañados.



### ¡ADVERTENCIA!

#### **RIESGO DE DAÑOS O LESIONES**

- Los productos Invacare están específicamente diseñados y fabricados para utilizarse con los accesorios Invacare. Invacare no ha probado los accesorios diseñados por otros fabricantes y, por consiguiente, no se recomienda su uso con los productos Invacare.
- Existen muchos tipos diferentes de humidificadores, tubos de oxígeno, cánulas y máscaras que se pueden utilizar con este dispositivo. Debe ponerse en contacto con su proveedor de asistencia domiciliaria local para que le recomiende cuáles de estos dispositivos resultarán más adecuados para usted. El proveedor también deberá darle consejo sobre el uso, mantenimiento y limpieza adecuados.



### ¡PELIGRO!

#### **Riesgo de lesión o muerte**

Para evitar el riesgo de asfixia o la ingestión de productos químicos por contaminación del aire:

- NO utilice el concentrador en presencia de contaminantes, humo, gases, anestésicos inflamables, productos de limpieza o vapores químicos.

**¡ADVERTENCIA!****Riesgo de lesión o muerte**

Para evitar lesiones o la muerte por un mal uso del producto:

- Mantenga una estrecha supervisión cuando este producto se utilice en presencia de niños o individuos con limitaciones físicas.
- Supervise a los pacientes que utilicen este dispositivo y que no puedan oír o ver las alarmas o comunicar molestias.

**¡ADVERTENCIA!****Riesgo de lesión o muerte**

Para evitar el riesgo de asfixia o estrangulación a causa de que los tubos se enreden:

- Mantenga a los niños y las mascotas lejos de la cánula nasal y los tubos.
- Es necesario supervisar de cerca a los pacientes que utilicen cánulas nasales si son o están cerca de niños o personas discapacitadas.

**¡ADVERTENCIA!****Riesgo de lesión o muerte**

Para reducir el riesgo de lesiones o muerte por enfermedad:

- Sustituya periódicamente la cánula nasal.  
Comuníquese con el proveedor del equipo o el médico para determinar la frecuencia con la que debe sustituirse la cánula.
- NO utilice la misma cánula con diferentes pacientes.

**¡ADVERTENCIA!****Riesgo de lesiones**

Los cambios de altitud pueden afectar a la cantidad total de oxígeno disponible. Para evitar la privación de oxígeno:

- Consulte a su médico antes de viajar a altitudes más altas o bajas a fin de determinar si deben modificarse los ajustes de flujo.

**¡ADVERTENCIA!****Riesgo de daños o lesiones**

Para evitar lesiones o daños por un mal uso del cable:

- NO desplace ni reubique el concentrador tirando del cable.
- NO utilice cables de extensión con los adaptadores de corriente CA proporcionados.
- Guarde y distribuya correctamente los cables eléctricos y/o los tubos para evitar tropiezos.

**¡ADVERTENCIA!****Riesgo de daños o lesiones**

Para evitar lesiones o daños por un mal uso:

- NUNCA deje sin vigilancia el concentrador cuando esté enchufado.
- Asegúrese de apagar el concentrador cuando no esté en funcionamiento.
- El uso en exteriores DEBE realizarse exclusivamente con la batería interna o una batería suplementaria.

**¡ADVERTENCIA!****Riesgo de daños o lesiones**

Los concentradores de oxígeno de Invacare se han diseñado específicamente para reducir al mínimo el mantenimiento preventivo rutinario. Para evitar lesiones o daños:

- Solo los profesionales sanitarios o las personas totalmente versadas en este proceso, como el personal formado en fábrica, deben realizar las tareas de mantenimiento preventivo o los ajustes de rendimiento del concentrador de oxígeno, a excepción de las tareas que se describen en este manual.
- Para realizar tareas de mantenimiento, los usuarios deben ponerse en contacto con su distribuidor o con el representante local de Invacare.

**¡PRECAUCIÓN!****Riesgo de daños**

Para evitar daños por la entrada de líquidos:

- Si el concentrador no funciona correctamente, si se ha caído o ha sufrido daños, o si se ha caído al agua, llame al proveedor del equipo o a un técnico cualificado para que lo revise y repare.
- NUNCA introduzca o deje caer ningún objeto o líquido por las aberturas.
- Invacare recomienda que no se utilice el concentrador bajo la lluvia.

## 2.3 Interferencias de radiofrecuencia

**¡ADVERTENCIA!****Riesgo de daños o lesiones**

Para reducir el riesgo de lesiones o daños en el producto debido a interferencias con el equipo inalámbrico:

- Mantenga el concentrador al menos a 3 metros (9,8 pies) de distancia de equipos de comunicación inalámbricos, por ejemplo dispositivos inalámbricos caseros, teléfonos móviles, teléfonos inalámbricos y su base, walkie-talkies, etc.

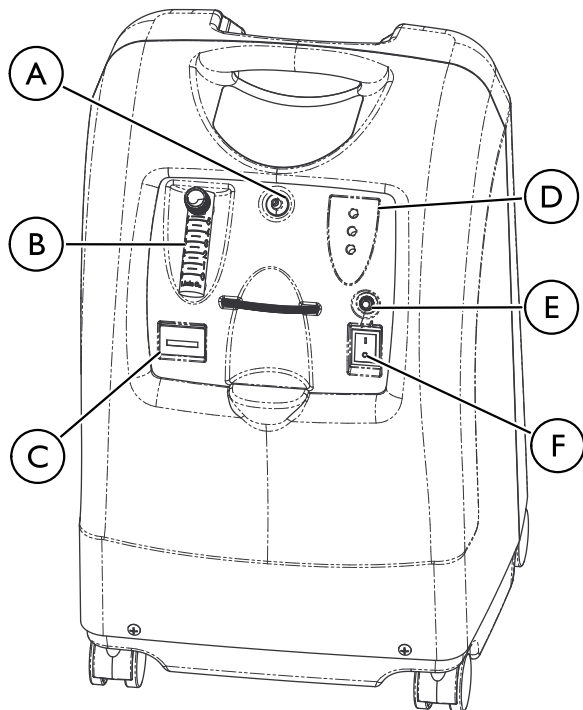
Este equipo se ha probado y cumple con los límites de EMC establecidos por IEC/EN 60601-1-2. Estos límites están diseñados para ofrecer una protección razonable frente a las interferencias electromagnéticas en un entorno médico común.

Otros dispositivos pueden sufrir interferencias incluso por emisiones electromagnéticas de bajo nivel permitidas por las normativas mencionadas anteriormente. Para determinar si las emisiones del concentrador están causando interferencias, apague el concentrador. Si se interrumpe la interferencia con el otro dispositivo, entonces el concentrador era la causa de dicha interferencia. En esos casos excepcionales, la interferencia se puede reducir o corregir mediante una de las siguientes medidas:

- Cambie de ubicación el equipo o aumente la separación entre los dispositivos.
- Conecte el equipo a una toma de corriente que se encuentre en un circuito diferente al del otro dispositivo.

## 3 Componentes

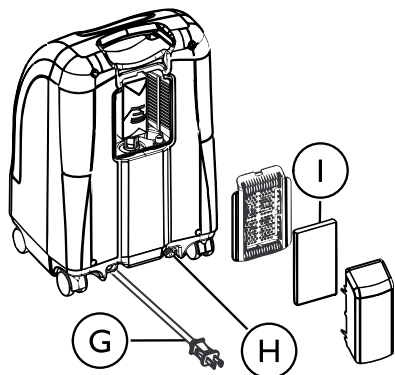
### 3.1 Identificación de los componentes



(A)	Saída de oxigénio
(B)	Debitómetro
(C)	Luzes Indicadoras da Pureza do Oxigénio / Luzes Indicadoras de Falha e Energia
(D)	Interruptor de alimentação
(E)	Disjuntor do circuito
(F)	Interruptor de alimentação



## Vista trasera



Ⓒ	Fio eléctrico
Ⓓ	Montaje de salida HomeFill
Ⓘ	Filtro do compartimento

**i** El montaje de salida HomeFill **Ⓓ** está diseñado exclusivamente para rellenar botellas de oxígeno mediante el compresor de oxígeno doméstico HomeFill. El montaje de salida no afecta al rendimiento del concentrador. Consulte en el manual del usuario de HomeFill las instrucciones de conexión y funcionamiento. Cuando no se utilice, el enchufe suministrado con el concentrador se debe insertar en el montaje de salida. Para obtener más información sobre la unidad HomeFill, póngase en contacto con el distribuidor de Invacare.

---

## 4 Accesorios

---

### 4.1 Accesorios opcionales

Existen muchos tipos diferentes de humidificadores, tubos de oxígeno, cánulas y máscaras que se pueden utilizar con este dispositivo. Debe ponerse en contacto con su proveedor de asistencia domiciliar local para que le recomiende cuáles de estos dispositivos resultarán más adecuados para usted. El proveedor también deberá darle consejo sobre el uso, mantenimiento y limpieza adecuados.

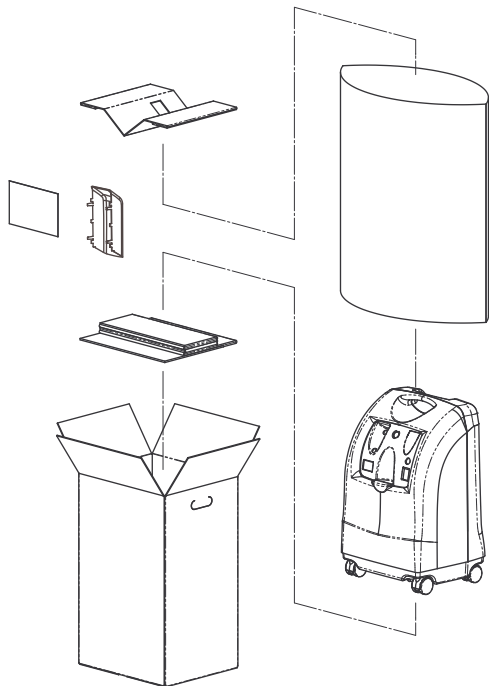
Los accesorios de suministro (cánula nasal, máscara, tubos, humidificador, etc.) utilizados para administrar oxígeno al paciente deben incluir un dispositivo para reducir la propagación del fuego por los accesorios para la seguridad del paciente y los demás. Si para la instalación de los accesorios se usa un dispositivo de venta comercial de interrupción del flujo que se active ante la presencia de fuego, se deberá colocar tan cerca del paciente como sea posible.

Los accesorios y repuestos opcionales que se enumeran a continuación también están disponibles:


- Cánula nasal para adultos estándar, 2,1 m (7 pies) - M3120
- Humidificador estándar - N° de referencia de Invacare: 1155719
- Accesorio humidificador/caudalímetro pediátrico PreciseRX™ - IRCPF16AW
- Compresor de oxígeno doméstico HomeFill - IOH200AW
- Soporte de botella de humidificador - M1521
- Tubos de suministro de oxígeno, 2,1 m (7 pies) - MS4107
- Tubos de suministro de oxígeno, 6,3 m (21 pies) - MS4121
- Conector de tubo de oxígeno - MS4301

## 5 Instalación

### 5.1 Desembalagem



1. Verifique se existem danos evidentes na caixa de cartão ou no conteúdo. Se os danos forem evidentes, informe a transportadora ou o seu revendedor local.
2. Retire todos os materiais de protecção soltos da caixa de cartão.
3. Retire con cuidado todos los componentes de la caja.

 Salvo que el concentrador de oxígeno vaya a emplearse de FORMA INMEDIATA, déjelo en su embalaje hasta que tenga que utilizarse.

### 5.2 Inspeção

1. Inspeccione/examine el exterior del concentrador para comprobar que no presenta muescas, abolladuras, grietas, arañazos u otros daños.
2. Inspeccione todos os componentes.

### 5.3 Armazenamento

1. Guarde o concentrador de oxigénio dentro da caixa de cartão, numa área seca.
2. NÃO coloque objectos sobre a caixa de cartão com o concentrador.

## 6 Utilización

### 6.1 Introdução

Su concentrador de oxígeno está diseñado para el uso individual en interiores. um aparelho electrónico que separa o oxigénio do ar ambiente. Permite administrar uma concentração de oxigénio elevada directamente através de uma cânula nasal. Estudos clínicos demonstraram que os concentradores de oxigénio são equivalentes, do ponto de vista terapêutico, a outros sistemas de administração de oxigénio.

O seu prestador de cuidados de saúde ensinar-lhe-á como utilizar o concentrador de oxigénio. Se tiver alguma dúvida ou problema com o concentrador de oxigénio, deverá contactar o seu prestador de cuidados de saúde. Este manual do proprietário explica-lhe sobre o seu concentrador e servir-lhe-á de referência durante a utilização do seu concentrador.

### 6.2 Escolher um local



#### ¡ADVERTENCIA!

##### Riesgo de daños o lesiones

Para evitar lesiones o daños por contaminantes y/o gases suspendidos en el aire y para garantizar un rendimiento óptimo:

- Coloque el concentrador en un espacio bien ventilado de forma que la entrada y la salida del aire no queden obstruidas.
- NUNCA bloquee las aberturas de ventilación del concentrador ni lo coloque sobre una superficie blanda, como una cama o un diván, donde estas puedan bloquearse.
- Mantenga las aberturas libres de pelusas, pelos y elementos similares.
- Aleje el concentrador de oxígeno al menos 30,5 cm de las paredes, cortinas y muebles.
- Evite utilizar el concentrador en presencia de contaminantes, humo, gases, anestésicos inflamables, productos de limpieza o vapores químicos.
- Sitúe el concentrador en una zona bien ventilada para evitar que haya contaminantes y/o gases suspendidos en el aire.
- NO lo utilice en el baño.



#### ¡ADVERTENCIA!

##### Riesgo de lesiones

Para evitar lesiones durante la terapia:

- El concentrador de oxígeno DEBE colocarse sobre una superficie plana para su uso.
- NO cambie de ubicación el concentrador de oxígeno mientras esté en uso.

O concentrador de oxigénio pode ser colocado na divisão da casa que for mais conveniente. Os rodízios do concentrador permitem deslocá-lo facilmente de uma divisão para a outra.

Su concentrador de oxígeno funcionará mejor si se utiliza según las condiciones descritas en la tabla siguiente.

Utilização noutros ambientes além dos descritos pode aumentar a necessidade de manutenção do equipamento. A admissão de ar da unidade deve situar-se numa área bem ventilada para evitar poluentes existentes no ar e/ou fumos.

### 6.3 Instalación del concentrador

1. Ligue o fio eléctrico a uma tomada eléctrica.
2. Ligar o humidificador (caso tenha sido recebido).

### 6.3.1 Instalación del humidificador



#### ¡ADVERTENCIA!

#### Riesgo de daños o lesiones

Para evitar quemaduras del vapor o del agua caliente, la inhalación de agua o daños en el concentrador a causa del agua:

- NO llene la botella del humidificador con agua caliente. Deje que el agua hervida se enfríe a temperatura ambiente antes de llenar la botella.
- NO llene demasiado el humidificador.
- Vuelva a colocar la tapa del humidificador y apriétela firmemente. Compruebe que la tapa no está mal enroscada en la botella del humidificador.
- NO intercambie las conexiones de entrada y salida de oxígeno. El agua de la botella del humidificador regresará a través de la cánula hasta el paciente si las conexiones de entrada y salida están intercambiadas.
- Cuando se utilicen conexiones de tubos de más de 2,1 m (7 pies) de longitud, sitúe el humidificador lo más cerca posible del paciente para garantizar el máximo nivel de humidificación.



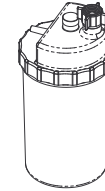
### ¡ADVERTENCIA!

#### Riesgo de daños o lesiones

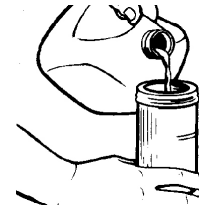
Si no se instala correctamente la botella del humidificador u otros accesorios en el concentrador, se verá afectado el flujo de oxígeno.

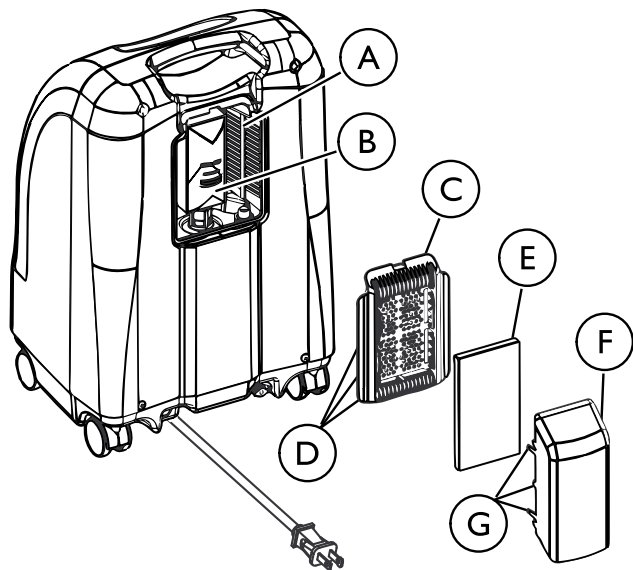
- Para comprobar el correcto funcionamiento del concentrador de oxígeno y sus accesorios, coloque el extremo de la cánula nasal bajo la superficie de media taza de agua y verifique si hay burbujas.
- Si no hay burbujas, compruebe todas las conexiones (incluida la botella del humidificador y otros accesorios, si procede) y repita el proceso. Póngase en contacto con su distribuidor o proveedor de servicios inmediatamente si siguen sin aparecer burbujas.

#### Botella humidificador con el casquillo



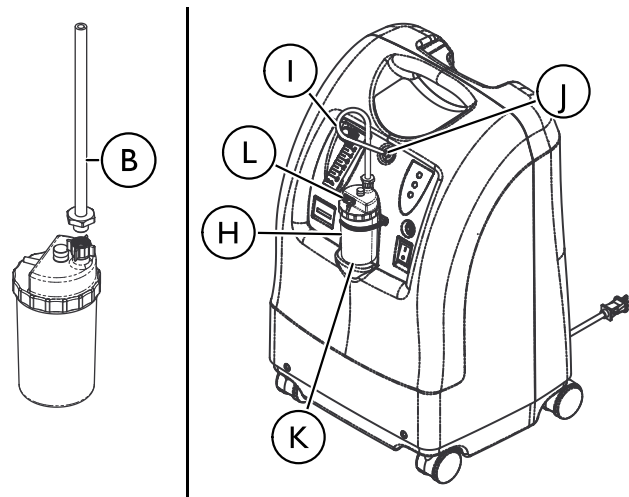
#### Botella humidificador sin Cap





1. Quite la tapa de la botella.
2. Llene la botella del humidificador (A) con agua embotellada o agua del grifo hervida hasta el nivel indicado por el fabricante. Hierva el agua del grifo durante unos 10 minutos y déjela enfriar a temperatura ambiente antes de utilizarla.
3. Inserte un destornillador de cabeza plana en la ranura de la placa B en el borde superior de la puerta de acceso al filtro (C) y haga palanca suavemente para extraer la puerta de acceso al filtro.
4. Tire hacia arriba del adaptador de la botella del humidificador (B) (al lado del filtro de entrada) para extraerlo.


5. Vuelva a colocar la puerta de acceso al filtro e instale la toma de aire (F) en la puerta de acceso al filtro insertando las seis lengüetas (G) en la toma de aire en las seis ranuras (D) situadas a los lados de la puerta de acceso al filtro.



6. Fije el adaptador de la botella del humidificador a la misma girando la tuerca de la botella del humidificador (I) en el sentido contrario a las agujas del reloj hasta que se cierre de forma segura.

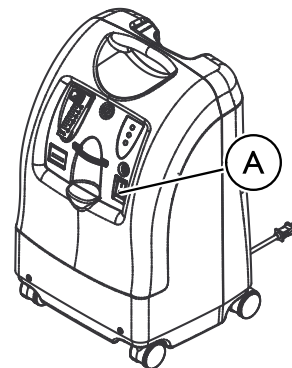
7. Elija la ubicación del montaje de la botella/adaptador del humidificador:

- Cuando coloque la botella del humidificador en el compartimento del concentrador, fije el tubo del conjunto de botella/adaptador del humidificador ① al conector de salida de oxígeno del concentrador ②.
- Para situar la botella del humidificador a un lado del paciente, coloque el montaje de la botella/adaptador del humidificador en el soporte de la botella del humidificador ③ (M1521, consulte Accesorios opcionales) y deposítelo sobre una superficie plana lo más cerca posible del paciente. Fije un conector del tubo de oxígeno (MS4301, consulte Accesorios opcionales) al extremo del tubo del montaje de la botella/adaptador del humidificador. Conecte un extremo del tubo de suministro de oxígeno (MS4107 o MS4121, consulte Accesorios opcionales) al extremo libre del conector del tubo de oxígeno y el extremo opuesto, al conector de salida de oxígeno del concentrador.


 Cuando se utilicen conexiones de tubos de más de 2,1 m (7 pies) de longitud, sitúe el humidificador lo más cerca posible del paciente para garantizar el máximo nivel de humidificación.

8. Fije el tubo de suministro de la cánula nasal del paciente a la salida de la botella del humidificador ④.
9. Después del montaje, asegúrese de que el oxígeno fluya a través de la cánula nasal.

### 6.3.2 Encendido del concentrador



1. Presione el interruptor de alimentación ⑤ en la posición de encendido.

 Todas las luces del panel y la alarma audible se encenderán durante un segundo, indicando que la unidad funciona adecuadamente.



### 6.3.3 Medidor de flujo

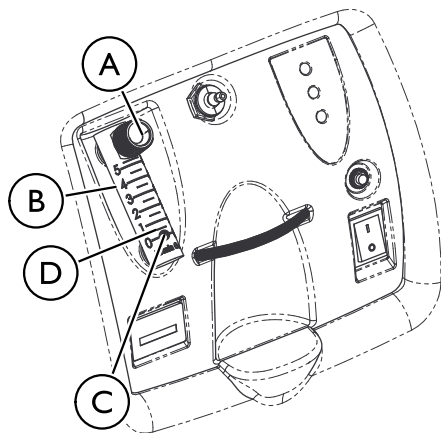


#### ¡ADVERTENCIA!

#### Riesgo de lesiones

Para evitar lesiones por el exceso o la falta de oxígeno:

- NO cambie el ajuste de L/min del medidor de flujo salvo que este cambio se lo haya recetado su facultativo o terapeuta.



No ajuste el flujo por encima del anillo ROJO. Un flujo de oxígeno superior a 5 l/min disminuirá la concentración de oxígeno.

1. Gire el botón **A** del medidor de flujo hasta alcanzar al ajuste recetado por su facultativo o terapeuta.



Para leer adecuadamente el medidor de flujo **B**, localice la línea de flujo recetada en el medidor de flujo. Posteriormente, gire el botón de flujo hasta que la bola **C** se eleve hasta la línea. Ahora, centre la bola en la línea de L/min recetada.

2. Si el caudal que se muestra en el medidor desciende alguna vez por debajo de 0,5 l/min **D** durante más de un minuto aproximadamente, se activará la alerta de posible obstrucción. Se trata de un pitido rápido de alarma sonora. Compruebe los tubos o accesorios en busca de tubos bloqueados o doblados o una botella del humidificador defectuosa. Cuando el caudal vuelva a estar entre 0,5 l/min y 0,75 l/min, la alerta de posible obstrucción se desactivará.



El uso de algunos accesorios, como el caudalímetro para uso pediátrico PreciseRx™ y el compresor HomeFill, desactivarán la alerta de posible obstrucción.

### 6.3.4 Indicador de pureza de oxígeno SensO<sub>2</sub>

Esta propiedad monitoriza la pureza del oxígeno generado por el concentrador de oxígeno. Si la pureza cae por debajo de los estándares preestablecidos en fábrica, las luces del indicador del panel de control se iluminarán.

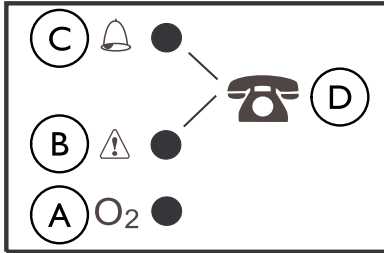
### 6.3.5 Arranque inicial del concentrador



Se puede emplear el concentrador durante el tiempo de calentamiento de arranque inicial (aproximadamente 30 minutos) mientras se espera que la pureza del O<sub>2</sub> alcance el máximo.

Mientras la unidad se encuentra encendida, la luz VERDE permanecerá conectada (SISTEMA OK / O<sub>2</sub> superior al 85%). Tras cinco minutos, el sensor de oxígeno funcionará normalmente y controlará las luces del indicador dependiendo de los valores de concentración de oxígeno.

### 6.3.6 Explicación de las luces del indicador de pureza del oxígeno



	Luz	Símbolo	Explicación
Ⓐ	Luz VERDE	(O <sub>2</sub> )	Funcionamiento normal
Ⓑ	Luz AMARILLA		Llame a su proveedor inmediatamente. Puede seguir usando el concentrador salvo que su proveedor le indique lo contrario. Asegúrese de que tiene a mano un suministro de oxígeno de reserva.
Ⓒ	Luz ROJA		Fallo del sistema. Cambie inmediatamente al suministro de oxígeno de reserva y llame a su proveedor.
ⒶⒷ	Luz VERDE con luz AMARILLA parpadeante.	(O <sub>2</sub> ) y	Llame a su proveedor inmediatamente. El sensor de oxígeno funciona mal; puede seguir usando el concentrador.
Ⓓ	—		Llamar al proveedor

### 6.3.7 Medidor de tiempo transcurrido (Contador horario)

El Contador Horario muestra el número acumulado de horas que lleva funcionando la unidad. Consulte Identificación de los componentes para la ubicación específica.

## 7 Mantenimiento

### 7.1 Limpieza de la carcasa



**¡PELIGRO!**  
**Riesgo de daños o lesiones**

Los concentradores de oxígeno de Invacare se han diseñado específicamente para reducir al mínimo el mantenimiento preventivo rutinario. Para evitar lesiones o daños:

- Solo el personal calificado debe realizar el mantenimiento preventivo del concentrador de oxígeno.
- NO retire la carcasa.



**¡PELIGRO!**  
**Riesgo de daños o lesiones**

Los líquidos pueden dañar los componentes internos del concentrador. Para evitar daños o lesiones por descarga eléctrica:

- Apague el concentrador y desenchufe el cable de alimentación antes de limpiar la unidad.
- NO deje que ningún producto de limpieza penetre por las aberturas de entrada y salida de aire.
- NO pulverice ni aplique agentes de limpieza directamente sobre la carcasa.
- NO vierta agua sobre el producto.



**¡PRECAUCIÓN!**  
**Riesgo de daños**

Los agentes químicos abrasivos pueden dañar el concentrador. Para evitar daños:

- NO limpie la carcasa, la bolsa de transporte ni los filtros con alcohol o productos que lo contengan (alcohol isopropílico), productos concentrados a base de cloro (cloruro de etileno), productos con base de aceite (Pine-Sol®, Lestoil®) o cualquier otro agente químico abrasivo. Utilice solamente lavavajillas líquidos neutros (por ejemplo, Dawn™).



El mantenimiento preventivo DEBE ser realizado en conformidad con las instrucciones del registro de mantenimiento. En los lugares con altos niveles de polvo u hollín, el mantenimiento debe realizarse con mayor frecuencia.

Limpie periódicamente la carcasa del concentrador siguiendo estas instrucciones:

1. Utilice una esponja o un paño húmedo con detergente neutro, por ejemplo Dawn™, y limpie el exterior de la carcasa.
2. Deje que el concentrador se seque al aire, o utilice una toalla seca, antes de ponerlo en funcionamiento.

## 7.2 Limpieza del filtro de la carcasa



### ¡PRECAUCIÓN!

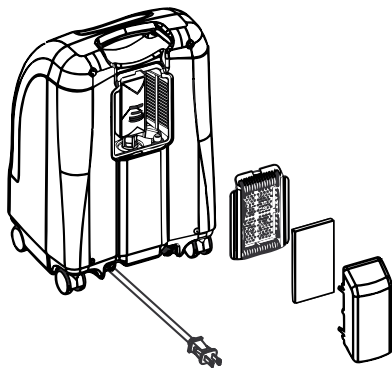
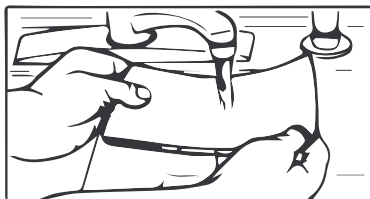
#### Riesgo de daños

Para evitar daños por obstrucción:

- NO ponga en marcha el concentrador sin instalar el filtro de entrada de aire.



Hay un filtro situado en la parte posterior de la carcasa.



1. Retire el filtro y límpielo según sea necesario.



Las condiciones mediomambientales que pueden requerir una inspección y limpieza más frecuentes incluyen, aunque no se limitan a: gran cantidad de polvo, contaminantes del aire, etc.

2. Limpie el filtro de gabinete con una aspiradora o lavar con un detergente suave plato líquido (tales como Dawn <sup>™</sup>) y agua. Enjuague bien.
3. Seque bien el filtro y compruebe que no haya zonas deshilachadas, rotas, agrietadas y agujereadas. Si detecta algún desperfecto, sustituya el filtro.
4. Vuelva a colocar el filtro de la carcasa.

## 7.3 Limpieza y desinfección térmica del humidificador



Limpie y desinfecte el humidificador de oxígeno diariamente para reducir los depósitos de cal y eliminar una posible contaminación bacteriana. Siga las instrucciones proporcionadas por el fabricante. Si no se han proporcionado instrucciones, siga estos pasos:

1. Lave el humidificador con agua y jabón y aclárelo en una solución compuesta por diez partes de agua y una parte de vinagre.
2. Enjuáguelo a fondo con agua caliente.
3. Déjelo secar al aire por completo.



Para limitar el crecimiento bacteriano, deje que el humidificador se seque bien al aire cuando no lo utilice. Consulte la sección Configuración para su uso.

## 7.4 Limpieza y desinfección entre pacientes



### ¡ADVERTENCIA!

#### Riesgo de daños o lesiones

Para evitar infecciones o daños en el concentrador:

- Solo el personal cualificado deberá realizar la limpieza y desinfección del concentrador de oxígeno y de los accesorios entre pacientes.



Siga estas instrucciones para eliminar un posible intercambio de microorganismos patógenos entre pacientes debido a la contaminación de los componentes o accesorios. En este punto, también deberá llevarse a cabo un mantenimiento preventivo si resulta necesario.

1. Deseche y sustituya todos los accesorios del paciente que no estén destinados a utilizarse con varios pacientes, incluidos entre otros:
  - Cánula nasal y tubos
  - Máscara
  - Humidificador
2. Realice los procedimientos de mantenimiento descritos en este manual y los puntos de la Lista de control de mantenimiento preventivo.
3. Compruebe que el concentrador no presenta posibles daños externos ni ningún otro signo que pudiera requerir una reparación.
4. Asegúrese de que el concentrador funcione correctamente y de que todas las alarmas estén en perfecto estado de funcionamiento.
5. Antes de volver a embalar y distribuir el producto a un nuevo paciente, asegúrese de que en la caja se incluya el concentrador, el cable de alimentación, la toma de entrada de aire, las instrucciones de montaje, el humidificador, la cánula, las etiquetas y el manual del usuario.

## 7.5 Lista de control de mantenimiento preventivo

Modelo N°:

N° de serie:

<b>EN CADA INSPECCIÓN</b>							
Registro de fecha de servicio							
Registro de horas transcurridas en el contador horario							
Limpieza del filtro o filtros de la carcasa							
Compruebe el nivel de flujo prescrito L/min							
<b>DURANTE EL MANTENIMIENTO PREVENTIVO PROGRAMADO O ENTRE PACIENTES</b>							
<b>UNIDADES CON SensO<sub>2</sub> — CADA 26.280 HORAS</b>							
Comprobación de la concentración de oxígeno*							
Limpieza/sustitución del filtro o filtro de la carcasa							
Comprobación/sustitución de filtro de salida HEPA*							
Comprobación/sustitución de filtro de entrada del compresor*							
Compruebe la alarma de pérdida de alimentación							



26.820 horas equivalen al uso del dispositivo 24 horas al día, 7 días a la semana, durante 3 años.

\*Esta tarea debe realizarla el proveedor o un técnico de servicio cualificado. Consulte el manual de servicio.

## 8 Después del uso

### 8.1 Información sobre el reciclado

Este producto ha sido suministrado por un fabricante respetuoso con el medio ambiente que cumple lo dispuesto por la directiva Residuos de Aparatos Eléctricos y Electrónicos (RAEE) 2012/19/UE. Este producto puede contener sustancias que podrían ser perjudiciales para el medio ambiente si se desecha en lugares (vertederos) que no sean los idóneos según la legislación.

Siga la normativa local y los planes de reciclado correspondientes a la eliminación del concentrador o los componentes que se utilizan normalmente. El concentrador no genera desechos o residuos durante su uso.

- NO deseche el concentrador en los medios normales de eliminación de residuos.
- Los accesorios que no formen parte del concentrador DEBEN gestionarse según el etiquetado específico del producto relativo a su eliminación.
- NO tire a la basura el bloque de batería interna o suplementaria. Los bloques de baterías deben devolverse al proveedor o distribuidor.

Invacare® trabaja continuamente para garantizar que se reduzca al mínimo el impacto medioambiental de la empresa, tanto a nivel local como global. Cumplimos con la normativa medioambiental actual (por ejemplo, las directivas RAEE y RoHS). Solo utilizamos materiales y componentes que cumplen con las directivas REACH.

### 8.2 Úsese y tírese

Invacare se reserva el derecho de solicitar la devolución de cualquier artículo que tenga un posible defecto de mano de obra. Consulte la

Garantía suministrada con el producto para obtener información específica sobre la garantía.

Consulte en el Manual del usuario la programación de mantenimiento preventivo y el uso adecuados del producto.

Estas son solo unas directrices generales y no incluyen los artículos dañados debido al abuso y mal uso. La vida útil depende de muchos factores.

- Todos los tipos de filtros
- Todos los tipos de tubos
- Todos los tipos de baterías, incluidas las de ácido-plomo/litio, tipo botón (de reloj) y gel (6 meses)



El tamiz es de un material de filtrado poroso y se considera un artículo con desgaste. Entre los factores que podrían afectar a la vida útil del material del tamiz se incluyen la humedad, temperatura, partículas, contaminantes del aire, entrada de aire, vibración y otras condiciones medioambientales.




## 9 Solución de problemas

### 9.1 Solución de problemas


SÍNTOMA	CAUSA PROBABLE	SOLUCIÓN
<p><b>Alarma:</b></p> <p>Pitido corto, pausa larga</p> <p>El concentrador no funciona; el interruptor de alimentación está conectado.</p> <p>Beep.....Beep...</p>	<p><b>Pérdida de alimentación principal:</b></p> <ol style="list-style-type: none"> <li>1. El cable de alimentación no está conectado.</li> <li>2. No hay corriente en la toma.</li> <li>3. Interruptor diferencial activado.</li> </ol>	<ol style="list-style-type: none"> <li>1. Inserte el enchufe en la toma de corriente.</li> <li>2. Inspeccione los interruptores diferenciales de la casa o los fusibles. En caso de que vuelva a ocurrir el problema, use una toma diferente.</li> <li>3. Presione/restablezca el disyuntor. Si vuelve a ocurrir el problema, llame al proveedor del servicio.</li> </ol>
<p><b>Alarma:</b></p> <p>Continuo</p> <p>El concentrador no funciona; el interruptor de alimentación está conectado.</p> <p>Beeeeeeep....</p>	<p><b>Fallo del sistema:</b></p> <ol style="list-style-type: none"> <li>1. Sobrecalentamiento de la unidad debido a una entrada de aire bloqueada.</li> <li>2. Alimentación insuficiente en la salida.</li> <li>3. Son necesarias reparaciones internas.</li> </ol>	<ol style="list-style-type: none"> <li>1.             <ol style="list-style-type: none"> <li>a. Retire y limpie los filtros de la carcasa.</li> <li>b. Aleje el concentrador de oxígeno al menos 12 pulgadas (30 centímetros) de paredes, cortinas o muebles.</li> </ol> </li> <li>2. NO use extensores de cable Muévelo a otra toma eléctrica o circuito.</li> <li>3. Llame al proveedor de servicios.</li> </ol>

SÍNTOMA	CAUSA PROBABLE	SOLUCIÓN
<p><b>Alarma:</b></p> <p>Luz AMARILLA o ROJA iluminada.</p> <p>Alarma: Luz ROJA encendida continua</p> <p>* Sólo se aplica a modelos IRC5PO2AW &amp; IRC5PO2VAW</p>	<p><b>Fallo del sistema:</b></p> <ol style="list-style-type: none"> <li>1. Baja pureza de oxígeno.*</li> <li>2. Tubos, cánula o humidificador doblados o bloqueados.*</li> <li>3. Medidor de flujo establecido en 0.5 L/min.*</li> <li>4. Sobrecalentamiento de la unidad debido a una entrada de aire bloqueada.</li> <li>5. Alimentación insuficiente en la salida.</li> <li>6. Son necesarias reparaciones internas.</li> </ol>	<ol style="list-style-type: none"> <li>1. Limpie o sustituya los filtros.</li> <li>2. Inspeccione en busca de dobleces o bloqueos. Corrija, limpie o sustituya el elemento. Una vez corregido, apague la alimentación durante 60 segundos y posteriormente vuelva a conectarla.</li> <li>3. Compruebe que el caudalímetro está ajustado a 1,0 l/min o más. Consulte Parámetros típicos del producto.</li> <li>4. <ol style="list-style-type: none"> <li>a. Retire y limpie los filtros de la carcasa.</li> <li>b. Aleje el concentrador de oxígeno al menos 12 pulgadas (30 centímetros) de paredes, cortinas o muebles.</li> </ol> </li> <li>5. NO use extensores de cable Muévelo a otra toma eléctrica o circuito.</li> <li>6. Llame al proveedor de servicios.</li> </ol>
<p>Luz VERDE con luz AMARILLA parpadeante.</p>	<ol style="list-style-type: none"> <li>1. Son necesarias reparaciones internas.</li> </ol>	<ol style="list-style-type: none"> <li>1. Llame al proveedor de servicios.</li> </ol>

SÍNTOMA	CAUSA PROBABLE	SOLUCIÓN
<p><b>Alarma:</b></p> <p>Rápido</p> <p>Beep...Beep...</p> <p>Beep...Beep</p>	<p><b>Alerta de posible obstrucción</b></p> <ol style="list-style-type: none"> <li>1. Posible obstrucción interna en la vía de oxígeno. Tubos, cánula o humidificador doblados o bloqueados</li> <li>2. Medidor de flujo establecido en 0.5 L/min</li> </ol>	<ol style="list-style-type: none"> <li>1. Inspeccione en busca de dobleces o bloqueos. Corrija, limpie o sustituya el elemento. Una vez corregido, apague la alimentación durante 60 segundos y posteriormente vuelva a conectarla.</li> <li>2. No se recomiendan niveles de flujos inferiores a 1 L/min.</li> </ol> <p> El uso del caudalímetro para uso pediátrico desactivará la alerta de posible obstrucción.</p>

## I0 Datos técnicos

### I0.1 Parámetros habituales del producto

Requerimientos eléctricos:	230 VAC + 10, -15% (253 VAC/195.5 VAC), 50 Hz
Entrada nominal de corriente:	1.5 A
Nivel de sonido:	40 dBA max
Altitud:	Hasta 1828 metros (6000 pies) por encima del nivel del mar sin degradación de los niveles de concentración. <b>NO SE RECOMIENDA SU USO POR ENCIMA DE LOS 1828 metros (6000 pies).</b> Rango de presión atmosférica: 101,33 kPa - 81,22 kPa
Niveles de concentración de salida de oxígeno:	87% a 95.6% a 0.5 hasta 5 L/min 93% ± 3% a 2 L/min  Los niveles de concentración alcanzados tras el período de calentamiento inicial (unos 30 minutos)
Presión de salida máxima:	34.5 kPa ± 3.45 kPa (5 psi ± 0.5 psi)
Zona de flujo:	0.5 a 5 L/min (máximo). Para caudales inferiores a 1 L/min, recomendamos el uso del accesorio Medidor de Flujo Pediátrico Invacare (IRCPF16AW).
Alerta de posible obstrucción:	0 L/min a 0.5 L/min El concentrador detecta un estado que podría indicar una posible obstrucción de la vía de salida del oxígeno. Alerta con pitido audible rápido (esta alerta se desactiva cuando se conectan los accesorios). Puede tener relación con un ajuste del flujo de 0,5 l/min o inferior.
Consumo eléctrico:	Perfecto <sub>2</sub> AW - 300 W @ 5 L/min, 280 W @ 3 L/min Perfecto <sub>2</sub> VAW - 320 W @ 5 L/min

Mecanismo de liberación de presión operativo a:	24 l kPa ± 24.1 kPa (35 psi ± 3.5 psi)
Cambio en el flujo máximo recomendado cuando se aplica una presión de aspiración de 7kPa:	0.7 L/min
Filtros:	Carcasa, Salida HEPA y entrada del compresor
Sistema de seguridad:	Sobrecarga de corriente o bloqueo por sobretensión. Bloqueo por alta temperatura del compresor. Alarma de alta presión con bloqueo del compresor. Alarma de baja presión con bloqueo del compresor. Alarma de pérdida de alimentación de la batería. Alerta de posible obstrucción del sistema de oxígeno SensO <sub>2</sub>
Anchura:	38.1 cm ± 1 cm (15 in ± 3/8 in)
Altura:	58.4 cm ± 1 cm (23 in ± 3/8 in)
Profundidad:	30.5 cm ± 1 cm (12 in ± 3/8 in)
Peso:	Perfecto <sub>2</sub> AW Modelos - 20.5 kg ± 1 kg (45 lbs ± 2 lbs) Perfecto <sub>2</sub> VAW Modelos - 18.1 kg ± 1 kg (40 lbs ± 2 lbs)
Peso con embalaje:	Perfecto <sub>2</sub> AW Modelos - 22.7 kg ± 1 kg (50 lbs ± 2 lbs) Perfecto <sub>2</sub> VAW Modelos - 20.4 kg ± 1 kg (45 lbs ± 2 lbs)
Condiciones ambientales de funcionamiento:	10°C - 35°C (50°F - 95°F) al 20-60% de humedad relativa
Carcasa:	Carcasa de plástico retardante frente a las llamas y resistente a impactos que cumple con UL 94-V0.
Sin AP/APG	No es adecuada para su uso en presencia de mezclas anestésicas inflamables.

Listado de estándares y normativas:	IEC/EN60601-1, A1, A2 IEC/EN60601-1-2 IEC/EN61000-3-2 IEC/EN61000-3-3, ISO8359 MDD 93/42/EEC, Annex I y IX
Modelo con el marcado CE	IRC5PO2AW/IRC5PO2VAW
Eléctrica:	Sin cables de extensión.
Colocación:	No más cerca de 30,5 cm (12 pulgadas) de cualquier pared, mueble o cortina o superficies similares para garantizar un flujo de aire suficiente. Evite las alfombras mullidas y los calentadores, radiadores o rejillas de aire caliente. Colocar solo en el suelo. No utilizar en espacios cerrados (por ejemplo: en baños).
Tubos:	2 m de cánula con un tubo antiplastamiento de 15 m (NO apretar)
Duración de funcionamiento:	Hasta 24 horas al día
Temperatura recomendada de almacenamiento y transporte:	-29°C a 65°C (-20°F a 150°F) a 15-95% de humedad relativa
Entorno:	Libre de hollín y humos. No emplear en espacios confinados (por ejemplo: no emplear en armarios).
Tiempo operativo mínimo:	30 minutos

## **Customer Service and Warranty Information**

Terms and conditions of the warranty are part of the general terms and conditions particular to the individual countries in which this product is sold.

### **ΠΛΗΡΟΦΟΡΙΕΣ ΕΞΥΠΗΡΕΤΗΣΗΣ ΠΕΛΑΤΩΝ ΚΑΙ ΕΓΓΥΗΣΗΣ**

Oi όροι και προϋποθέσεις της εγγύησης υπόκεινται στους γενικούς όρους και προϋποθέσεις που ισχύουν σε κάθε χώρα όπου πωλείται αυτό το προϊόν.

### **SERVICIO DE ATENCIÓN AL CLIENTE E INFORMACIÓN DE LA GARANTÍA**

Los términos y condiciones de la garantía forman parte de los términos y condiciones generales de cada país donde este producto está a la venta.

### **SERVICE APRÈS-VENTE ET INFORMATIONS DE GARANTIE**

Les modalités et conditions de la garantie font partie des modalités et conditions générales spécifiques aux différents pays de vente du produit.

### **INFORMAZIONI SUL SERVIZIO ASSISTENZA AL CLIENTE E SULLA GARANZIA**

I termini e le condizioni della garanzia sono parte integrante delle condizioni generali e le condizioni specifici per i singoli paesi in cui questo prodotto viene commercializzato.

### **KLANTENSERVICE- EN GARANTIE-INFORMATIE**

De garantievoorwaarden zijn onderdeel van de algemene voorwaarden van de afzonderlijke landen waar dit product wordt verkocht.

### **ASSISTÊNCIA AO CLIENTE E INFORMAÇÃO AO CLIENTE**

Os termos e condições da garantia fazem parte dos termos e condições gerais específicos de cada país em que este produto é vendido.

**Belgium & Luxemburg:** Invacare nv, Autobaan 22, B-8210 Loppem • Tel: (32) (0) 50 83 10 10 • Fax: (32) (0) 50 83 10 11 • [belgium@invacare.com](mailto:belgium@invacare.com) • [www.invacare.be](http://www.invacare.be)

**Danmark:** Invacare A/S, Sdr. Ringvej 37, DK-2605 Brøndby • Tel: (45) (0)36 90 00 00 • Fax: (45) (0)36 90 00 01 • [denmark@invacare.com](mailto:denmark@invacare.com) • [www.invacare.dk](http://www.invacare.dk)

**Deutschland:** Invacare GmbH, Alemannenstraße 10, D-88316 Isny • Tel: (49) (0)75 62 7 00 0 • Fax: (49) (0)75 62 7 00 66 • [kontakt@invacare.com](mailto:kontakt@invacare.com) • [www.invacare.de](http://www.invacare.de)

**Eastern Europe, Middle East & CIS:** Invacare EU Export • Kleiststraße 49 • D-32457 Porta Westfalica • Germany • Tel: (49) 5731 754540 • Fax: (49) 5731 754541 • [webinfo-eu-export@invacare.com](mailto:webinfo-eu-export@invacare.com) • [www.invacare-eu-export.com](http://www.invacare-eu-export.com)

**España:** Invacare SA, c/Areny s/n, Polígon Industrial de Celrà, E-17460 Celrà (Girona) • Tel: (34) (0)972 49 32 00 • Fax: (34) (0)972 49 32 20 • [contactsp@invacare.com](mailto:contactsp@invacare.com) • [www.invacare.es](http://www.invacare.es)

**France:** Invacare Poirier SAS, Route de St Roch, F-37230 Fondettes • Tel: (33) (0)2 47 62 64 66 • Fax: (33) (0)2 47 42 12 24 • [contactfr@invacare.com](mailto:contactfr@invacare.com) • [www.invacare.fr](http://www.invacare.fr)

**Ireland:** Invacare Ireland Ltd, Unit 5 Seatown Business Campus • Seatown Road, Swords, County Dublin – Ireland • Tel: (353) 1 810 7084 • Fax: (353) 1 810 7085 • [ireland@invacare.com](mailto:ireland@invacare.com) • [www.invacare.ie](http://www.invacare.ie)

**Italia:** Invacare Mecc San s.r.l., Via dei Pini 62, I-36016 Thiene (VI) • Tel: (39) 0445 38 00 59 • Fax: (39) 0445 38 00 34 • [italia@invacare.com](mailto:italia@invacare.com) • [www.invacare.it](http://www.invacare.it)

**Nederland:** Invacare AE, Galvanistraat 14–3, NL–6716 BZ Ede • Tel: (31) (0)318 695 757 • Fax: (31) (0)318 695 758 • [nederland@invacare.com](mailto:nederland@invacare.com) • [csede@invacare.com](mailto:csede@invacare.com) • [www.invacare.nl](http://www.invacare.nl)

**Norge:** Invacare AS, Grensesvingen 9, Postboks 6230, Etterstad, N-0603 Oslo • Tel: (47) (0)22 57 95 00 • Fax: (47) (0)22 57 95 01 • [norway@invacare.com](mailto:norway@invacare.com) • [island@invacare.com](mailto:island@invacare.com) • [www.invacare.no](http://www.invacare.no)

**Österreich:** Invacare Austria GmbH, Herzog Odilostrasse 101, A-5310 Mondsee • Tel: (43) 6232 5535 0 • Fax: (43) 6232 5535 4 • [info@invacare-austria.com](mailto:info@invacare-austria.com) • [www.invacare.at](http://www.invacare.at)

**Portugal:** Invacare Lda • Rua Estrada Velha, 949, P-4465-784 Leça do Balio • Tel: (351) (0)225 1059 46/47 • Fax: (351) (0)225 1057 39 • [portugal@invacare.com](mailto:portugal@invacare.com) • [www.invacare.pt](http://www.invacare.pt)

**Sverige:** Invacare AB • Fagerstagatan 9 • S-163 53 Spånga • Tel: (46) (0)8 761 70 90 • Fax: (46) (0)8 761 81 08 • [sweden@invacare.com](mailto:sweden@invacare.com) • [www.invacare.se](http://www.invacare.se)

**Suomi:** Camp Mobility • Patamäenkatu 5, 33900 Tampere • Tel: 09-350 76 310 • [info@campmobility.fi](mailto:info@campmobility.fi) • [www.campmobility.fi](http://www.campmobility.fi)

**Schweiz/Suisse/Svizzera:** Invacare AG • Benkenstrasse 260 • CH-4108 Witterswil • Tel.: (41) (0)61 487 70 80 • Fax.: (41) (0)61 487 70 81 • [switzerland@invacare.com](mailto:switzerland@invacare.com) • [www.invacare.ch](http://www.invacare.ch)

**United Kingdom:** Invacare Limited, Pencoed Technology Park, Pencoed, Bridgend CF35 5HZ • Tel: (44) (0) 1656 776222 • Fax: (44) (0) 1656 776220 • [UK@invacare.com](mailto:UK@invacare.com) • [www.invacare.co.uk](http://www.invacare.co.uk)



Invacare Corporation

USA  
One Invacare Way  
Elyria, Ohio USA  
44035  
440-329-6000  
800-333-6900  
Technical Services  
440-329-6593  
800-832-4707  
[www.invacare.com](http://www.invacare.com)



Manufacturer:  
Invacare Corporation  
2101 E. Lake Mary Blvd.  
Sanford, FL USA 32773  
407-321-5630



Invacare Deutschland GmbH  
Kleiststraße 49  
D-32457 Porta Westfalica  
Germany  
Tel: (49) (0) 5731 754 0  
Fax: (49) (0) 5731 754 52191



1195657-A 2017-04-18



**Making Life's Experiences Possible®**



**Yes, you can.®**