



©2018 Kuschall AG

All rights reserved. Republication, duplication or modification in whole or in part is prohibited without prior written permission from Kuschall AG. Trademarks are identified by TM and ®.

All trademarks are owned by or licensed to Kuschall AG or its subsidiaries unless otherwise noted.



TABLE OF CONTENTS

GENERAL	5
Introduction	5
Spare parts and adaptations	5
Tightening Allen screws	5
Torque	6
Checks	6
Identifying and alleviating malfunctions	6
OVERVIEW	7
Seat width (SB)	7
Seat depth (ST)	7
Front seat height (SHv)	7
Rear seat height (SHh)	7
Seat angle (SW)	7
Backrest height (RH)	8
Backrest angle (RW)	8
Lower leg length (UL)	8
FRAME	9
Mounting frames and seat plates	9
Attaching the quick release frame to the seat plate	11
BACKREST	12
Adjusting the backrest height	13
Setting the backrest angle	13
Adjusting the backrest joint	14
Replacing the backrest tube	14
Replacing the handle	15
Replacing foldable push handles	15
FOOTRESTS	16
Install / replace footrest and adjust height	16
Assembling the foot plate cover	17
Replacing the footplate support	17
Fitting and adjusting high-mounted footrest	17
Attaching the forward footrest	17
Angle-adjustable footplate, adjusting the angle	18
Fitting the fold-up footrest	18
SIDE PARTS	19
Armrest / Siderest	19
Clothes-guard / mudguard	20
FRONT WHEELS	22
Replacing a front wheel	22
Replacing a front wheel fork	22
Checking and adjusting the castor angle	23
Checking and adjusting the drift angle	23
Shift supporter on the frame	24
REAR WHEELS	25
Attach vertical brace to the seat plate	25
Changing the wheel camber / Fitting and adjusting an axle	25
Ensuring the rear wheels are parallel	29
Adjusting the removable axle	29
Repairing or changing an inner tube	30
Repairing or changing a solid tire	30



BRAKES	31
Positioning the parking brake	31
Fitting / adjusting the parking brake	31
OPTIONS & ACCESSORIES.....	32
Antitipper	32
Active antitipper	33
Transit wheels	33
Fitting the posture belt	34



GENERAL

Introduction

This service manual is part of the instructions and contains the technical information for servicing, configuring and repairing a Kuschall® wheelchair.



WARNING!

Danger of accident and severe injuries.

If the wheelchair is improperly set it can cause accidents and severe injuries.

▸ **Changes to the wheelchair may only be carried out by the provider.**

To guarantee the required safety and reliability, all wheelchairs must be comprehensively checked once a year.

In part, assembly and adjustment require extensive experience.

For this reason, the following assembly instructions have been split into three categories:

Requirement	Symbol
Easy – technical understanding required	●○○
Intermediate – specialist knowledge required	●●○
Difficult – specialist wheelchair assembly knowledge and experience required	●●●

The required tools and their respective sizes are listed above each instruction. The instructions include information on the torques with which the respective screw connections must be tightened. Adhering to the given torques requires the use of a torque spanner.

Tools	Symbol
Allen key	◆ 3, 4, 5
Hexalobular key (Torx®)	★ T15
Phillips screwdriver	✕ 2
Straddle spanner	—C 10, 11, 19
Socket spanner/ring spanner	◻ 8, 10

Spare parts and adaptations

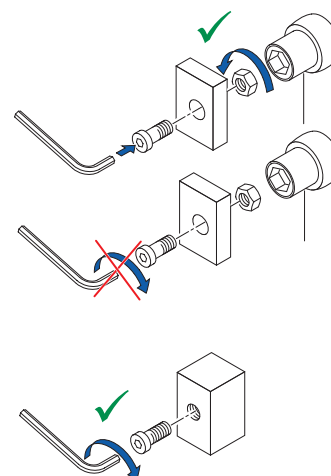
All spare parts can be purchased from Kuschall® Customer Services. An electronic spare parts catalog is available by logging onto www.kuschall.com. Only original spare parts may be used. Installing additional adaptations to a Kuschall® wheelchair requires the prior written approval of Kuschall AG. Some replacement parts are only available as a kit. Always use the complete new kit when replacing a part.

Tightening Allen screws

Allen keys are not designed for greater forces. When tightening or loosening an Allen screw, it is therefore advisable to apply force to the nut to prevent the hexagon socket from being damaged.

Tightening and loosening

- Turn the nut with a socket spanner (only use a straddle spanner if there is insufficient space) and merely hold the screw tight with the Allen key.

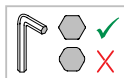




Tightening and loosening if there is no nut

If an Allen screw is directly screwed into a screw thread, the screw must be tightened using an Allen key.

-  Ensure that the Allen key is of good quality and not worn.



Torque

- All screw connections must be tightened with the torques specified in the following instructions.

Checks

Visual check

- Check all components for cracks, especially the areas around joints and welded seams.

Checking the screw connections

- Check all bolts with the torques specified in the instructions regularly, and adjust if required.



CAUTION!

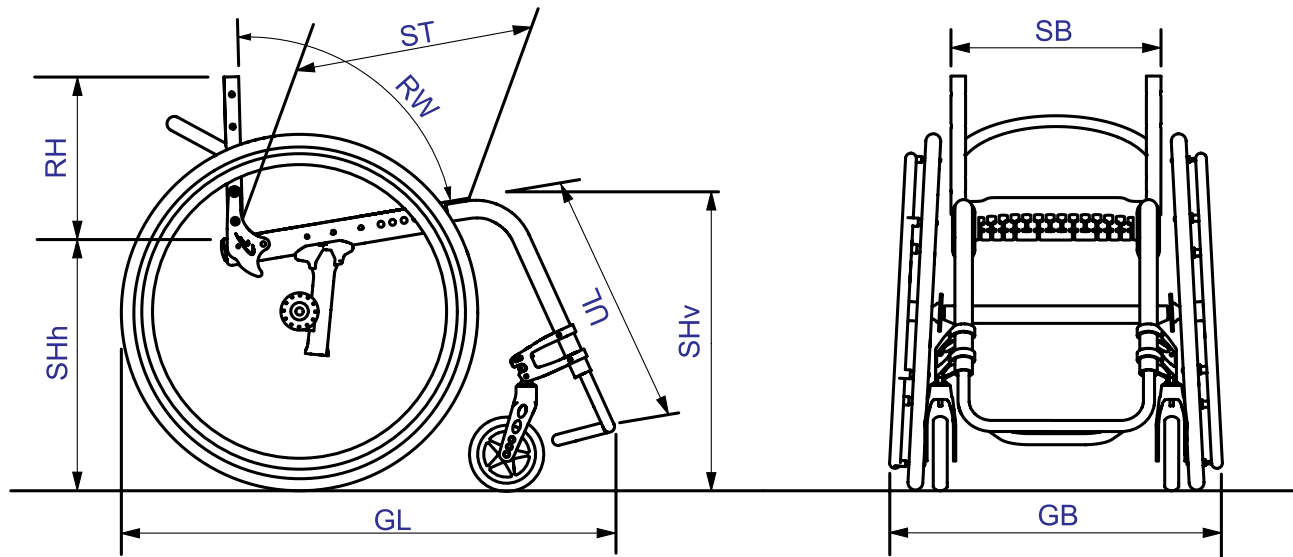
Several screw connections have been secured with thread locking adhesive. If these are opened, they must be secured again using new thread locking adhesive. Liquid high-strength and low-strength adhesives are available. For torque entries notice shall be made whether an adhesive and which adhesive needs to be used.

Identifying and alleviating malfunctions

<i>Malfunction</i>	<i>Possible cause</i>	<i>Measure</i>
The wheelchair will not move in a straight line	Frames are not parallel	Make the frames parallel
	Frames and/or supporters are not vertical to the ground	Make the frames vertical
	Alignment of the supporters is incorrect	Correct the alignment of the supporters
	Incorrect tire pressure in a rear wheel	Correct tire pressure
	One or more spokes broken	Replace defective spoke(s)
	Spoke unevenly tensioned	Tighten excessively loose spokes
	Dirty or damaged wheel bearings	Clean or replace bearings
The wheelchair tips backwards too easily	Footplate is not set to the same height on the left and right, or the screws have come loose	Set the footplate in the footplate guides to the same height on both sides and tighten the bolts.
	Rear wheels have been fitted too far forward	Fit rear wheels further back
	Backrest angle too great	Reduce backrest angle
The brakes engage poorly or asymmetrically	Seat angle too great	Use longer vertical struts
	Incorrect tire pressure in one or both rear wheels	Correct tire pressure
Roll resistance is too great	Brake setting incorrect	Correct brake setting
	Insufficient tire pressure in the rear wheels	Correct tire pressure
	Rear wheels are not parallel	Ensure that the rear wheels are parallel
The front wheels wobble when moving fast	Insufficient tension in the front wheel bearings block	Lightly tighten the nut in the bearings block axle
	Front wheel is worn flat	Replace front wheel
The front wheel is stiff or stuck	Dirty or damaged bearings	Clean or replace the bearings
Increased forward tip tendency	Frame deformed	Replace frame



OVERVIEW



Seat width (SB)

Available seat widths: SB 340 to 460 in 20 mm steps.

Changing the seat width is very complicated. The seat module, the backrest, the rear wheel axles and the footrest have to be replaced.

Seat depth (ST)

Available seat depths: ST 360 to 520 in 20 mm steps.

To alter the seat depth, the complete seat plate as well as the seat cushion may need to be replaced.

Front seat height (SHv)

The front seat height is dependent on several factors that interact with each other - Frames, forks and front wheel sizes.

- Chap. Front wheels, Shift supporter on the frame,
- Chap. Front wheels, Replacing a front wheel,
- Chap. Front wheels, Replacing a front wheel fork,
- Chap. Frame, Mounting frame and seat plate.

Rear seat height (SHh)

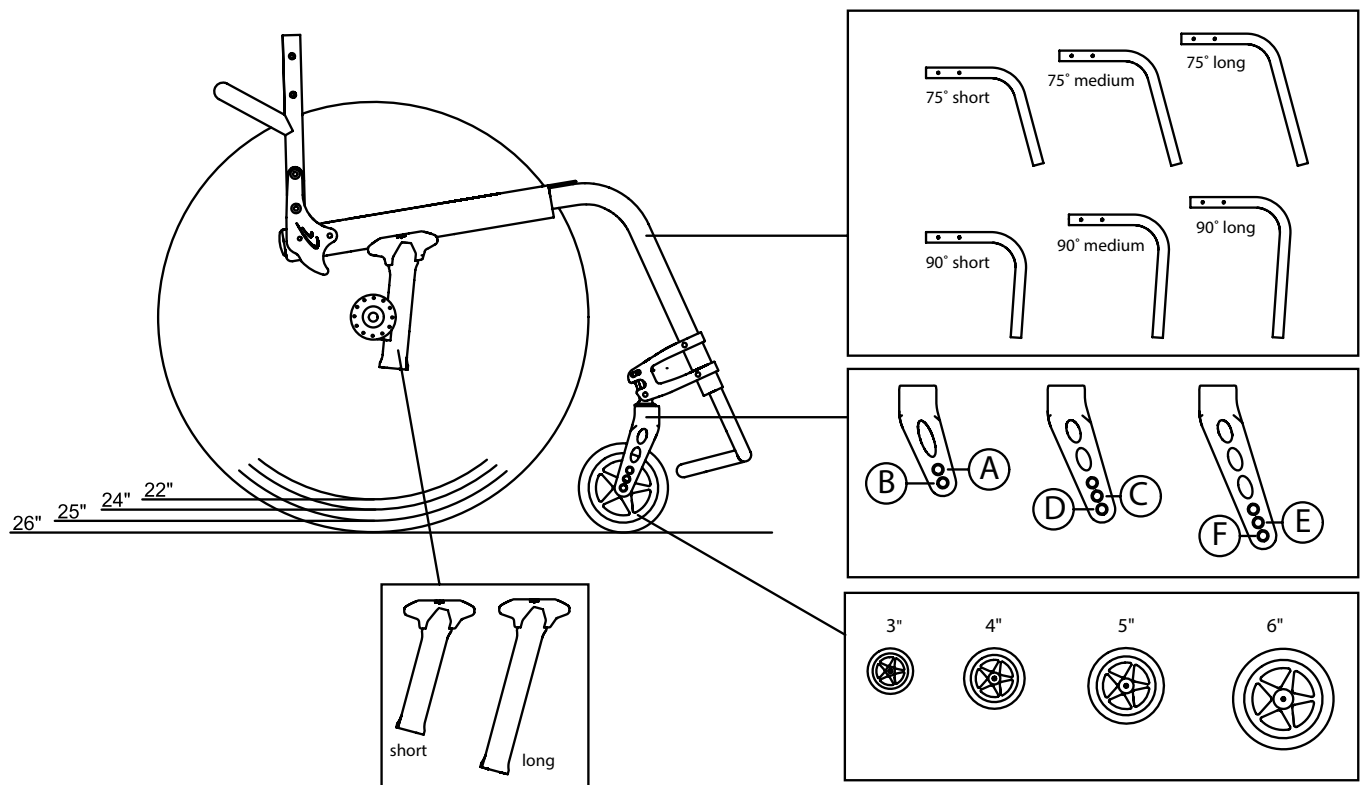
The desired seat height is achieved through the proper position on the rear wheel fastener on the vertical brace. The vertical brace is available in two sizes (short and long) covering seat heights from 370 to 490 mm.

The wheel position and the rear seat height are infinitely adjustable.

- Chap. Rear wheels, Set axle position at the vertical brace.
- Chap. Rear wheels, Tipping point adjustment.

Seat angle (SW)

The seat angle is determined by the difference between the rear seat height (SHh) and the front seat height (SHv).



Backrest height (RH)

The height of the backrest can be adjusted by moving the backrest tube.

→ Chap. Backrest, Adjusting the backrest height.

Backrest angle (RW)

The angle of the backrest can be changed by repositioning the excentre plate in the backrest joint plate.

→ Chap. Backrest, Adjusting the backrest angle.

Lower leg length (UL)

To change the lower leg length, the footrest can be fixed at a higher or lower position.

→ Chap. Frame, Mounting frame and seat plate.

→ Chap. Footrests, Install / replace footrest and adjust height.

The shortest lower leg lengths can be achieved using the high-mounted footrest.

→ Chap. Footrests, Fitting and adjusting high-mounted footrest.



FRAME

The küschall® Advance® frames are made from aluminium with frame angles of 75° and 90°. In addition there are aluminium frames with adduction. All frames are available in short, medium and long variants.

Frame	Frame angle 75°				Frame angle 90°		
	3"	4"	5"	6"	3"	4"	5"
SHv 450	short	short	short	short	short	short	short
SHv 460	short	short	short	short	short	short	short
SHv 470	medium	short	short	short	short	short	short
SHv 480	medium	medium	short	short	medium	short	short
SHv 490	medium	medium	medium	short	medium	medium	short
SHv 500	medium	medium	medium	medium	medium	medium	medium
SHv 510	long	medium	medium	medium	medium	medium	medium
SHv 520	long	long	medium	medium	long	medium	medium
SHv 530	long	long	long	medium	long	long	medium
SHv 540	long	long	long	long	long	long	long
SHv 550	long	long	long	long	long	long	long

Exceptions:

If the frame is 75° and UL > 430: Use medium frames instead of the shorter ones.

If the frame is 75° and UL > 480: Use long frames instead of the medium ones.

If the frame is 90° and UL > 420: Use medium frames instead of the shorter ones.

If the frame is 90° and UL > 470: Use long frames instead of the medium ones.

For lower leg lengths, the high-mounted footrest must be used,

→ Chap. Footrests, Fitting and adjusting high-mounted footrest.

Mounting frames and seat plates

Difficulty: ●○○

Tools: ● 5 ○ 10

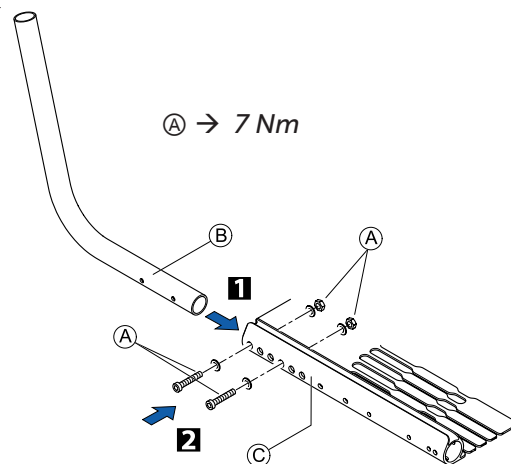
The frame tube can be mounted on three different positions on the seat plate.

1 Push the frame tube **(B)** into the desired position on the seat plate **(C)**.

2 Tighten the **(A)** bolts.

■ Perform the same setting on both sides.

i Make sure that there is not conflict between the frame and brakes or between the front and rear wheels.





Checking that the frames are parallel and adjusting

Difficulty: ●○○

Tools: ● 5 ○ 10

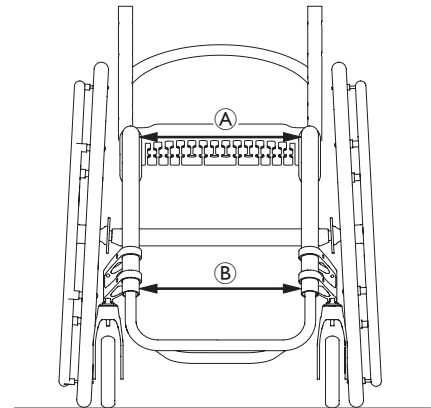
The frames must run parallel to one another when the foot bar is mounted (A = B). If this is not the case, the mounted foot bar is either too narrow or too wide or the frame tubes are misshapen.

- Fitting the appropriate foot bar, → Chap. Footrests, Fitting/replacing footrest and adjusting height.

or

- Replacing misshapen frame(s), → Chap. Frame, Fitting the frames to the seat plate.

If a carbon footplate is fitted, the interval B can be set.



Checking that the frames are vertical and adjusting

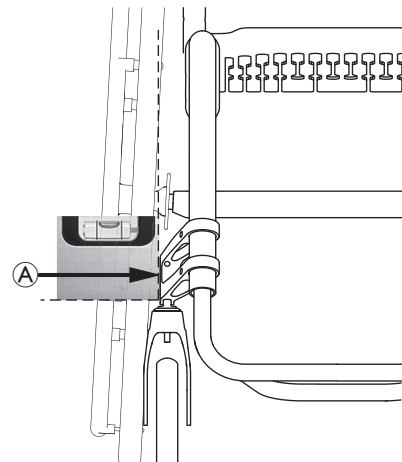
Difficulty: ●○○

Tools: Spirit level, ● 5 ○ 10



The frames and/or supporters must be vertical to the ground, otherwise the wheelchair will not move in a straight line.

- Ensuring that the alignment of the supporters is correctly adjusted, → Chap. Castors, Checking and adjusting the alignment of the supporters.
- Place both sides of the spirit level on the surface A of the supporter and check that it is vertical.
- If the supporters are not vertical, loosen the screw connections between the seat plate and the frame on both sides.
- Align the frames with the mounted footrest vertically.
- Retighten the bolts on both sides, → Chap. Frame, Fitting the frames to the seat plate.





Attaching the quick release frame to the seat plate

Difficulty: ●●○

Tools: ★15, ●5, ◻10

- 1 Fit the countersunk bolt ③ in the sixth hole of the seat plate ① with washer ④ and nut ⑤.
- Insert spring ⑥.
- 2 Spray the sleeve ⑦ with PTFE-Spray.
- Insert sleeve ⑦ such that the slot is parallel to the boreholes in the seat plate.
- Introduce the female coupling ⑧ into the seat plate such that the sleeve ⑦ is inserted inside the coupling.



WARNING!

Danger of accidents and severe injuries as a result of the loosening of the front frame from the seat plate.

- Ensure that the bolts ③ are correctly fitted (tightening torque, bolt locking).

- 3 Spray the lever axle ⑩ and the plastic sliding disk with PTFE-Spray.
- Push the distance sleeve ⑪ over the lever axle ⑩.
- Guide the lever axle through the borehole ⑭ into the coupling.



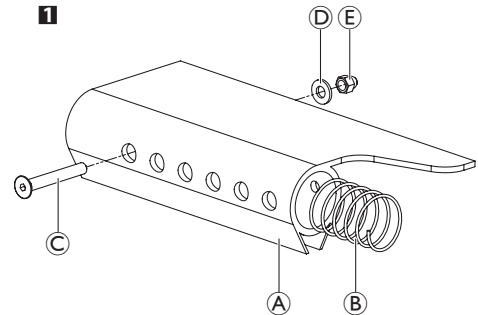
WARNING!

The clamping force of the quick release lever can be reduced by the unintentional loosening of the nut, meaning that the lever can no longer be closed.

- Ensure that the nut ⑮ on the lever axle is correctly tightened.
- Ensure that the headless bolt ③ is secured with the correct torque.

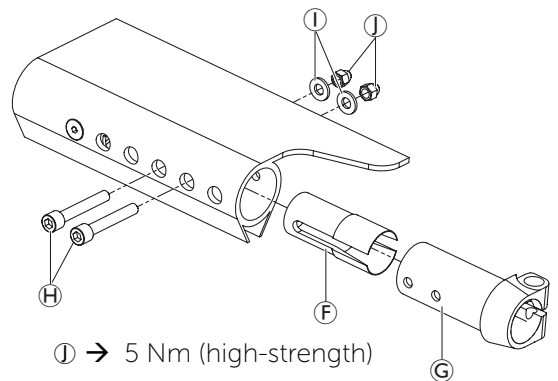
- Fit the nut ⑮ onto the lever axle.
- Counter the headless bolt ③ in the nut against the lever axle.
- 4 Attach the warning notice sticker ⑰ to the cleaned and grease-free underside of the seat plate in accordance with the position specifications (mm) in the graphic.

1



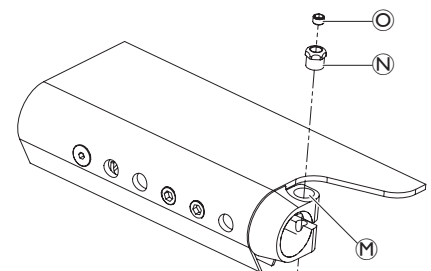
⑤ → 4 Nm (high-strength)

2



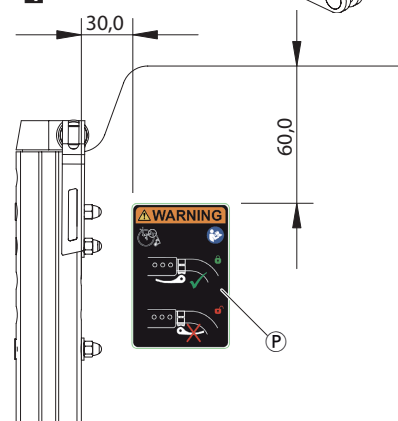
⑪ → 5 Nm (high-strength)

3



③ → 4 Nm (low-strength)

4





BACKREST

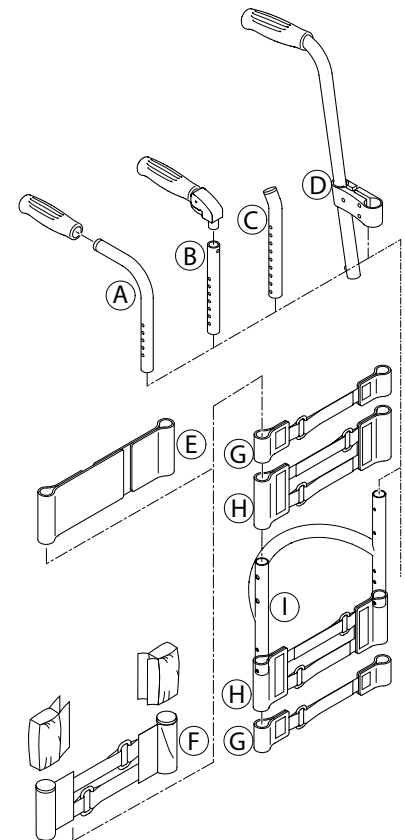
The adjustable back is fitted with hook and loop bands and a cover. Apart from the adjustable back there is the light cover, which is produced individually for each backrest height (RH) and seat width (SB).

Backrest height (RH) to cover, backrest tube, pushhandles and bands						
RH	Cover	Backrest-tube ①	Standard pushhandles ④ Foldable pushhandles ⑤			
			Push-handle ④	Telescopic tube straight ⑤	Bands above stabilizing bar	Top band
270*			S	-	1-band ⑥	backrest-band ⑥ 5 cm
285	S	S	S	XS	1-band ⑥	
300	S	S	S	XS	1-band ⑥	backrestband, 10 cm, 2-part ⑥
315	S	L	S	XS	1-band ⑥	
330	S	L	S	XS	1-band ⑥	
345	M	L	S	XS	2 x 1-band ⑥	
360	M	L	S	XS	2 x 1-band ⑥	
375	M	L	S	XS	2 x 1-band ⑥	
390	M	L	L	S	2-bands+1-band	
405	M	L	L	S	2-bands+1-band	
420	L	L	L	S	2-bands+1-band	
435	L	L	L	S	2-bands+1-band	
450	L	L	L	S	2 x 2-band ⑦	
465	L	L	L	S	2 x 2-band ⑦	
480	L	L	L	S	2 x 2-band ⑦	

* RH 270 only for standard pushhandles

Backrest height (RH) to pushhandles, telescopic tubes and bands					
RH	Without pushhandles ⑧		Height adjustable pushhandles, reaset ⑧		
	Bands above stabilizing bar	Top band	Telescopic tube bended ⑧	Bands above stabilizing bar	Top band
270	1-band ⑥		-	-	-
285	1-band ⑥	endband, 5 cm ⑥	XS	1-band ⑥	endband, 5 cm ⑥
300	1-band ⑥		XS	1-band ⑥	
315	1-band ⑥	XS	1-band ⑥		
330	1-band ⑥	XS	1-band ⑥		
345	1-band ⑥	XS	1-band ⑥		
360	2 x 1-band ⑥	endband, 10 cm ⑥	XS	1-band ⑥	
375	2 x 1-band ⑥		S	1-band ⑥	
390	2 x 1-band ⑥		S	2 x 1-band ⑥	
405	2-bands+1-band		S	2 x 1-band ⑥	
420	2-bands+1-band		S	2 x 1-band ⑥	
435	2-bands+1-band		M	2-bands+1-band	
450	2-bands+1-band		M	2-bands+1-band	
465	2 x 2-band ⑦		M	2-bands+1-band	
480	2 x 2-band ⑦		M	2-bands+1-band	

A 1-band strap ⑥ is placed beneath the stabilizing bar if there is a clothes-guard, and a 2-bands strap ⑦ if there is a mudguard.






Adjusting the backrest height

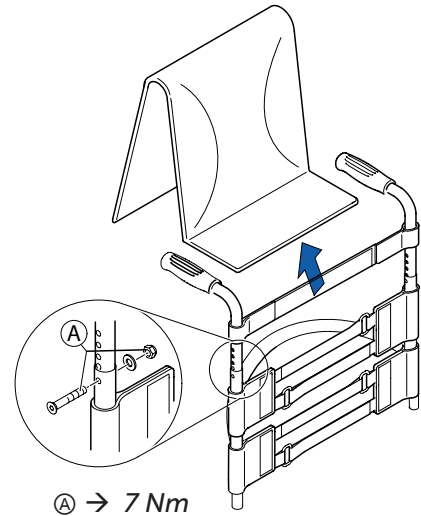
Readjusting the push handle/telescopic tube

Difficulty: ●○○

Tools: ● 3 8

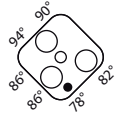
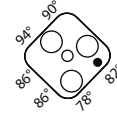
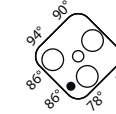
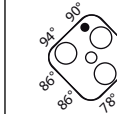
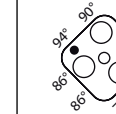
- Remove the backrest padding.
- Remove the screw connection (A) and adjust the desired height of the push handle or the telescopic tube. Insert the screw connection (A) again and tighten the nut.
- Carry out the same setting on both sides.
- Refit the backrest padding.

 If the desired height cannot be achieved, you must use a different telescopic tube or push handle.



Setting the backrest angle


The following angles (measured from the seat) can be set:

78°	82°	86°	90°	94°
				

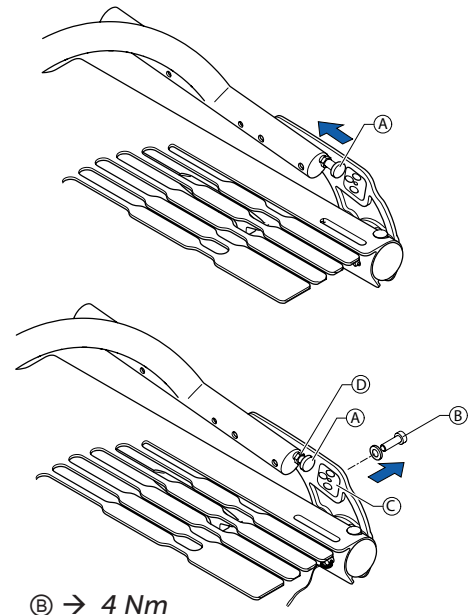
Difficulty: ●●○

Tools: ● 3 — C 10

- Fold down the backrest and release the counter nut (D) of the adjustment screw (A) and screw it in completely.
- Remove the screw (B) on the excentre plate (C). Remove the excentre plate (C) and reinsert it in the desired position.

 The excentre plates must be set identically on both sides of the wheelchair.

- Reinsert the screw (B) and tighten it.
- Adjust the backrest joint, → Chap. Backrest, Adjusting the backrest joint.





Adjusting the backrest joint

Difficulty: ●●○

Tools: —C 10

- Put the backrest up and let the pin **A** engage.
- Press the backrest forwards to ensure the joint cannot move.
- Unscrew the screw **C** until it touches the spigot **E** of the seat frame.
- Screw the screw back in by between a ¼ and a ½ turn and counter with the counter nut **D**.
- Correctly adjust the backrest joint on both sides.

Function check:

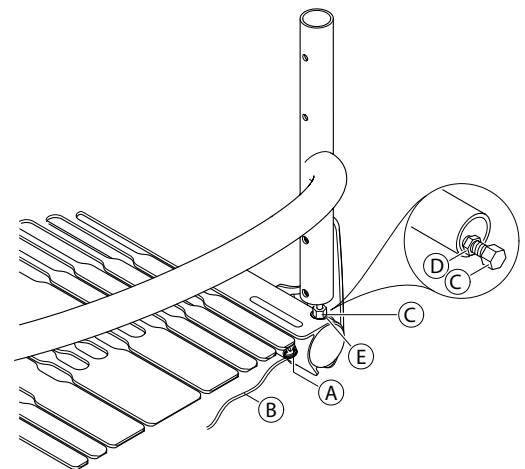
Sit in the wheelchair and lean back so that the backrest is strained. Upon pulling the release cord **B**, the pin **A** must be easily removed on both sides and must fully glide back in upon letting go of the release cord.

The excentre plates must be set identically on both sides of the wheelchair, → Chap. Backrest, Adjusting the backrest angle.

Check:

Check the settings of the adjustment screws **C** on both sides. The screw head must only lightly touch the adjustment screw **E** on the seat plate **F** when the backrest is in the upright position. If necessary, readjust the length by releasing the counter nut and tightening or loosening the adjustment screw. Then retighten the counter nut **D**.

Incorrectly adjusted adjustment screws result in damage to the backrest joint's mechanism.



D → 7 Nm

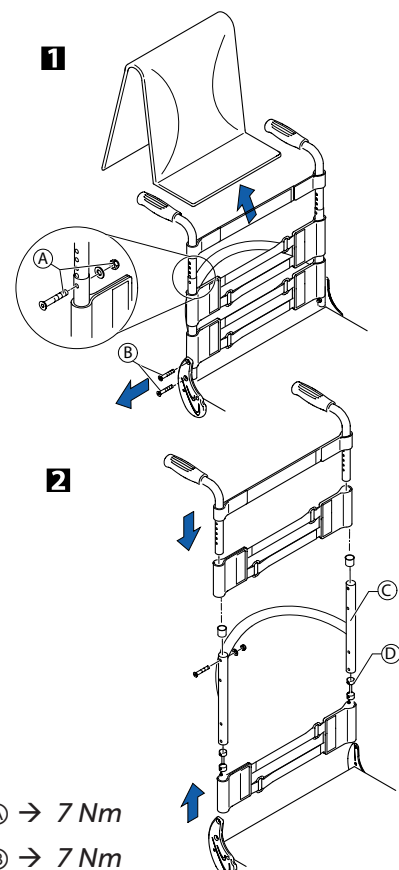
E → 4 Nm

Replacing the backrest tube

Difficulty: ●○○

Tools: ● 3, 4 ◻ 8, 10

- 1** Remove the backrest padding.
- Slide the backrest bands upwards or downwards to gain access to the bolts **A**. Remove the bolts and nuts on both sides.
- Remove the push handles or the telescopic tubes and remove the upper hook and loop bands.
- Remove the screws **B** on the backrest joint.
- 2** Remove the lower hook and loop bands and the sleeve **D** with the adjustment screw from the backrest tube **C** and fit both to the new backrest tube.
- Fit the backrest tube to the backrest joint with the screws **B**. Here, first fit the lower screw followed by the upper screw.
- Fit the upper hook and loop bands and the push handles or the telescopic tubes again and fix them with bolts **A** and nuts.
- Carry out the same setting on both sides.
- Refit the backrest padding.




A → 7 Nm

B → 7 Nm




Replacing the handle

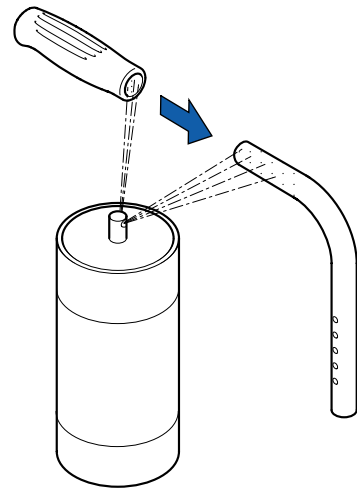
An adhesive (e.g. hair spray) is used in these instructions. When applied to the handle, this substance works as a lubricant and as an adhesive once dry.

 After drying, the adhesive used must be able to resist a pull-off force of 750 N. If in doubt, contact Küschall AG.

Difficulty: ●●○

- Remove the old handle.
- Remove any residue (residual adhesive, grease, dust) from the push handle tube.
- Apply a thin layer of hair spray all over the surface of the push handle tube onto which the handle is to be slid.
- Apply a thin layer of hair spray to the inside of the handle.
- Slide the new handle onto the push handle tube.
- Move the handle into the correct position (grooves facing upwards).

 If a long handle has been fitted and this is to be replaced with a short one, the push handle tube must be shortened by 35 mm. The push handle tube must be replaced when switching from a short to a long handle.



Replacing foldable push handles

Difficulty: ●○○

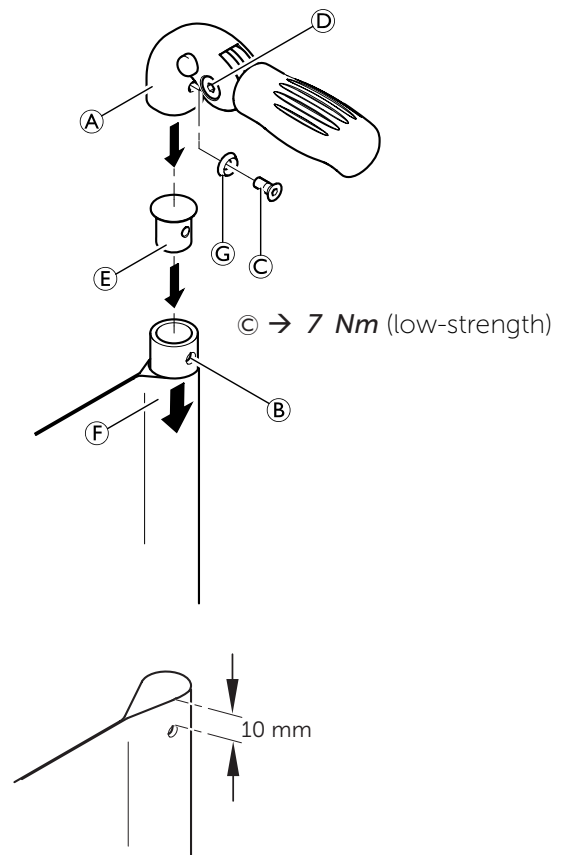
Tools: Hole punch pliers 6 mm, ● 3, 4

- Remove the old foldable push handle.
- Pull down the backrest cover (F) on the telescopic tube, until its hole (B) is uncovered.
- ! **IMPORTANT!**
 - Make sure that the threaded insert (E) (part no. 1580450) supplied with the new push handle is used for assembly.
- Place the threaded insert (E) in the telescopic tube.
- Punch a hole through the backrest cover with a distance of 10 mm from the upper edge, using hole punch pliers (see graphic below).
- Slide the new foldable push handle (A) onto the telescopic tube.
- Pull up the backrest cover, until it covers completely the rear hole in the pushhandle.
- Fix the foldable push handle with screw (C) and washer (G).
- Check screws (D) on both sides of the push handle and re-tighten if necessary.
- Carry out the same steps for the other push handle.

! **IMPORTANT!** Make sure that the folding force is approximately 5 N (0.5 kg).

! **IMPORTANT!** Fixing screw (C) may only be used once. Alternatively the screw can be cleaned (remove old thread locking adhesive) and reinstalled with new low-strength thread locking adhesive.

 The retrofit of foldable push handles requires new tubing.





FOOTRESTS

The footrest must be selected in accordance with the seat width.
A standard footrest and an angle-adjustable footrest are available.
Furthermore, there is a choice between a high-mounted footrest and a fold-up footrest.

Possible lower-leg length in relation to the frame and footrest				
Frame		Footrests	Possible lower-leg length, high-mounted [mm]	Possible lower-leg length, frame mounted [mm]
75° / 90°	short	Footrest	220 - 340	350 - 420*
	medium		220 - 390	400 - 470*
	long		220 - 440	450 - 510*
75° / 90°	short	Angle-adjustable footplate	220 - 340	350 - 420*
	medium		220 - 390	400 - 470*
	long		220 - 440	450 - 510*
75° / 90°	short	Fold-up footplate	220 - 300	310 - 420*
	medium		220 - 350	360 - 470*
	long		220 - 400	410 - 510*

For the 75° frames 10 mm more is possible.

Install / replace footrest and adjust height

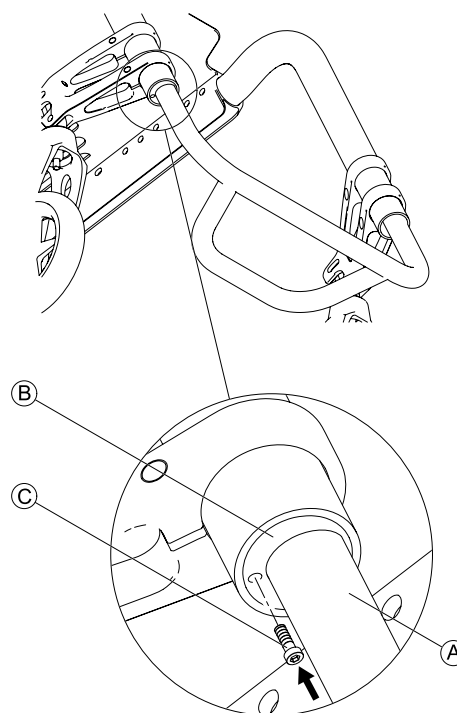
Difficulty: ●○○

Tools: ● 3

- Undo bolt © by approx. five turns.
- Tap on the bolt © to release the wedge inside.
- Remove the footrest A from the frame and replace it with a new one.
- Slide the footrest A into the footrest guidance B to the desired height.
- Tighten bolt © again.
- Carry out the same setting on both sides.

© → 4 Nm

i If the desired lower leg length cannot be achieved, a high-mounted footrest must be used, → Chap. Footrests, Fitting and adjusting a high-mounted footrest. It is possible to install a longer or shorter frame.



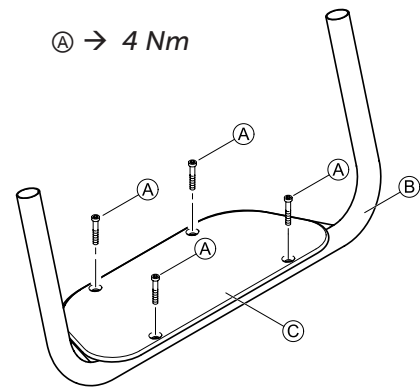


Assembling the foot plate cover

Difficulty: ●●○

Tools: ● 3, drill, drill bit: Ø 7 mm

- Position and affix the footplate support ③ cleanly to the footplate ②.
- Thread the footplate through the holes on the footplate support.
- Removing the foot plate support
- Drill through foot plate (7 mm).
- Blind rivets (Tubtara) should be used in accordance with supplier instructions.
- Fasten the footplate support ① with screws.



Replacing the footplate support

Difficulty: ●○○

Tools: ● 3

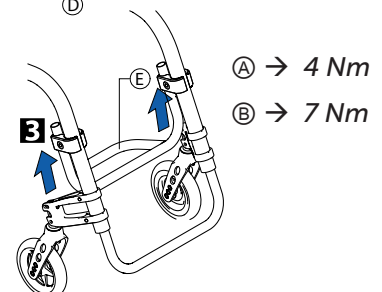
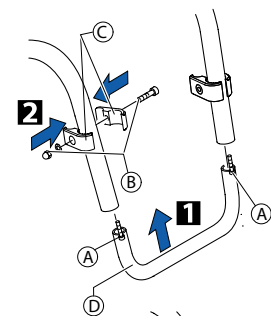
- Remove screws ① and footplate support ③.
- Fasten the new foot plate support ① with screws.

Fitting and adjusting high-mounted footrest

Difficulty: ●○○

Tools: ● 3, 5, 10

- 1 Attach frame bar ② for the high mounted foot rest on both sides using the wedge connections ① on the front frame.
 - 2 Fix the clamp set ③ to both sides of the frame using bolt and cap nut ④. Only tighten lightly.
 - 3 Slide the high-mounted footplate ⑤ into the clamp set and to the desired height.
- Tighten the bolt and cap nut ④ on both sides.



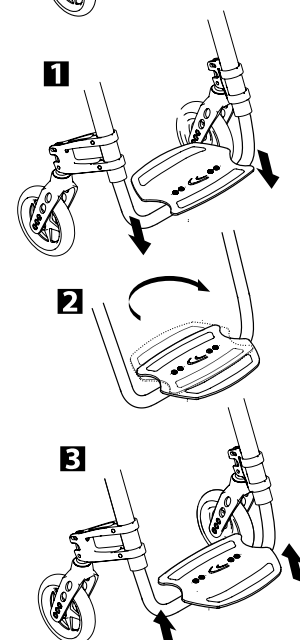
Attaching the forward footrest

Usually the foot rest is attached backward.

Difficulty: ●○○

Tools: ● 3

- 1 Remove complete footrest, → Chap. Footrests, Install / replace footrest, adjust height.
 - 2 Rotate footrest 180° so that the long side of the footplate is facing forward.
 - 3 Re attach the complete footrest, → Chap. Footrests, Install / replace footrest, adjust height.
- Set the desired footplate angle, → Chap. Footrests, Angle-adjustable footplate, adjusting the angle.





Angle-adjustable footplate, adjusting the angle

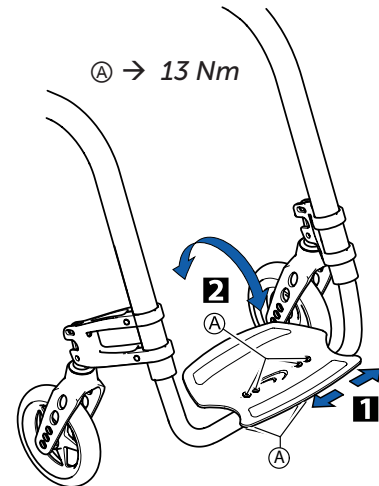
Difficulty: ●○○

Tools: ● 4 ☰ 10

- 2 To adjust the angle, release the four screw connections **A** until the footplate can be moved.
- 1 Check and/or adjust the distance between the left and the right sides by pushing in or pulling out the tubes below the footplate in such a way that the bearings blocks are perpendicular to the ground.
- Tilt the footplate into the desired position and tighten the screw connections **A**.

The angle of the footplate must be set so that the user's feet cannot slide off the plate.

Make sure that the footplate has a minimum distance of 20 mm to the floor at its lowest point.



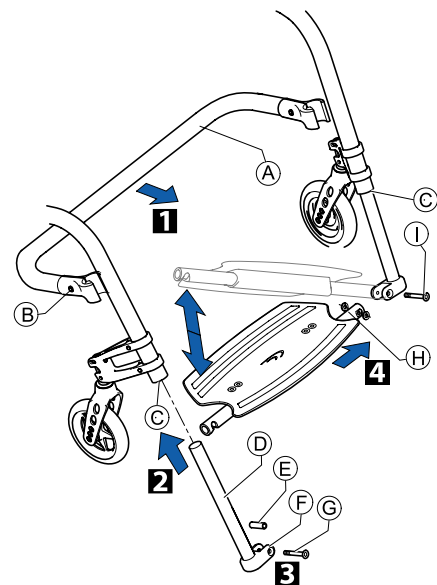
Fitting the fold-up footrest

Difficulty: ●●○

Tools: ● 3,4,5 ☰ 10

- 1 Fix the reinforcing bar **A** to the frame. Then, firmly tighten the screw connection **B**.
- 2 On both sides, slide the telescopic tubes **D** into the frame. On both sides, fix the telescopic tubes at the desired height using the wedge connection **C**.
- Carry out the same setting on both sides.
- 3 Insert the sleeve **E** into the mounting part **F** of the right telescopic tube. Fix it using the screw **G**.
- 4 Place the left tube of the footplate **H** into the mounting part on both sides of the left telescopic tube, each with a washer. Fix it using the screw **I**.
- Insert the right tube of the footplate into the mounting part of the right telescopic tube. Adjust the distance between the left and the right sides by pushing in or pulling out the tubes below the footplate in such a way that the bearings blocks are perpendicular to the ground.
- Tilt the footplate into the desired position and tighten the footplate screws, → Chap. Footrests, Angle-adjustable footplate, adjusting the angle.

The footrest can also be fitted the other way around (right footrest tube fixed, left tube moving).



B → 7 Nm (low-strength)

C → 4 Nm

G → 7 Nm (low-strength)

I → 7 Nm (low-strength)



SIDE PARTS

Armrest / Siderest

The clothes-guard fitted as standard can be augmented with an armrest.

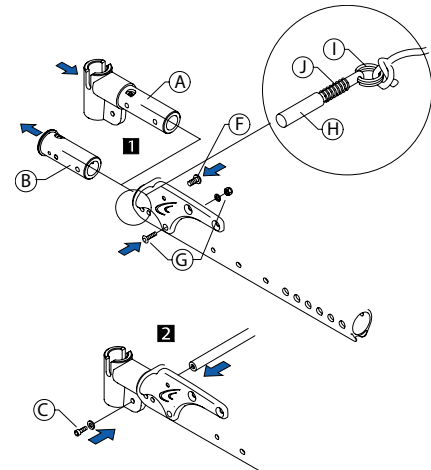
The armrest may be equipped with both a clothes guard and mudguard.

Fitting an armrest

Difficulty: ●●○

Tools: ● 3, 5 10

- Fold the backrest forwards.
- Turn wire ring ① and remove the plunger pin ④ and spring ⑤.
- Remove screw ⑥ and screw connections ③.
- 1 Remove the backrest spigots ② and replace them with the arm rests ① on both sides.
- 2 Fit the connecting tube with screws ③ on both sides.
- Attach screw connection ③ and bolts ⑥.
- Attach plunging pin with spring and wire ring.

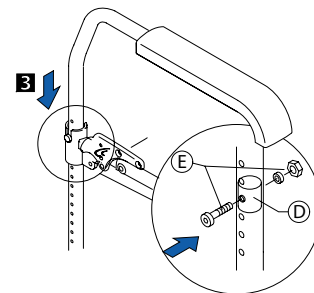


Setting the armrest height

Difficulty: ●○○

Tools: ● 4 8

- 3 To adjust the height as required, position the sleeve ④ in the tube so that the screw connection ⑤ can be fixed to the appropriate hole in the tube. Place the armrest in the holder.
- Set the desired armrest height on both sides.

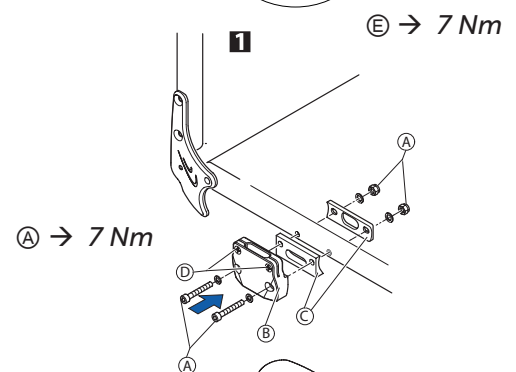


Fitting and adjusting a height-adjustable siderest

Difficulty: ●●○

Tools: ● 4, 5 × 2 10

- 1 Attach the holder ② and the clamps ③ using the bolts ① on both sides of the seat plate.
- By tightening or loosening the screws ④, you can adjust how easily the armrest can be pulled out or pushed in.

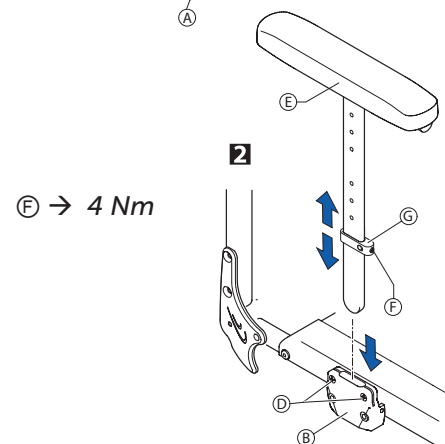


Height-adjustable armrest; set height

Difficulty: ●○○

Tools: ● 4

- 2 Insert the siderest ⑤ into the holder ②.
- Slightly loosen the crub screw ⑥ on the adjustment plate ③ and slide it along the armrest carrier until the armrest is at the desired height.
- Retighten the crub screw ⑥.

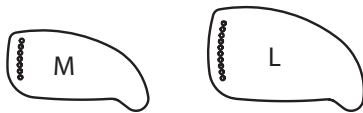




Clothes-guard / mudguard

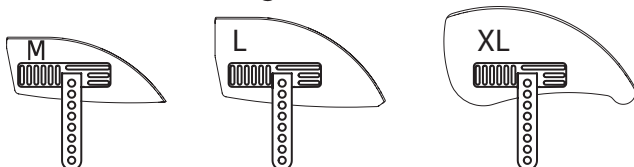
The clothes-guard fitted as standard can be replaced by a mudguard.
Clothes-guard and mudguard are made of carbon.

Possible sizes clothes-guard:



Clothes guard size relative to rear seat height, wheel size and wheel position																				
Wheel size	22"					24"					25"					26"				
Wheel position [mm]	140	125	110	95	80	140	125	110	95	80	140	125	110	95	80	140	125	110	95	80
SHh																				
370	L	L	L	L	M	-	-	-	-	-	-	-	-	-	-	-	-	-	-	-
380	L	L	L	M	M	-	-	-	-	-	-	-	-	-	-	-	-	-	-	-
390	L	L	M	M	M	L	L	L	L	L	-	-	-	-	-	-	-	-	-	-
400	L	M	M	M	M	L	L	L	L	L	L	L	L	L	-	-	-	-	-	-
410	M	M	M	M	M	L	L	L	L	M	L	L	L	L	L	L	L	L	L	L
420	M	M	M	M	M	L	L	L	M	M	L	L	L	L	L	L	L	L	L	L
430	M	M	M	M	M	L	L	M	M	M	L	L	L	L	M	L	L	L	L	L
440	M	M	M	M	M	L	M	M	M	M	L	L	L	M	M	L	L	L	L	L
450	M	M	M	M	M	M	M	M	M	M	L	L	M	M	M	L	L	L	L	M
460	M	M	M	M	M	M	M	M	M	M	L	M	M	M	M	L	L	L	M	M
470	M	M	M	M	M	M	M	M	M	M	M	M	M	M	M	L	L	M	M	M
480	M	M	M	M	M	M	M	M	M	M	M	M	M	M	M	L	M	M	M	M
490	-	-	-	-	-	M	M	M	M	M	M	M	M	M	M	M	M	M	M	M

Possible sizes mudguard:



Mudguard size relative to rear seat height, wheel size and wheel position																				
Wheel size	22"					24"					25"					26"				
Wheel position [mm]	140	125	110	95	80	140	125	110	95	80	140	125	110	95	80	140	125	110	95	80
SHh																				
370	L	L	L	L	M	-	-	-	-	-	-	-	-	-	-	-	-	-	-	-
380	L	L	L	M	M	-	-	-	-	-	-	-	-	-	-	-	-	-	-	-
390	L	L	M	M	M	L	L	L	L	L	-	-	-	-	-	-	-	-	-	-
400	L	M	M	M	M	L	L	L	L	L	XL	L	L	L	L	-	-	-	-	-
410	M	M	M	M	M	L	L	L	L	M	L	L	L	L	L	XL	XL	L	L	L
420	M	M	M	M	M	L	L	L	M	M	L	L	L	L	L	XL	L	L	L	L
430	M	M	M	M	M	L	L	M	M	M	L	L	L	L	M	L	L	L	L	L
440	M	M	M	M	M	L	M	M	M	M	L	L	L	M	M	L	L	L	L	L
450	M	M	M	M	M	M	M	M	M	M	L	L	M	M	M	L	L	L	L	M
460	M	M	M	M	M	M	M	M	M	M	L	M	M	M	M	L	L	L	M	M
470	M	M	M	M	M	M	M	M	M	M	M	M	M	M	M	L	L	M	M	M
480	M	M	M	M	M	M	M	M	M	M	M	M	M	M	M	L	M	M	M	M
490	-	-	-	-	-	M	M	M	M	M	M	M	M	M	M	M	M	M	M	M




Replacing the clothes-guard

Mounting element **A** must be mounted with parts **F**, **E**, **D** on the backrest tube **G**.

Difficulty: ●●○

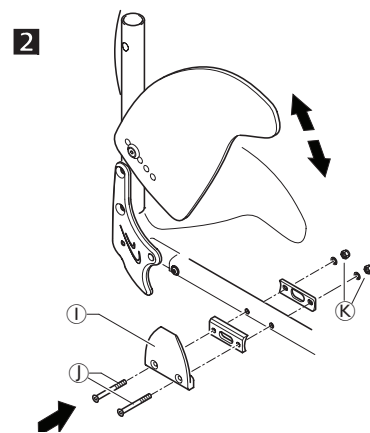
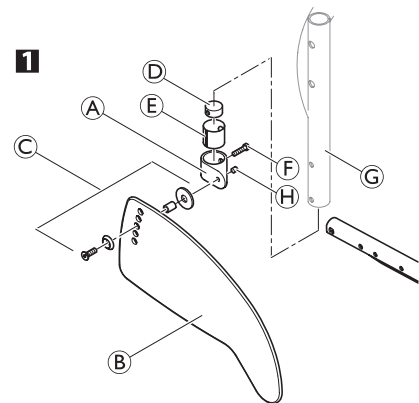
Tools: ● 3, 4

- 1** If present, remove the clothes-guard to be replaced by loosening the screw connection **C**.
- Check the correct position of the clothes-guard **B** with fitted rear wheel. Here, find the suitable height on the clothes-guard for fixing the screw connection **C** to the backrest mounting element **A**.
- Gently tighten screw connection **C** until it slightly jams.
- Secure with grub screw **H**.
- 2** If necessary, the holder **I** on the seat module can be replaced by removing/fixing screws **J** with washers and cap nuts **K**.

 The clothes-guard is correctly positioned if it can be inserted between the seat module and the holder and the upper edge runs above the rear wheel.

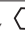
K → 7 Nm

H → 4 Nm




Installing the mudguard


Difficulty: ●●○

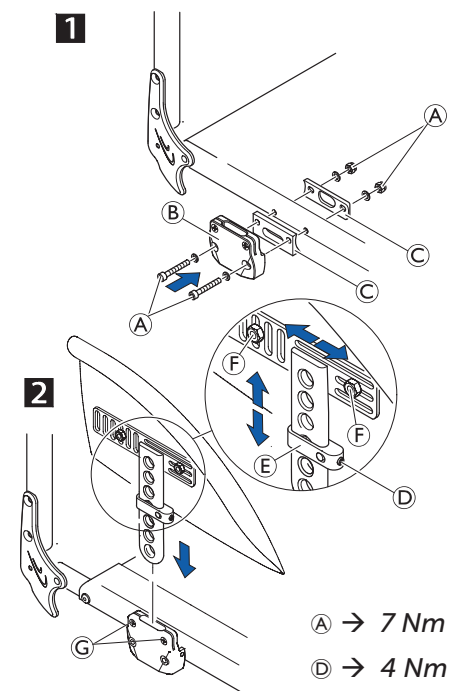
Tools: ● 3, 4,  10 x 2

Remove the clothes-guard and the mounting elements on the backrest and the seat.

- 1** Install the holder **B** to the seat module using the screw connections **A** and plates **C** and then refit the rear wheel.
- 2** Slightly loosen the grub screw **D** on the adjustment plate **E** and slide it along the mudguard carrier until the mudguard is at the desired height.
- The position of the mudguard can also be adjusted: Here, loosen the screw connections **F**, position the mudguard as required and tighten the screw connections **F** again.
- Tighten the grub screw **D** again.
- Carry out the same setting on both sides.
- By tightening or loosening the screws **G** you can adjust how easily the mudguard can be pulled out or pushed in.

 The existing axle may not be sufficiently long for the new configuration with mudguard. In this case, a longer axle must be fitted. → Changing the wheel camber / fitting and adjusting an axle

 The distance between the mudguard and the wheel must be either < 8 mm or > 25 mm to prevent fingers from becoming caught between the wheel and the mudguard.



A → 7 Nm

D → 4 Nm

F → 7 Nm



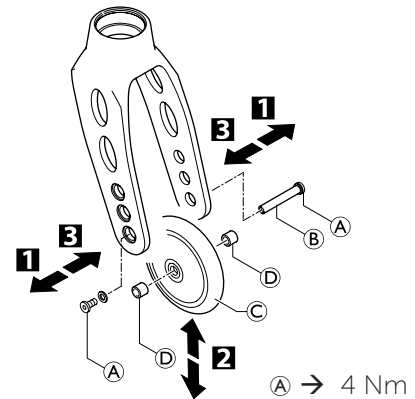
FRONT WHEELS

Replacing a front wheel

Difficulty: ●○○

Tools: ● 2x3

- 1 Remove the screw (A) with disk on one side. Remove the wheel axle (B).
- 2 Remove the front wheel (C).
- 3 Place the sleeves (D) between the new front wheel and the fork.
- 3 Slide the axle (B) through the fork, sleeves (D) and the front wheel (C) and fix the axle using the screw (A). Here, use the new screw supplied with the wheel as this screw comes with a thread-locking device.



Function check:

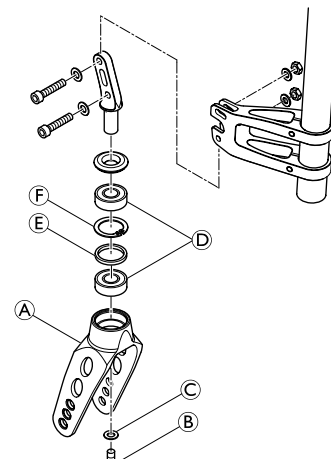
The wheel may not wobble, but must rotate easily.

Replacing a front wheel fork

Difficulty: ●●○

Tools: — C 10

- Remove the nut (B) with the washer (C).
- Remove the front wheel fork (A).
- Check the bearing (D), distance ring (E) and circlip (F) and replace if required.
- Insert the new front wheel fork with the washer and the nut and tighten the nut.
- Carry out the function check (see below).

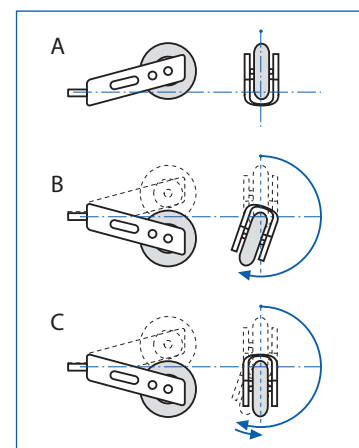


Function check:

Tip the wheelchair backwards by 90° so that it is lying on the backrest and the rear wheels. Make sure that the clevis pin is as horizontal as possible. Turn the fork upwards (position A) and let it tip downwards.

The fork has been correctly adjusted if it easily turns to slightly beyond the bottommost point (position B) and then maximally turns back to the bottommost point (position C).

If the fork turns back over the bottommost point or even swings back and forth, it has not been sufficiently tightened. There is a risk that the front wheels will start to wobble at high speeds.





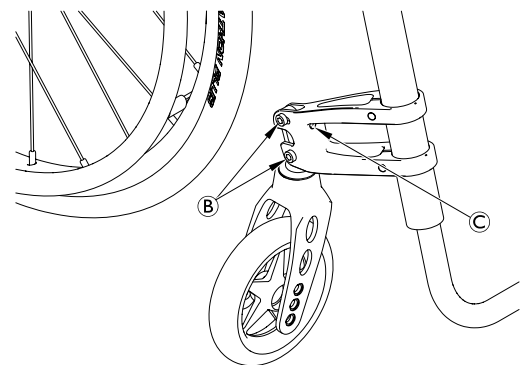
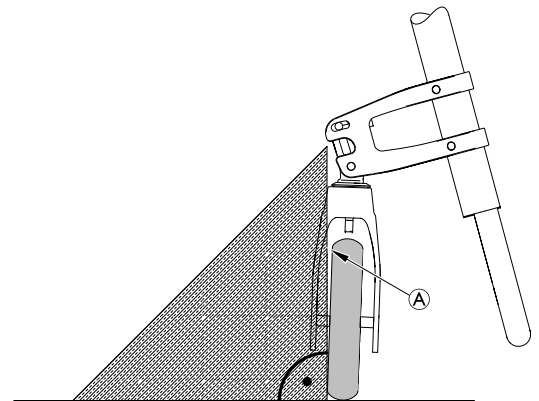
Checking and adjusting the castor angle

Difficulty: ●○○ Tools: 90° angle (Triangle ruler or similar), **C** 10, ● 5

- Place the wheelchair on a plane surface.
- Turn the castor wheel transversely to the rear wheels.
- Apply a 90° ruler on the castor wheel and check if it is in a 100% vertical position to the floor.

i It shows immediately whether the castor is in 90° to the floor or not. If there is a gap **A** between the ruler and the castor on the upper or lower rim of the wheel, it clearly indicates that the castor angle is not 90°. In the graphic to the right, the gap **A** on the upper part of the castor wheel shows that the fork is set too much to the rear (If the gap would be on the lower part, the fork would be set too much to the front).

- If the castor wheel is not vertical, loosen bolts **B**.
- Adjust the castor angle with screw **C** until the wheel is 100% parallel to the vertical side of the ruler.
- Re-tighten bolts **B**.
- Perform the same adjustment on both sides.



B → 13 Nm

Checking and adjusting the drift angle

Difficulty: ●○○ Tools: 90° angle (Triangle ruler or similar), ● 5

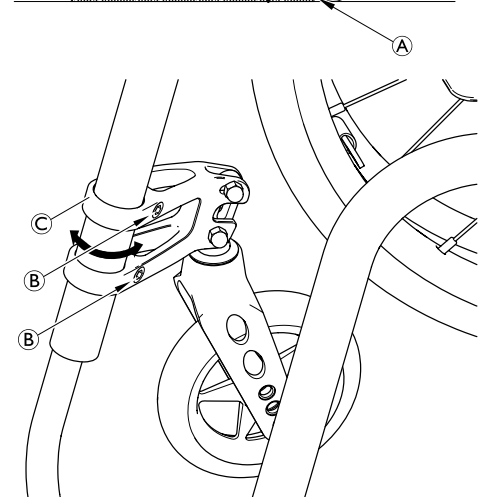
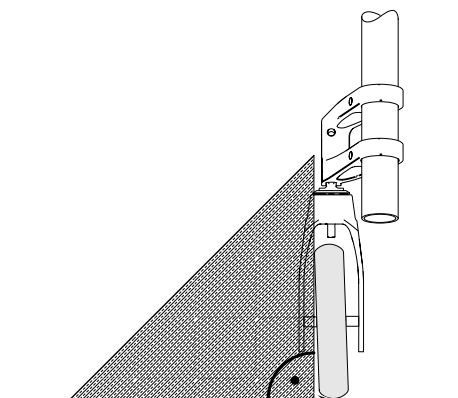
- Place the wheelchair on a plane surface.

i The drift angle is measured the same way as the castor angle: For this adjustment the castor wheel has to be turned in driving direction (parallel to the rear wheels).

- Turn the castor wheel in driving direction, parallel to the rear wheels.
- Apply a 90° ruler on the castor wheel and check if it is in a 100% vertical position to the floor.
- If the castor wheel is not vertical, unscrew the bolts **B** with washers on the supporter.

! **IMPORTANT!** Possible damage to the paint on the frame tube. Be very careful when turning the supporter around the frame tube.

- Turn the supporter **C** in- or outside until the castor wheel is parallel to the vertical side of the ruler.
- Retighten bolts with new adhesive and washers.
- Perform the same adjustment on both sides.



B → 10 Nm (high-strength)



Shift supporter on the frame

Difficulty: ●○○

Tools: ● 5

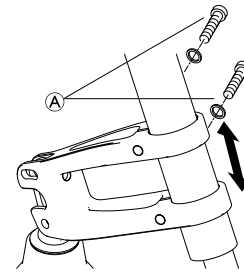
The supporter on the frame may be infinitely adjusted.



IMPORTANT!

Possible damage to the paint on the frame tube.
Be very careful when inserting the supporter in frame tube.

- Loosen the bolts Ⓐ with the washers on the supporter.
- Push the supporter into the required position.
- Tighten the bolts Ⓐ with the washers on the supporter.
- Perform the same setting on both sides.



Ⓐ → 10 Nm (high-strength)

There are various wheel and fork sizes. It may be necessary to replace the frame with a smaller or larger one.
All rear wheels (22", 24", 25" and 26") can be combined with all front wheels (3", 4", 5" and 6").

The following tables show how the küschall® Advance® comes delivered. The table entries (A, B, C...) refer to the overview graphic on page 7 (axle positions in the castor fork).

Frame	75° short				75° medium				75° long			
Front wheel	3"	4"	5"	6"	3"	4"	5"	6"	3"	4"	5"	6"
SHv 450	E	D	C	D	-	-	-	-	-	-	-	-
SHv 460	F	E	D	D	-	-	-	-	-	-	-	-
SHv 470	-	F	E	D	C	-	-	-	-	-	-	-
SHv 480	-	-	F	E	D	C	-	-	-	-	-	-
SHv 490	-	-	-	F	E	D	C	-	-	-	-	-
SHv 500	-	-	-	-	F	E	D	D	-	-	-	-
SHv 510	-	-	-	-	-	F	E	D	C	-	-	-
SHv 520	-	-	-	-	-	-	F	E	D	C	-	-
SHv 530	-	-	-	-	-	-	-	F	E	D	C	-
SHv 540	-	-	-	-	-	-	-	-	F	E	D	D
SHv 550	-	-	-	-	-	-	-	-	-	F	E	D

Frame	90° short			90° medium			90° long		
Front wheel	3"	4"	5"	3"	4"	5"	3"	4"	5"
SHv 450	D	C	C	-	-	-	-	-	-
SHv 460	E	D	C	-	-	-	-	-	-
SHv 470	F	E	D	-	-	-	-	-	-
SHv 480	-	F	E	C	-	-	-	-	-
SHv 490	-	-	F	D	C	-	-	-	-
SHv 500	-	-	-	E	D	C	-	-	-
SHv 510	-	-	-	F	E	D	-	-	-
SHv 520	-	-	-	-	F	E	C	-	-
SHv 530	-	-	-	-	-	F	D	C	-
SHv 540	-	-	-	-	-	-	E	D	C
SHv 550	-	-	-	-	-	-	F	E	D

The supporter on the frame can be shifted and the various frames, forks and front wheels used, the seat height can be infinitely adjusted at the front.



REAR WHEELS

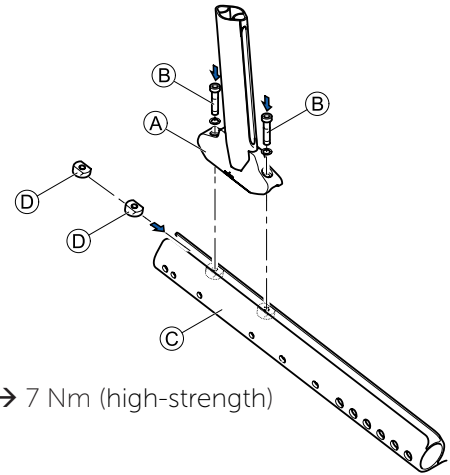
Attach vertical brace to the seat plate

Difficulty: ●●○

Tools: ● 5

The vertical brace can be infinitely adjusted on the seat plate.

- Place the seat plate © reversed on the working area.
- Push the sliding block ④ to the required position in the lower slot of the seat plate ©.
- Attach the vertical brace ① with bolts ② and washers through the sliding blocks ④ to the seat plate ©.
- Carry out the same setting on both sides.



② → 7 Nm (high-strength)

Changing the wheel camber / Fitting and adjusting an axle

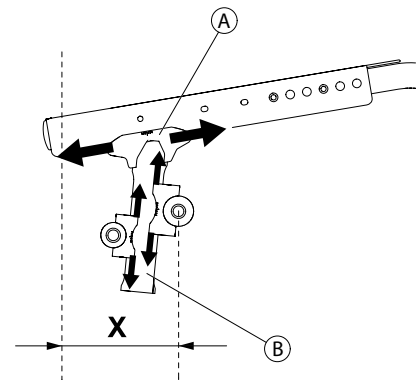
It is possible to attach two axles to the vertical brace.

Possible combinations, if two axles are attached				
	Vario Ax	0°	3°	6°
Vario Ax	✓	✓	✓	-
0°	✓	✓	✓	-
3°	✓	✓	✓	✓
6°	-	-	✓	✓



IMPORTANT!

Danger to axle and rear wheels from collisions.
When attaching the two axles make sure that the axles have the same axle width.

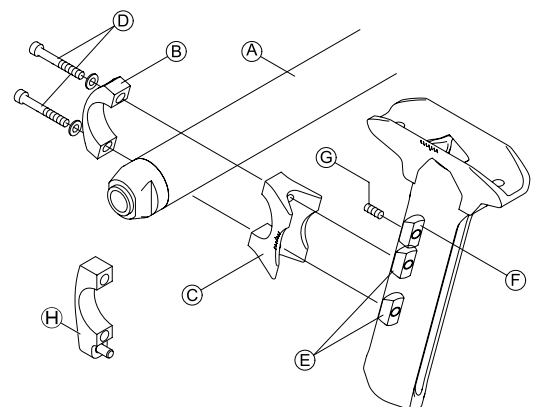


Attach standard / Vario-Ax

Difficulty: ●○○

Tools: ● 3, 5

- Position adjustable sliding block ⑥ in the groove of the vertical brace and tighten with the ③ threaded pin.
- ⚠ Make sure that the adjusting sliding blocks are positioned at exactly the same height both right and left.
- Position in the sliding blocks ⑤ in the groove of the vertical brace.
- Position the axle clamp ④ above the sliding blocks in the groove of the vertical brace.
- Position axle or Vario-ax ① on the axle clamp ④.
- Position axle clamp ② on the axle.
- ⚠ If an antitipper is fitted, the axle clamp with end stop ⑧ must be fitted instead of the axle clamp ②.
- Insert and tighten the bolts ⑦ through the axle clamp in the sliding blocks.
- Carry out the same setting on both sides.



⑦ → 7 Nm (high-strength)

③ → 3 Nm (low-strength)



Replace standard / Vario-Ax

Difficulty: ●○○

Tools: ● 5

To change the wheel camber, a Vario-Ax or a new fixed axle with a different angle will need to be installed.

- Remove the ① bolts and take off the ② axle clamps.
- Attach the required axle.

i If a fixed axle on a Vario-Ax is altered (or vice versa) then the corresponding axle clamps need to be used.

- Use suitable axle clamps ② and bolts ①.
- Ensuring the rear wheels are parallel
- Tighten ① bolts.
- Carry out the same setting on both sides.

Set axle position at the vertical brace

The rear seat height is set using the vertical brace on the wheel chair.

Difficulty: ●○○

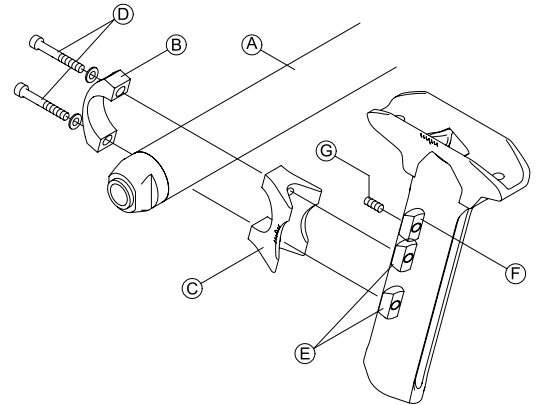
Tools: ● 3, 5

For a lower rear seat heights:

- Loosen ③ threaded pin.
- Move the adjustable sliding block ④ in the vertical brace to get the desired distance from the top or bottom.
- Tighten ③ threaded pin.
- Loosen ① bolts.
- Slide the axle clamps ② and ③ until they click ④.
- Ensuring the rear wheels are parallel,
 - Chap. Rear wheels, Ensuring the rear wheels are parallel,
 - Chap. Front wheels, Setting error angle.
- Tighten ① bolts.
- Perform the same setting on both sides.

For a higher rear seat heights:

- Loosen ① bolts.
- Slide axle clamps ② and ③ to the required distance.
- Tighten ① bolts.
- Loosen ③ threaded pin.
- Move sliding blocks ④ in the vertical brace until they click ⑤ downward.
- Tighten ③ threaded pin.
- Loosen ① bolts once again.
- Ensuring the rear wheels are parallel,
 - Chap. Rear wheels, Ensuring the rear wheels are parallel,
 - Chap. Front wheels, Setting error angle.
- Tighten ① bolts again.
- Perform the same setting on both sides.



① → 7 Nm (high-strength)

③ → 3 Nm (low-strength)



Adjusting the wheel position

At küschall®-factory assembly of the vertical brace to the seat plate standard provision **x** is made for 5 wheel positions, each 15 mm apart.

Possible wheel positions **x** during the küschall® workshop assembly:

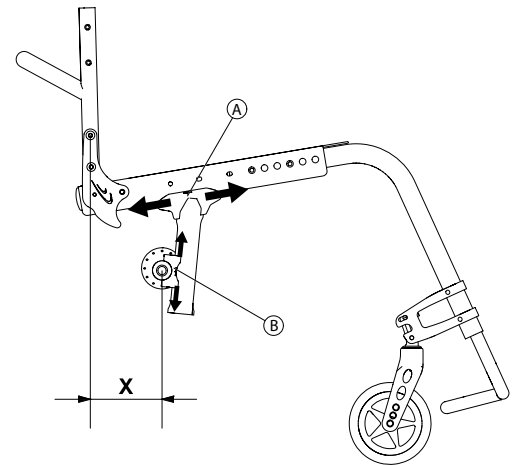
80 mm	95 mm	110 mm	125 mm	140 mm
-------	-------	--------	--------	--------

80 mm = less tippy

140 mm = very tippy

Ⓐ → Chap. Rear wheels, Tipping point adjustment.

Ⓑ → Chap. Rear wheels, Set axle position at the vertical brace.



Rear seat height based on wheel position and wheel size with fixed axle		Rear seat height (SHh)													
Rear wheel	Wheel position	370	380	390	400	410	420	430	440	450	460	470	480	490	
22"	140	Blue	Blue	Blue	Blue	Blue	Blue	Blue	Blue	Blue	Blue	Blue	Blue	Blue	
	125	Blue	Blue	Blue	Blue	Blue	Blue	Blue	Blue	Blue	Blue	Blue	Blue	Blue	
	110	Blue	Blue	Blue	Blue	Blue	Blue	Blue	Blue	Blue	Blue	Blue	Blue	Blue	
	95	Blue	Blue	Blue	Blue	Blue	Blue	Blue	Blue	Blue	Blue	Blue	Blue	Blue	
	80	Blue	Blue	Blue	Blue	Blue	Blue	Blue	Blue	Blue	Blue	Blue	Blue	Blue	
24"	140	White	White	Blue	Blue	Blue	Blue	Blue	Blue	Blue	Blue	Blue	Blue	Blue	
	125	White	White	Blue	Blue	Blue	Blue	Blue	Blue	Blue	Blue	Blue	Blue	Blue	
	110	White	White	Blue	Blue	Blue	Blue	Blue	Blue	Blue	Blue	Blue	Blue	Blue	
	95	White	White	Blue	Blue	Blue	Blue	Blue	Blue	Blue	Blue	Blue	Blue	Blue	
	80	White	White	Blue	Blue	Blue	Blue	Blue	Blue	Blue	Blue	Blue	Blue	Blue	
25"	140	White	White	White	Blue	Blue	Blue	Blue	Blue	Blue	Blue	Blue	Blue	Blue	
	125	White	White	White	Blue	Blue	Blue	Blue	Blue	Blue	Blue	Blue	Blue	Blue	
	110	White	White	White	Blue	Blue	Blue	Blue	Blue	Blue	Blue	Blue	Blue	Blue	
	95	White	White	White	Blue	Blue	Blue	Blue	Blue	Blue	Blue	Blue	Blue	Blue	
	80	White	White	White	Blue	Blue	Blue	Blue	Blue	Blue	Blue	Blue	Blue	Blue	
26"	140	White	White	White	White	Blue	Blue	Blue	Blue	Blue	Blue	Blue	Blue	Blue	
	125	White	White	White	White	Blue	Blue	Blue	Blue	Blue	Blue	Blue	Blue	Blue	
	110	White	White	White	White	Blue	Blue	Blue	Blue	Blue	Blue	Blue	Blue	Blue	
	95	White	White	White	White	Blue	Blue	Blue	Blue	Blue	Blue	Blue	Blue	Blue	
	80	White	White	White	White	Blue	Blue	Blue	Blue	Blue	Blue	Blue	Blue	Blue	

A: Vertical brace short

B: Vertical brace long (setting A also possible)



		Rear seat height SHh													
Rear wheel	Wheel position	370	380	390	400	410	420	430	440	450	460	470	480	490	
22"	140	■	■	■	■	■	■	■	■	■	■	■	■	■	
	125	■	■	■	■	■	■	■	■	■	■	■	■	■	
	110	■	■	■	■	■	■	■	■	■	■	■	■	■	
	95	■	■	■	■	■	■	■	■	■	■	■	■	■	
	80	■	■	■	■	■	■	■	■	■	■	■	■	■	
24"	140	■	■	■	■	■	■	■	■	■	■	■	■	■	
	125	■	■	■	■	■	■	■	■	■	■	■	■	■	
	110	■	■	■	■	■	■	■	■	■	■	■	■	■	
	95	■	■	■	■	■	■	■	■	■	■	■	■	■	
	80	■	■	■	■	■	■	■	■	■	■	■	■	■	
25"	140	■	■	■	■	■	■	■	■	■	■	■	■	■	
	125	■	■	■	■	■	■	■	■	■	■	■	■	■	
	110	■	■	■	■	■	■	■	■	■	■	■	■	■	
	95	■	■	■	■	■	■	■	■	■	■	■	■	■	
	80	■	■	■	■	■	■	■	■	■	■	■	■	■	
26"	140	■	■	■	■	■	■	■	■	■	■	■	■	■	
	125	■	■	■	■	■	■	■	■	■	■	■	■	■	
	110	■	■	■	■	■	■	■	■	■	■	■	■	■	
	95	■	■	■	■	■	■	■	■	■	■	■	■	■	
	80	■	■	■	■	■	■	■	■	■	■	■	■	■	

A: Vertical brace short

B: Vertical brace long (setting A also possible)

Tipping point adjustment

The tipping point of the wheelchair can be adjusted by positioning the vertical brace on the seat plate.

Difficulty: ●○○

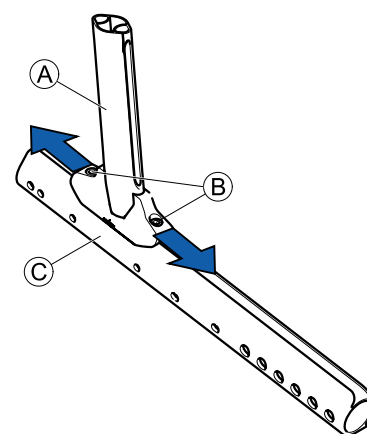
Tools: ● 5

- Remove the rear wheels, fold the backrest forward and place the wheelchair on its back.
- Slightly loosen Ⓑ bolts.
- Push vertical brace Ⓐ forwards or backwards on the seat plate Ⓒ to the desired position.
- Re-tighten Ⓑ bolts.

⚠ The parking brakes must be adjusted whenever the rear wheels are positioned.

- Carry out the same setting on both sides.

ℹ The scale can be used on the seat plate to help.



Ⓑ → 7 Nm (high-strength)

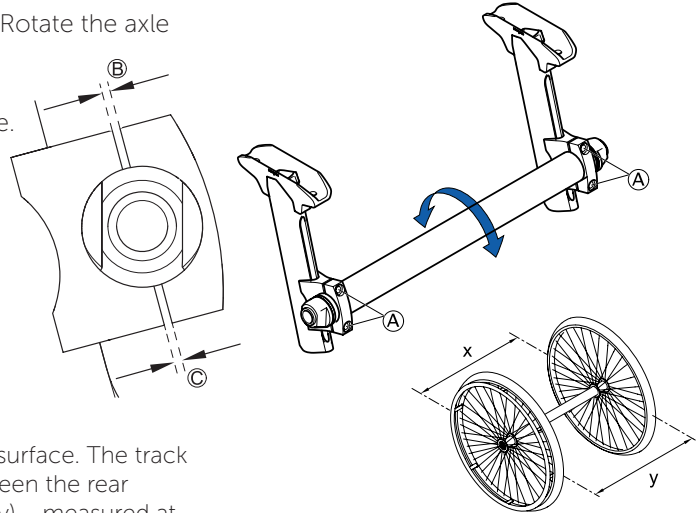


Ensuring the rear wheels are parallel

Difficulty: ●●○

Tools: ● 5

- Slightly loosen the bolts (A) on both axle clamps. Rotate the axle tube to set the correct position.
- Tighten the screws (A) on both sides. The distances (B) and (C) need to be the same size.



i This setting must be carried out on a horizontal surface. The track of the rear wheels is correct if the distance between the rear wheels is the same at the front and the back ($x=y$) – measured at the height of the centre of the axle.
With a Vario-Ax the rear wheels are set in the 7° position to ensure that they are parallel.

(A) → 7 Nm (high-strength)

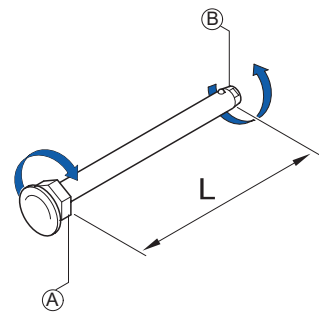
Adjusting the removable axle

Difficulty: ●●○

Tools: — C 11, 19

- Remove the rear wheel.
- Hold the end of the removable axle (B) using the straddle spanner.
- Adjust the length L of the removable axle by turning the nut (A). The length is correctly adjusted if the removable axle engages correctly when fixing the wheel and wheel has just minimal clearance.

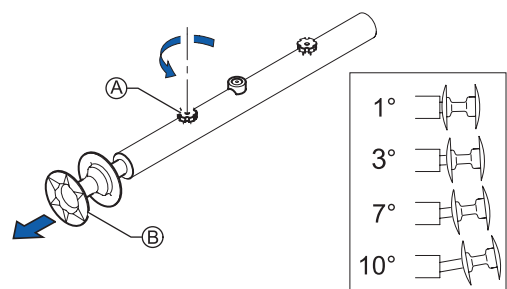
i The wheels must be exchanged (left to right side and vice versa) after adjusting both removable axles. The adjustment must now be checked or carried out again to ensure the wheels can be switched.



Adjusting the wheel camber on the Vario-Ax

Difficulty: ○○○

- Loosen the knurled screw (A) on the Vario-Ax.
- Pull the rear wheel by the wheel hub (B) until the desired wheel camber is set. Possible settings are 1, 3, 7 and 10 degrees.
- Tighten the knurled screw (A) again (not too tight)
- Carry out the same setting on both sides.





Repairing or changing an inner tube

Difficulty: ●○○

Tool: tire lever

- Remove the rear wheel and release any air from the inner tube.
- Lift one tire wall away from the rim using a bicycle tire lever. Do not use sharp objects such as a screwdriver which could damage the inner tube.
- Pull the inner tube out of the tire
- Repair the inner tube using a bicycle repair kit or, if necessary, replace the tube.
- Inflate the tube slightly until it becomes round.
- Insert the valve into the valve hole on the rim and place the tube inside the tire (the tube must lie right round the tire with no creases).
- Starting close to the valve, push the tire wall over the edge of the rim using both hands. When doing this, check all the way round to ensure that the inner tube is not trapped between the tire and the rim.
- Inflate the tube to its maximum operating pressure, → Table, chap. Rear wheels, Checking the tire pressure. Check that no air is escaping from the tire.

Repairing or changing a solid tire

Solid tires must be fitted by a qualified technician.



BRAKES

Positioning the parking brake

The brake (A) can be fastened in three different positions on the brake clamp (B).

Fitting / adjusting the parking brake

Difficulty: ●●○

Tools: ● 5

- Check that the wheels have sufficient air.
- Position the thread inserts (D) in the brake (B) clamp.
- Adjust and position the sliding blocks (C) from the front in the lower grooves of the seat plate .
- Position insert (C) in the brake clamp (A).
- Insert the bolts (F) with washers into the brake clamp (A).
- Thread break with bolts (E) and washers through the insert (C) and fasten to the brake clamp (B).
- Thread break and brake clamp with bolts (F) through the sliding block (C) and fasten onto the seat plate.



WARNING!

The parking brakes must be readjusted whenever the rear wheels are replaced or the wheel camber is changed.

The parking brake function is only guaranteed if the tire has the corresponding air pressure.



IMPORTANT!

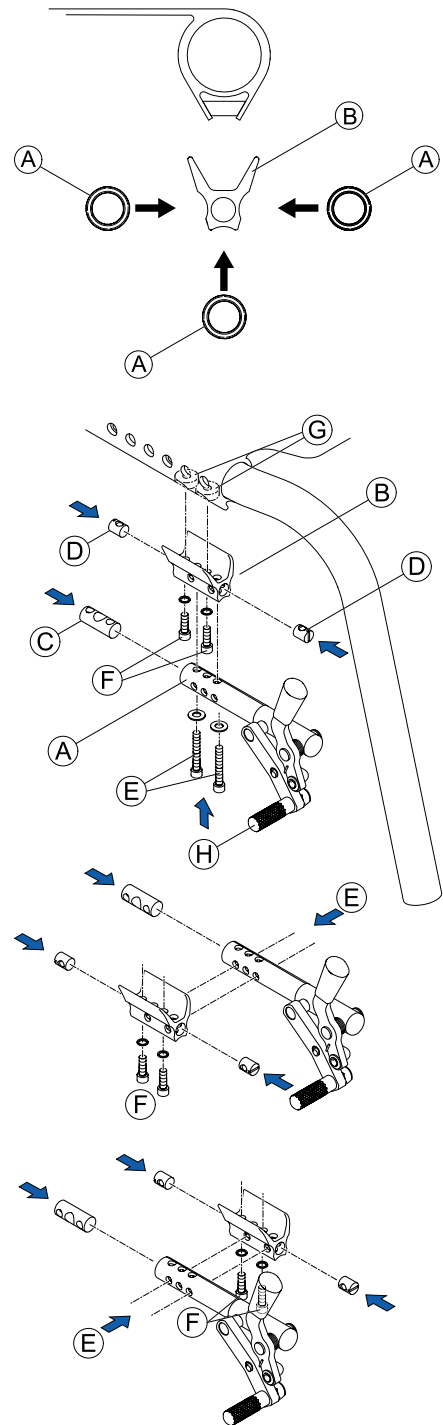
The force to apply the brake must be 60 N (maximum). Very little force is required for activating and deactivating the brake. If necessary, a brake lever extension can be mounted.

Visual check

Check that the parking brakes are positioned correctly. The brake is set correctly if the brake rod depresses the tire by no more than 4 mm when the brake is applied. (In the case of push/pull and standard brakes this will be the case when the brake shoe is approx. 25 mm away from the tire when released.)

Function check

Place a weighted wheelchair with parking brake engaged facing uphill and then facing downhill on a ramp with an incline of 7°. The wheelchair must not move.



Ⓔ → 7 Nm (high-strength)

Ⓕ → 4 Nm



OPTIONS & ACCESSORIES

Antitipper

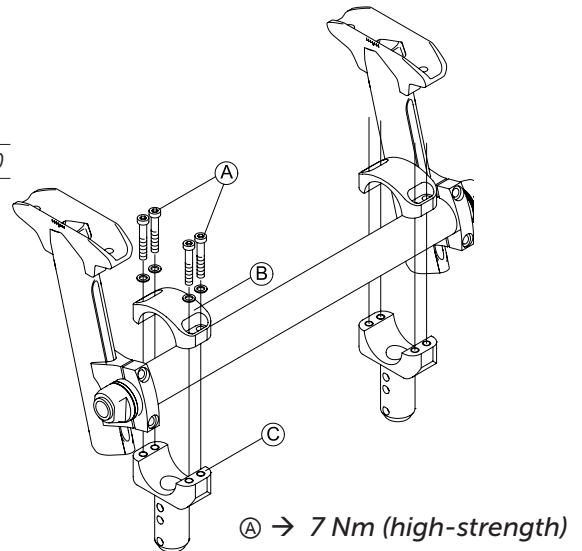
There are two different sizes of antitipper for both the left and the right sides.

Fitting an antitipper

Difficulty: ●●○

Tools: ● 5 ◻ 10

- Attach adaptation support ② and ③ with bolts ① to the axle.
- Using bolts attach anti-tipper ④ to the adaptation supporter ③. Measure the distance between the antitipper and the ground, → Chap. Options und accessories, Adjusting the height of the antitipper.

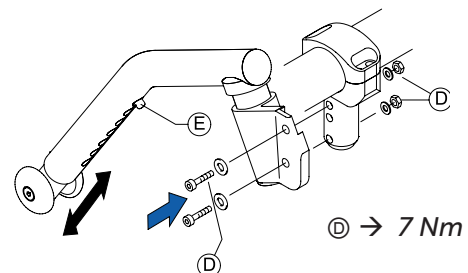


Adjusting the length of the antitipper

Difficulty: ○○○

Tools: ● 3, 5 ◻ 8

- Press the adjustment button ⑤ on the antitipper and pull the antitip tube into the desired position. Let the adjustment button latch into the adjacent hole.



Adjusting the height of the antitipper

Difficulty: ●○○

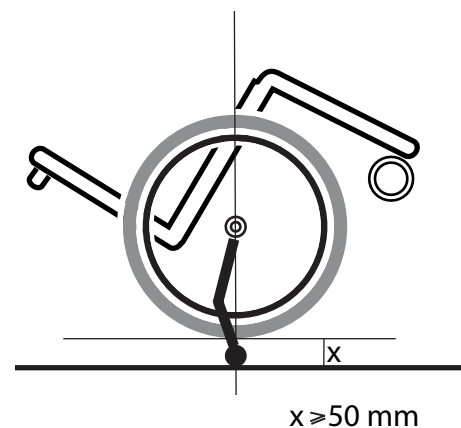
Tools: ● 5

- Loosen ① bolts.
- Turn adaptation supports ② and ③ with the antitipper on the axle until the desired height above the ground is achieved.
- Secure bolts ① with safety adhesive(Loctite™).

Function check:

The distance between the antitipper and the ground must be 40 - 60 mm. It must be easy to fold up the antitipper.

Tip the wheelchair backwards using the antitipper until the axle is perpendicular to the antitipper's point of contact with the ground. In this position, the distance between the rear wheel and the ground must be at least 50 mm.

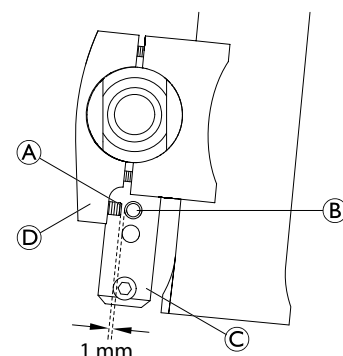


Adjusting the stop of the antitipper

Difficulty: ●○○

Tools: ● 3

- Adjust the headless bolt ① on the axle clamp ④ such that the distance to the adjustment screw ② in the adaptation support ③ is 1 mm.






Active antitipper

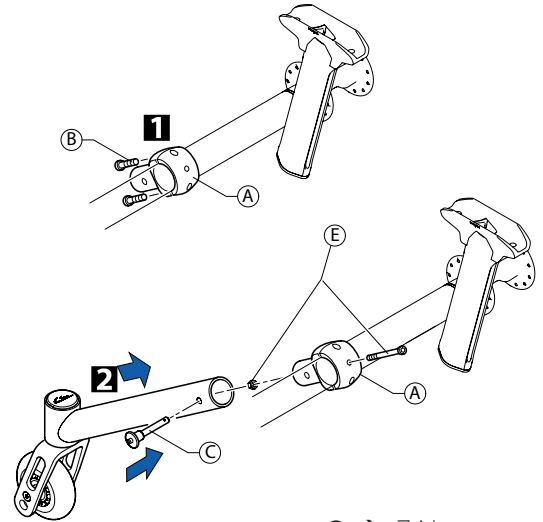
Fitting and adjusting an active antitipper

Difficulty: ●●●

Tools: ● 3, 5 8

- 1 Fit the holder (A) to the axle tube. Here, only lightly tighten the screws (B).
 - 2 Remove the QuickPin (C), slide the active antitipper over the holder and reinsert the QuickPin.
- Turn the antitipper so that it is the desired distance from the ground.
 - Carefully remove the antitipper so that the position of the holder (A) does not change.
 - Tighten the screws (B).
 - For the aluminium axle, not for the Vario-Ax: Once the holder (A) is correctly positioned, drill into the axle from both sides through the corresponding hole in the holder (A) and insert the screw connection (E).

 The active antitipper cannot be fitted to the carbon axle.



B → 7 Nm

E → 7 Nm

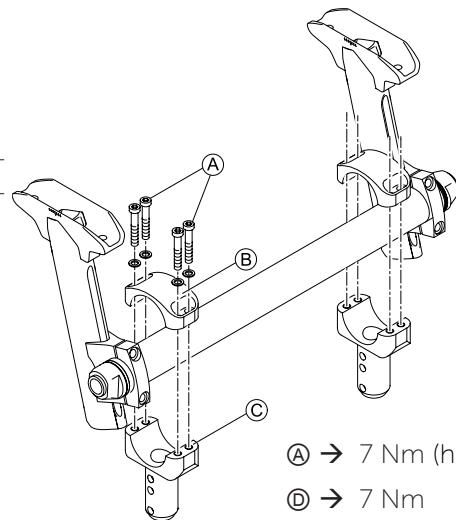
Transit wheels

Fitting and adjusting transit wheels

Difficulty: ●●○

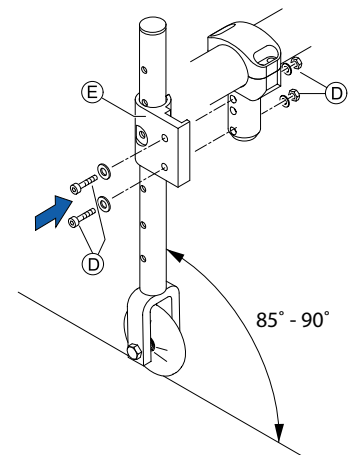
Tools: ● 3, 5 8

- Attach adaptation supports (B) and (C) with bolts (A) to the axle.
- Attach transit wheels (E) with the bolts (D) to the adaptation supporter (C).
- Fit a transit wheel on both sides.
- Setting angle and fasten (A) bolts.



A → 7 Nm (high-strength)

D → 7 Nm





Fitting the posture belt

Difficulty: ●○○

Tools: ● 5 ◻ 10

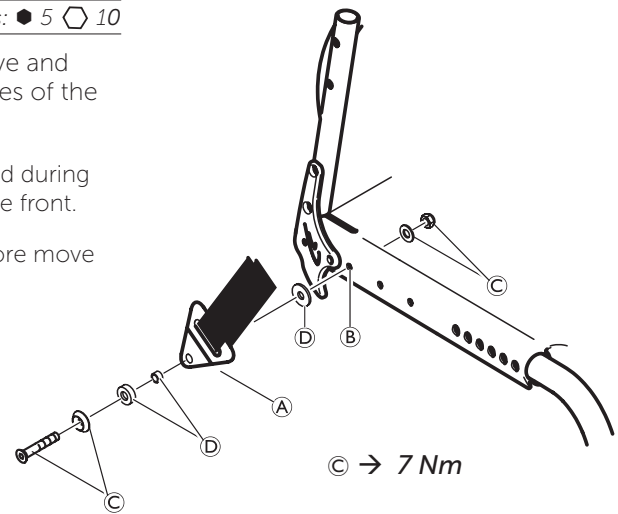
- Secure the steel strap **A** to parts **D** (rubber washer, sleeve and washer) and bolt **C** through the borehole **B** on both sides of the carbon plate.



Ensure that the webbing of the posture belt is not twisted during assembly and the locking mechanism shows towards the front.



The steel strap is mounted with a sleeve and can therefore move radially.





Küschall AG
Benkenstrasse 260
CH-4108 Witterswil
kueschall@invacare.com
www.kuschall.com

Service manual
KÜSCHALL ADVANCE
English | 2018-01

küschall[®] distributors

Belgium & Luxemburg: Invacare nv • Autobaan 22 • B-8210 Loppem

Tel: (32) (0)50 83 10 10 • Fax: (32) (0)50 83 10 11 • belgium@invacare.com • www.invacare.be

Danmark: Invacare A/S • Sdr. Ringvej 37 • DK-2605 Brøndby

Tel: (45) (0)36 90 00 00 • Fax: (45) (0)36 90 00 01 • denmark@invacare.com • www.invacare.dk

Deutschland: Invacare GmbH • Alemannenstraße 10 • D-88316 Isny

Tel: (49) (0)75 62 7 00 0 • Fax: (49) (0)75 62 7 00 66 • kontakt@invacare.com • www.invacare.de

Eastern Europe, Middle East & CIS: Invacare EU Export • Kleiststraße 49 • D-32457 Porta Westfalica

Tel: (49) (0)57 31 754 540 • Fax: (49) (0)57 31 754 541 • webinfo-eu-export@invacare.com • www.invacare-eu-export.com

España: Invacare SA • c/Areny s/n • Poligon Industrial de Celrà • E-17460 Celrà (Girona)

Tel: (34) (0)972 49 32 00 • Fax: (34) (0)972 49 32 20 • contactsp@invacare.com • www.invacare.es

France: Invacare Poirier SAS • Route de St Roch • F-37230 Fondettes

Tel: (33) (0)2 47 62 64 66 • Fax: (33) (0)2 47 42 12 24 • contactfr@invacare.com • www.invacare.fr

Ireland: Invacare Ireland Ltd • Unit 5 Seatown Business Campus • Seatown Road • Swords • County Dublin – Ireland

Tel : (353) 1 810 7084 • Fax: (353) 1 810 7085 • ireland@invacare.com • www.invacare.ie

Italia: Invacare Mecc San s.r.l. • Via dei Pini 62 • I-36016 Thiene (VI)

Tel: (39) 0445 38 00 59 • Fax: (39) 0445 38 00 34 • italia@invacare.com • www.invacare.it

Nederland: Invacare BV • Galvanistraat 14-3 • NL-6716 AE Ede

Tel: (31) (0)318 695 757 • Fax: (31) (0)318 695 758 • nederland@invacare.com • www.invacare.nl

Norge: Invacare AS • Grensesvingen 9 • Postboks 6230 • Etterstad • N-0603 Oslo

Tel: (47) (0)22 57 95 00 • Fax: (47) (0)22 57 95 01 • norway@invacare.com • island@invacare.com • www.invacare.no

Österreich: Invacare Austria GmbH • Herzog Odilostrasse 101 • A-5310 Mondsee

Tel.: (43) 6232 5535 0 • Fax.: (43) 6232 5535 4 • info@invacare-austria.com • www.invacare.at

Portugal: Invacare Lda • Rua Estrada Velha • 949 • P-4465-784 Leça do Balio

Tel: (351) (0)225 1059 46/47 • Fax: (351) (0)225 1057 39 • portugal@invacare.com • www.invacare.pt

Sverige: Invacare AB • Fagerstagatan 9 • S-163 91 Spånga

Tel: (46) (0)8 761 70 90 • Fax: (46) (0)8 761 81 08 • sweden@invacare.com • finland@invacare.com • www.invacare.se

Suomi: Camp Mobility • Patamäenkatu 5 • 33900 Tampere

Tel: 09-35076310 • info@campmobility.fi • www.campmobility.fi

Schweiz/Suisse/Svizzera: Invacare AG • Benkenstrasse 260 • CH-4108 Witterswil

Tel.: (41) (0)61 487 70 80 • Fax.: (41) (0)61 487 70 81 • switzerland@invacare.com • www.invacare.ch

United Kingdom: Invacare Limited • Pencoed Technology Park,

Pencoed, Bridgend CF35 5AQ • Switchboard Tel: (44) (0)1656 776 200, Fax: (44) (0)1656 776 201 •

Customer services Tel: (44) (0) 1656 776 222 • Fax: (44) (0) 1656 776 220 • UK@invacare.com • www.invacare.co.uk

Australia: Invacare Australia Pty Ltd • ABN 45 074 676 378, PO Box 5002, 1 Lenton Place, North Rocks, NSW 2151, Australia •

Freephone: 1800 069 042, Fax: 02 8839 5353 • E-mail: sales@invacare.com.au • Web: www.invacare.com.au

New Zealand: Invacare New Zealand • PO Box 62-124, 4 Westfield Place, Mt. Wellington, Auckland, New Zealand •

Freephone: 8000 468 222, Freefax: 0800 807 788 • E-mail: sales@invacare.co.nz • Web: www.invacare.co.nz